

Customer Information Sheet

DRAWING No.: M20-783XXX

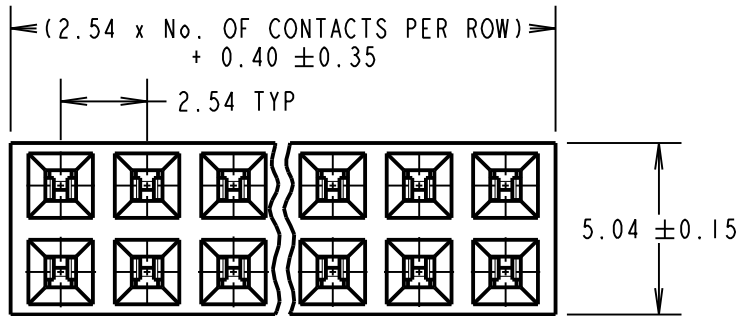
IF IN DOUBT - ASK



NOT TO SCALE

THIRD ANGLE PROJECTION

ALL DIMENSIONS IN mm



ORDER CODE:

M20-783XXX

No. OF CONTACTS PER ROW: _____
02 TO 40

FINISH: _____

42 = SELECTIVE GOLD + 100% TIN
46 = 100% TIN

SPECIFICATION:

MATERIAL:

MOULDING = PA6T UL94V-0, BLACK
CONTACTS = PHOSPHOR BRONZE

FINISH:

42 = GOLD FLASH ON CONTACT AREA,
100% TIN ON TAILS.

46 = 100% TIN

ELECTRICAL:

CURRENT RATING = 3A

VOLTAGE PROOF = 1000V AC

CONTACT RESISTANCE = 20mΩ MAX

INSULATION RESISTANCE = 1,000MΩ MIN

ENVIRONMENTAL:

TEMPERATURE RANGE = -40° TO +105°

MECHANICAL:

INSERTION FORCE = 1.96N MAX

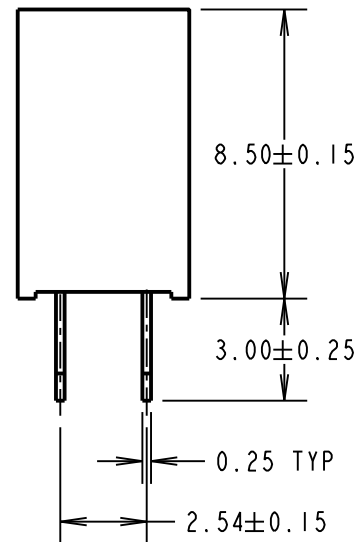
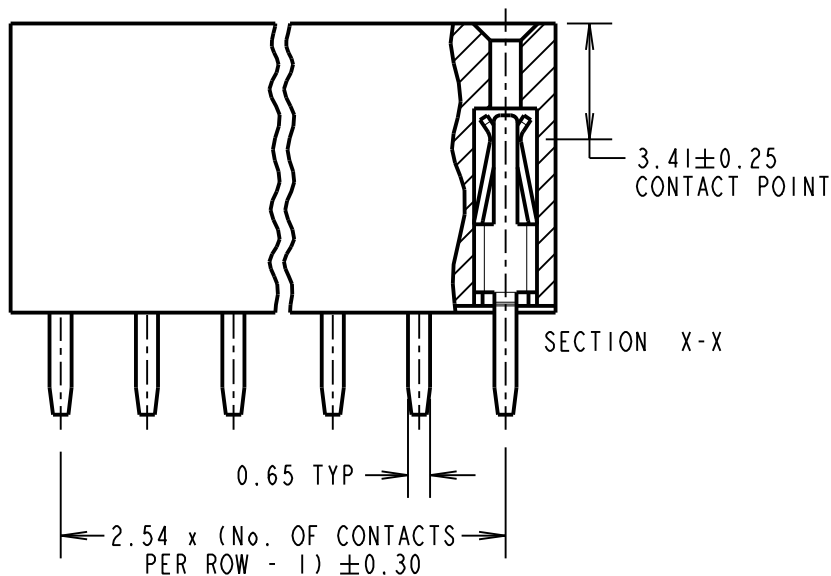
WITHDRAWAL FORCE = 0.29N MIN

DURABILITY = 300 OPERATIONS

PACKING:

TUBE

FOR COMPLETE SPECIFICATION SEE COMPONENT SPECIFICATION C001XX (LATEST ISSUE).



NOTES:

1. RECOMMENDED PCB HOLE SIZE = \varnothing 1.00mm

SB	12	29.10.12	11735
NAME	ISS.	DATE	C/NOTE
APPROVED:		S.BENNETT	
CHECKED:		S.FLOWER	
DRAWN:		J.EVANS	
CUSTOMER REF.:			
ASSEMBLY DRG:			

HARWIN

www.harwin.com
technical@harwin.com

THIS DRAWING AND ANY INFORMATION OR DESCRIPTIVE MATTER SET OUT HEREON ARE CONFIDENTIAL AND COPYRIGHT PROPERTY OF THE HARWIN GROUP AND MUST NOT BE DISCLOSED, LOANED, COPIED OR USED FOR MANUFACTURING, TENDERING OR FOR ANY OTHER PURPOSE WITHOUT THEIR WRITTEN PERMISSION.

TOLERANCES

X. = ±1mm
X.X = ±0.25mm
X.XX = ±0.10mm
X.XXX = ±0.01mm

ANGLES = ±5°
UNLESS STATED

MATERIAL:

SEE ABOVE

FINISH: SEE ABOVE

S/AREA: mm²

TITLE:

2.54mm PITCH DIL VERTICAL
PC TAIL SOCKET ASSEMBLY

DRAWING NUMBER:

M20-783XXX

SHT
2 OF 2