

**120** mm sq.

# San Ace 120L



## General Specifications

- Material ..... Frame: Aluminum,  
Impeller: Plastics (Flammability: UL94V-1)
- Expected Life ..... Refer to specifications (L10:Survival rate: 90% at 60°C ,  
rated voltage, and continuously run in a free air state)
- Lead Wire ..... ⊕red ⊖black or blue (Sensor) yellow
- Storage Temperature ..... -30°C to +70°C (Non-condensing)

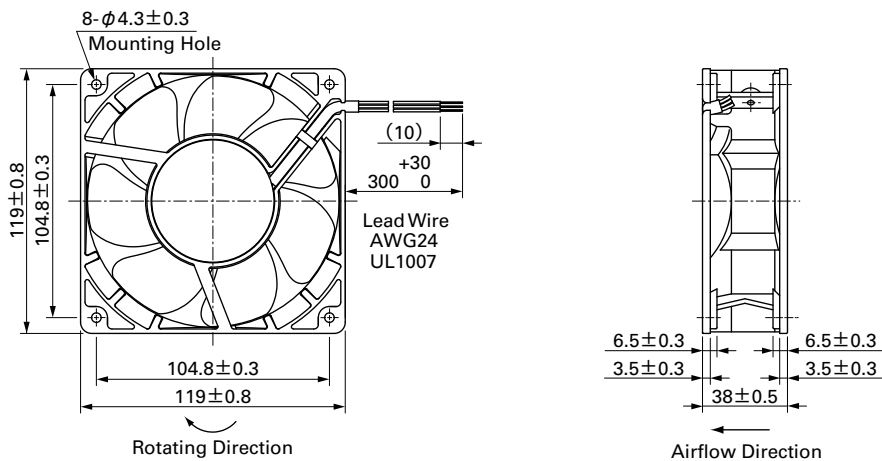
**120×120×38mm** (Mass : 370g) **9GL type**

## Specifications The following nos. have pulse sensors.

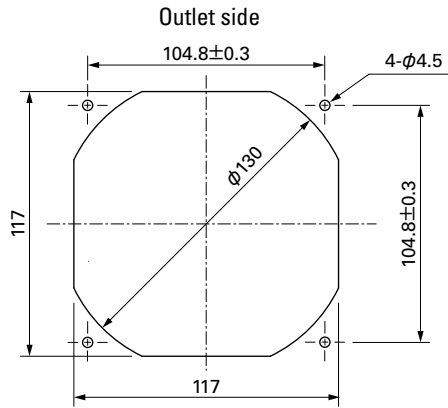
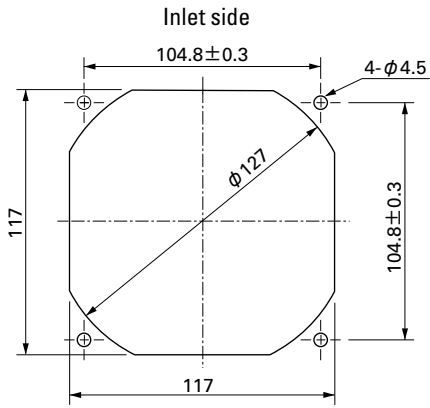
Model No.	Rated Voltage [V]	Operating Voltage Range [V]	Rated Current [A]	Rated Input [W]	Rated Speed [min <sup>-1</sup> ]	Max. Airflow [m <sup>3</sup> /min] [CFM]	Max. Static Pressure [Pa] [inchH <sub>2</sub> O]	SPL [dB(A)]	Operating Temperature [°C]	Expected Life [h]	
9GL1212G101	12	10.2 to 13.8	0.98	11.8	3,600	3.88 137	135 0.542	49	- 20 to + 70	80,000/60°C	
9GL1212E101			0.61	7.32	3,100	3.34 118	100 0.402	46		100,000/60°C	
9GL1212H101		7 to 13.8	0.38	4.56	2,600	2.80 99	70.4 0.283	39		80,000/60°C	
9GL1212F101			0.28	3.36	2,280	2.45 87	54.2 0.218	36		100,000/60°C	
9GL1212M101			0.21	2.52	1,950	2.10 74	39.6 0.159	32		80,000/60°C	
9GL1224G101	24	20.4 to 27.6	0.50	12.0	3,600	3.88 137	135 0.542	49		- 20 to + 70	80,000/60°C
9GL1224E101			0.34	8.16	3,100	3.34 118	100 0.402	46			100,000/60°C
9GL1224H101		14 to 27.6	0.22	5.28	2,600	2.80 99	70.4 0.283	39			80,000/60°C
9GL1224F101			0.16	3.84	2,280	2.45 87	54.2 0.218	36			100,000/60°C
9GL1224M101			0.11	2.64	1,950	2.10 74	39.6 0.159	32			80,000/60°C
9GL1248G101	48	40.8 to 55.2	0.25	12.0	3,600	3.88 137	135 0.542	49	- 20 to + 70		80,000/60°C
9GL1248E101			0.17	8.16	3,100	3.34 118	100 0.402	46			100,000/60°C
9GL1248H101			0.11	5.28	2,600	2.80 99	70.4 0.283	39			80,000/60°C
9GL1248F101			0.09	4.32	2,280	2.45 87	54.2 0.218	36			100,000/60°C
9GL1248M101			0.07	3.36	1,950	2.10 74	39.6 0.159	32			80,000/60°C

Other sensor specifications are available as options. Please refer to the index (p. 506).

## Dimensions (unit: mm)



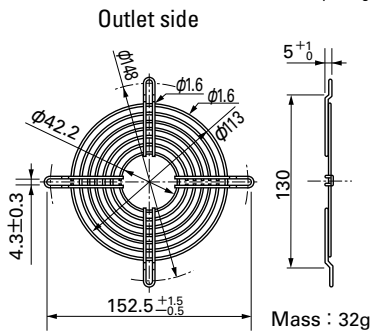
## Reference Dimensions of Mounting Holes and Vent Opening (unit: mm)



## Options (unit: mm)

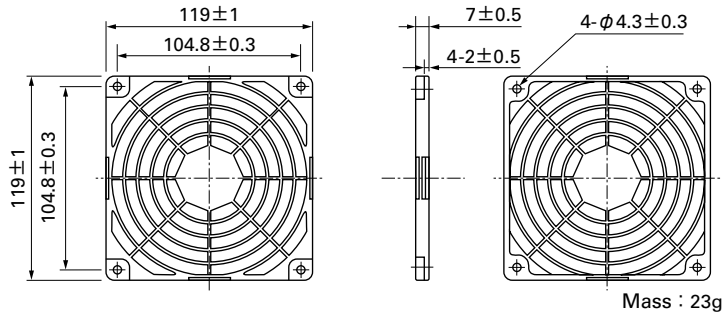
### Finger Guards

Model : 109-019C Surface treatment : Nickel-chrome plating (silver) Color  
: 109-019H : Cation electropainting (black)

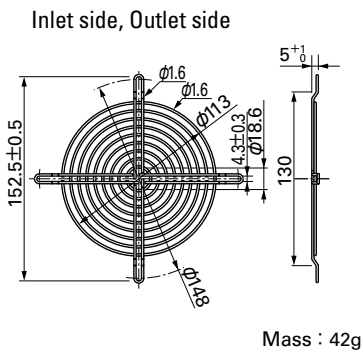


### Resin Finger Guards

Model : 109-1000G

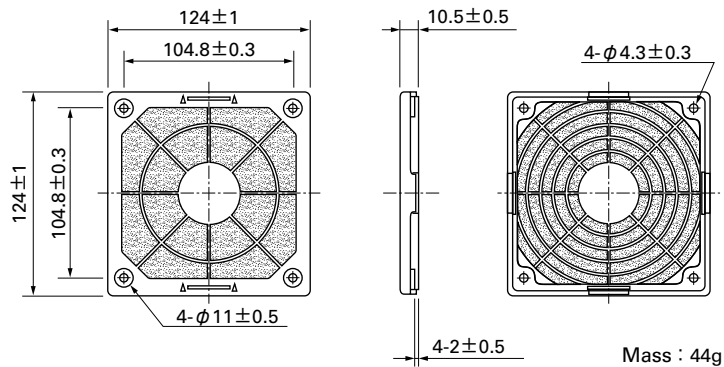


Model : 109-019E Surface treatment : Nickel-chrome plating (silver) Color  
: 109-019K : Cation electropainting (black)



### Resin Filter Kits

Model : 109-1000F13 (13PPI), 109-1000F20 (20PPI)  
: 109-1000F30 (30PPI), 109-1000F40 (40PPI)

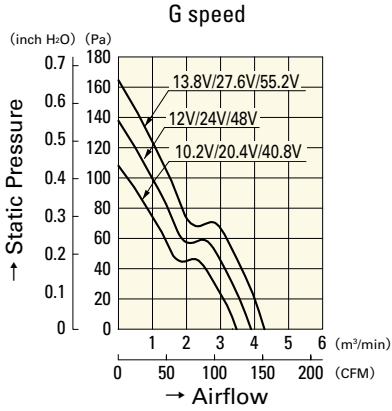


**120** mm sq.

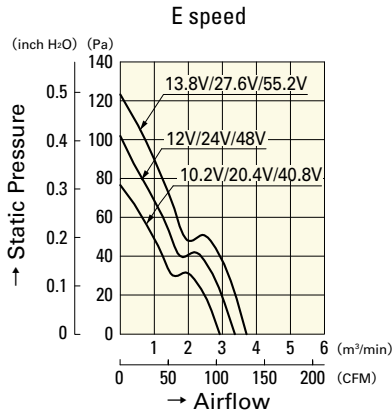
**San Ace 120L**

**120×120×38mm** (Mass : 370g)

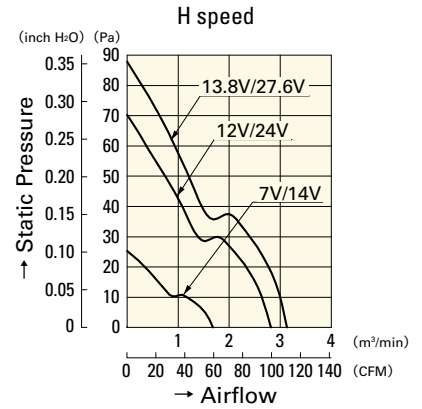
**Airflow - Static Pressure Characteristics**



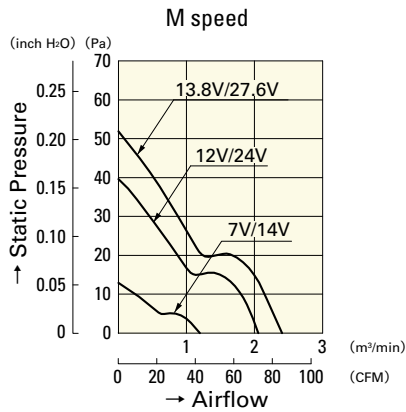
**9GL1212G101**  
**9GL1224G101**  
**9GL1248G101**



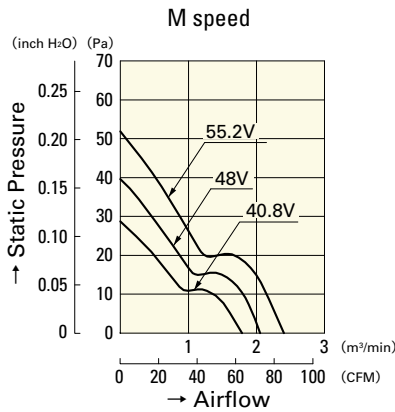
**9GL1212E101**  
**9GL1224E101**  
**9GL1248E101**



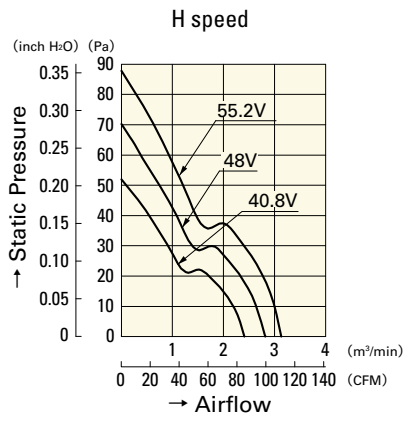
**9GL1212H101**  
**9GL1224H101**



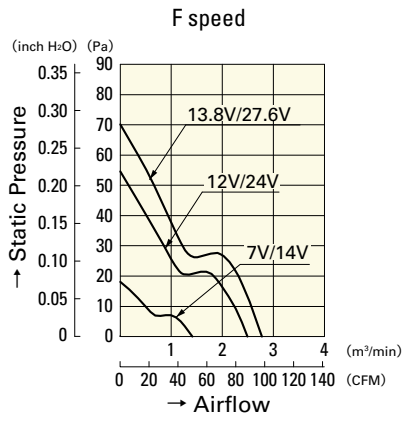
**9GL1212M101**  
**9GL1224M101**



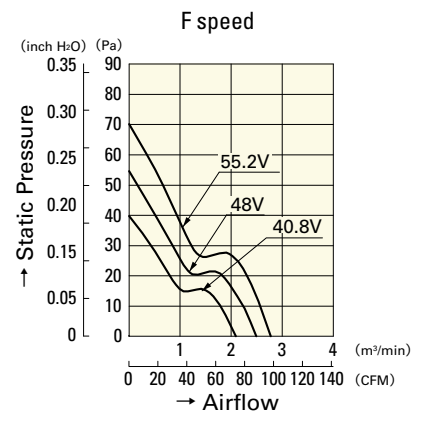
**9GL1248M101**



**9GL1248H101**



**9GL1212F101**  
**9GL1224F101**



**9GL1248F101**