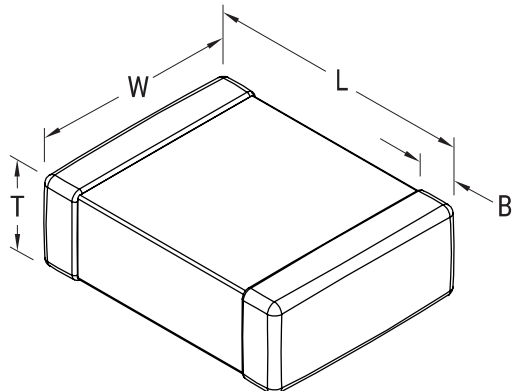



KEMET Part Number: M3253507E2X475KRMB
(C1812K475K8RNL)

SMD MIL X7R PRF32535, Ceramic, Military/High Reliability, 4.7 uF, 10%, 10 VDC, X7R, SMD, Conformal, Military, Low ESR, MIL-PRF-32535, N/A, 1812



Dimensions	
L	4.52mm +/-0.3mm (0.178 in +/-0.012 in)
W	3.2mm +/-0.3mm (0.126 in +/-0.012 in)
T	2.79mm MAX (0.11 in MAX)
B	0.61mm +/-0.46mm (0.024 in +/-0.018 in)

Packaging Specifications	
Weight:	216 mg
Packaging:	Waffle
Packaging Quantity:	80

General Information	
Supplier:	KEMET
Series:	SMD MIL X7R PRF32535
Style:	SMD Chip
Description:	SMD, Conformal, Military, Low ESR, MIL-PRF-32535
RoHS:	No
Prop 65:	 WARNING: Cancer and reproductive harm - www.p65warnings.ca.gov
REACH:	SVHC (Pb - CAS 7439-92-1)
Termination:	Solder Plated
Failure Rate:	N/A
Qualifications:	MIL-PRF-32535
Notes:	2mm Pitch T&R packaging option will double quantity. Only for 0603 Chip Size
Chip Size:	1812

Specifications	
Capacitance:	4.7 uF
Capacitance Tolerance:	10%
Voltage DC:	10 VDC
Dielectric Withstanding Voltage:	25 V
Temperature Range:	-55/+125C
Temperature Coefficient:	X7R
Dissipation Factor:	5.00% 1kHz 25C
Aging Rate:	0% Loss/Decade Hour
Insulation Resistance:	110 MOhms