

4

3

2

1

THIS DRAWING IS UNPUBLISHED.

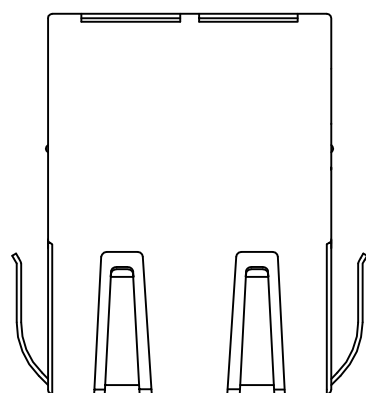
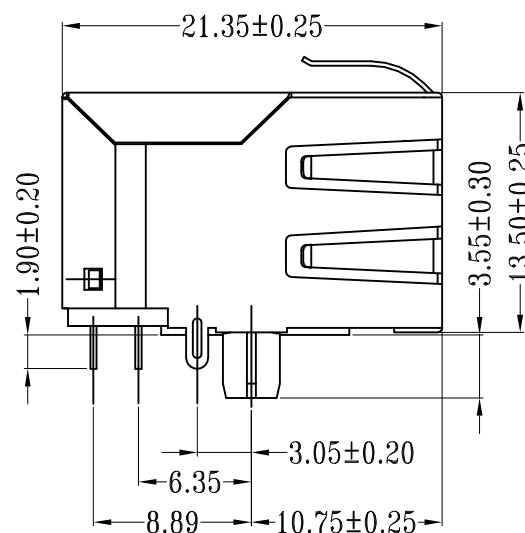
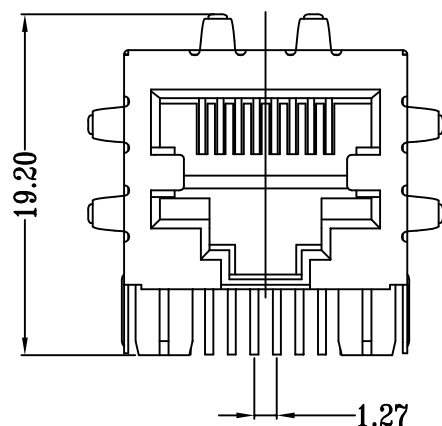
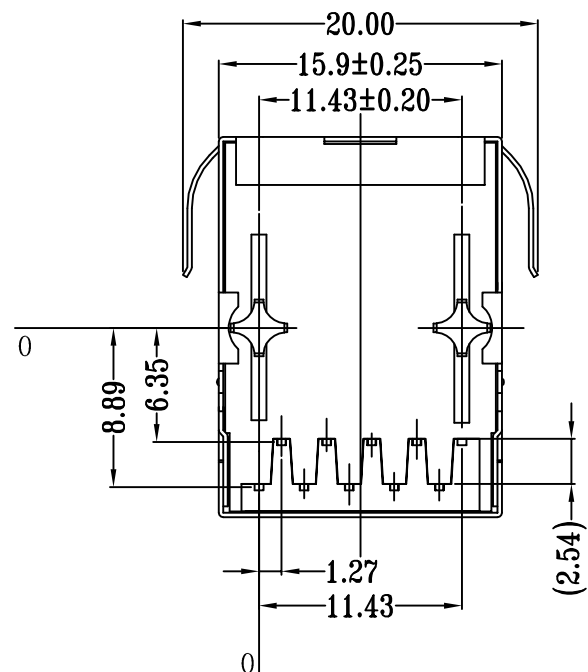
RELEASED FOR PUBLICATION

ALL RIGHTS RESERVED.

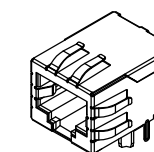
© COPYRIGHT - By -

REVISIONS

P	LTR	DESCRIPTION	DATE	DWN	APVD
	B2	REV. PER PCN E-17-002286	28FEB2017	GCM	MSZ


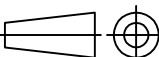


- 1 CONNECTOR MATERIAL:
HOUSING: LCP BLACK UL94 V-0
INSERT: LCP BLACK UL94 V-0
SHIELD: BRASS
SHIELD PLATING: NICKEL
CONTACT: COPPER ALLOY
CONTACT PLATING: SELECTIVE GOLD, MIN. 0.76µm (30µinch) IN CONTACT AREA
OVER MIN. 1.27µm (50µinch) NICKEL
SOLDER PIN PLATING: 3.05µm (120µinch) TIN OVER 1.02µm (40µinch) NICKEL OVER ALL
SHIELDING PIN PLATING: NICKEL
- 2 PIN NOT ELECTRICALLY CONNECTED MAYBE OMITTED SEE ELECTRICAL CIRCUIT DIAGRAM FOR OMITTED PINS
- 3 RJ45 CAVITIES CONFORM TO FCC RULES AND REGULATION PART 68
- 4 THE PART IS RECOMMENDED FOR REFLOW SOLDERING PROCESS PEAK
SOLDERING: TEMPERATURE MAX. +260° C, MAX. 10s
- 5 OPERATING TEMPERATURE: T = -40° C TO +85° C
- 6 STORAGE TEMPERATURE: T = -40° C TO +85° C
- 7 UNLESS OTHERWISE SPECIFIED, SEE TABLE FOR ALL DIMENSIONS TOLERANCES
- 8 JACK CONFIGURATION: 1 x 1
TAB DIRECTION: DOWN
- 9 PACKAGING: REEL (T+R) ACCORDING TO PACKAGING SPECIFICATION 107-18116



1:1

7 TABLE OF TOLERANCE (mm)	
RANGE	TOLERANCE
0-10	±0.15
>10-40	±0.25
>40-70	±0.30
>70	±0.40

THIS DRAWING IS A CONTROLLED DOCUMENT.		DWN 02AUG2016 GANESH C M	 TE Connectivity	
DIMENSIONS: mm		CHK 02AUG2016 FRANZ MUELLER		
TOLERANCES UNLESS OTHERWISE SPECIFIED:		APVD 02AUG2016 MARTIN SZELAG	NAME RJ45 JACK INT.MAG. 10/100 1x1	
		PRODUCT SPEC 108-94552	SIZE A3	
MATERIAL		APPLICATION SPEC 114-94447	CAGE CODE 00779	DRAWING NO C-2301994-4
FINISH		WEIGHT	RESTRICTED TO	
CUSTOMER DRAWING		SCALE 3:1		SHEET 1 of 3
				REV B2

THIS DRAWING IS UNPUBLISHED.

RELEASED FOR PUBLICATION

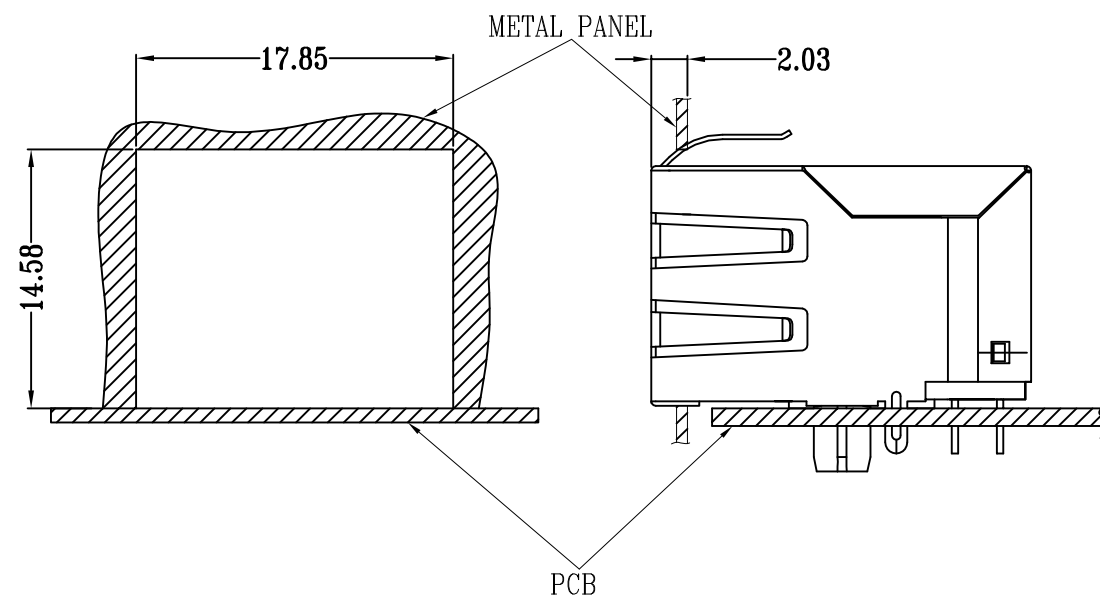
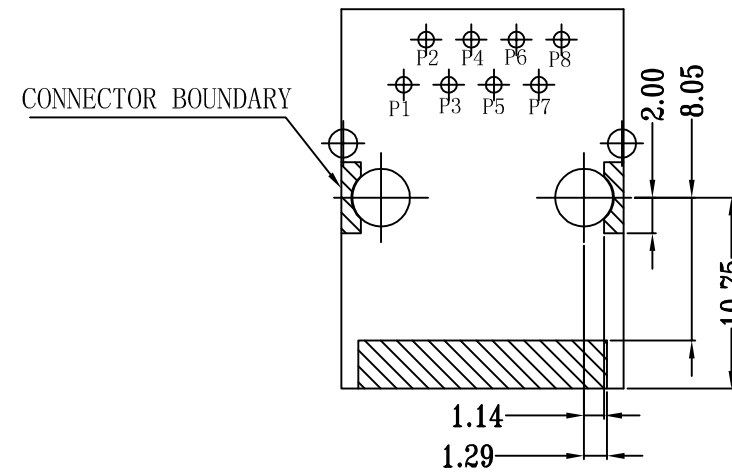
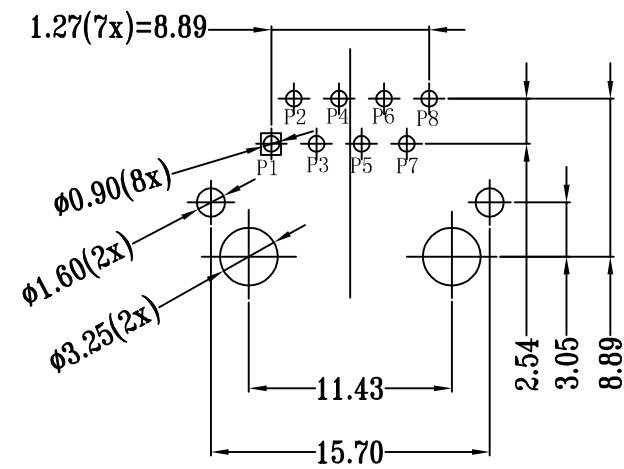
ALL RIGHTS RESERVED.

© COPYRIGHT - By -


REVISIONS

P	LTR	DESCRIPTION	DATE	DWN	APVD
-	-	SEE SHEET 1	-	-	-

SUGGESTED PCB LAYOUT



UNIT: mm
TOLERANCES: ±0.10

THIS DRAWING IS A CONTROLLED DOCUMENT.		DWN GANESH C M 02AUG2016	 TE Connectivity																
DIMENSIONS: mm		CHK FRANZ MUELLER 02AUG2016																	
TOLERANCES UNLESS OTHERWISE SPECIFIED:		APVD MARTIN SZELAG 02AUG2016	NAME RJ45 JACK INT.MAG. 10/100 1x1																
<table border="0"> <tr> <td>0 PLC</td><td>± -</td><td rowspan="4">7</td> </tr> <tr> <td>1 PLC</td><td>± -</td> </tr> <tr> <td>2 PLC</td><td>± -</td> </tr> <tr> <td>3 PLC</td><td>± -</td> </tr> <tr> <td>4 PLC</td><td>± -</td><td></td> </tr> <tr> <td>ANGLES</td><td>± -</td><td></td> </tr> </table>		0 PLC	± -	7	1 PLC	± -	2 PLC	± -	3 PLC	± -	4 PLC	± -		ANGLES	± -		PRODUCT SPEC 108-94552	SIZE A3	
0 PLC	± -	7																	
1 PLC	± -																		
2 PLC	± -																		
3 PLC	± -																		
4 PLC	± -																		
ANGLES	± -																		
MATERIAL		APPLICATION SPEC 114-94447	CAGE CODE 00779	DRAWING NO C=2301994-4															
FINISH		WEIGHT	RESTRICTED TO																
1		CUSTOMER DRAWING		SCALE 3:1															
1		SHEET 2 of 3		REV B2															

THIS DRAWING IS UNPUBLISHED.

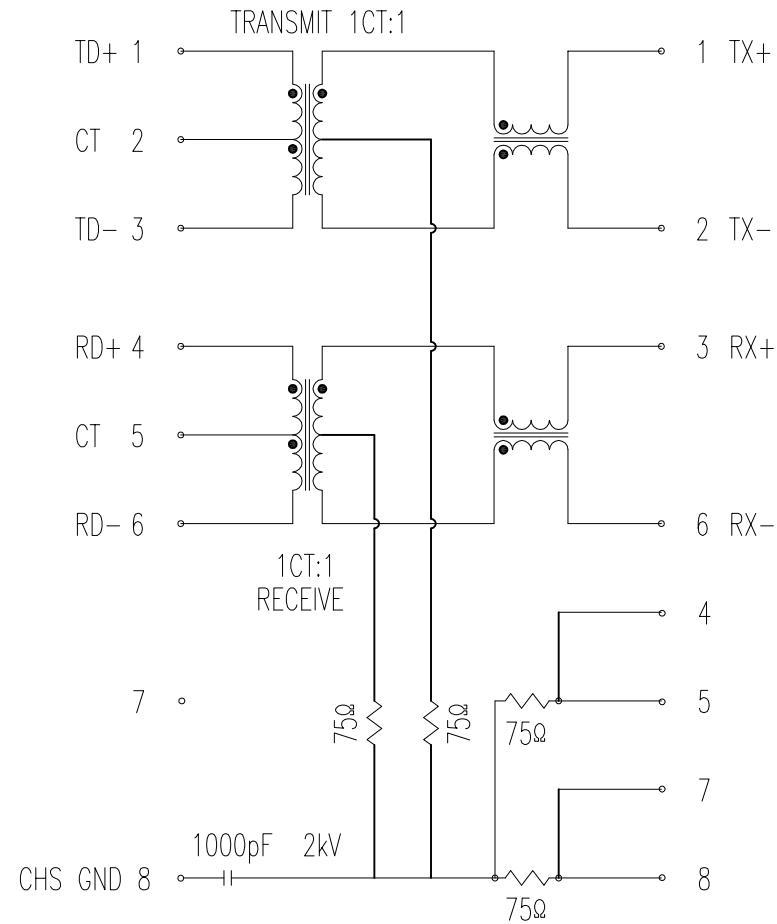
RELEASED FOR PUBLICATION

ALL RIGHTS RESERVED.

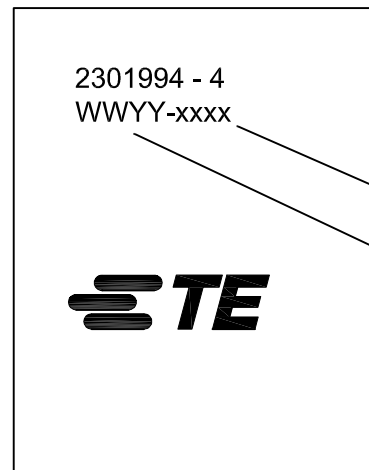
REVISIONS

P	LTR	DESCRIPTION	DATE	DWN	APVD
-	-	SEE SHEET 1	-	-	-

ELECTRICAL CIRCUIT DIAGRAM



- 1 TURN RATIO @100kHz: (P1~P3) : (J1~J2) = 1:1 ±2%
(P4~P6) : (J3~J6) = 1:1 ±2%
- 2 PRIMARY INDUCTANCE: 350μH MIN. @100kHz, 0.1V 8mA DC BIAS
- 3 DC RESISTANCE: 1.2 OHM MAX.
- 4 INSERTION LOSS: 1-100MHz -1.2dB MAX.
- 5 RETURN LOSS: 1-30MHz -16dB MIN.
30-60MHz -12dB MIN.
60-80MHz -10dB MIN.
- 6 CROSS TALK: 1-100MHz -30dB MIN.
- 7 COMMON TO COMMON MODE ATTENUATION: 1-100MHz -30dB MIN.
- 8 ISOLATION: PHY SIDE TO LINE SIDE: 1500VAC OR 2250VDC



2301994 - 4
WWYY-xxxx

CONTROL CODE

DATE CODE

"0213"

YY-YEAR

WW-WEEK

FCC

THIS DRAWING IS A CONTROLLED DOCUMENT.		DWN 02AUG2016 GANESH C M	TE Connectivity RJ45 JACK INT.MAG. 10/100 1x1	
DIMENSIONS: mm		CHK 02AUG2016 FRANZ MUELLER		
TOLERANCES UNLESS OTHERWISE SPECIFIED:		APVD 02AUG2016 MARTIN SZELAG	NAME	
0 PLC ± - 1 PLC ± - 2 PLC ± - 3 PLC ± - 4 PLC ± - ANGLES ± -		PRODUCT SPEC 108-94552	SIZE	
MATERIAL		APPLICATION SPEC 114-94447	CAGE CODE A300779	DRAWING NO C=2301994-4
FINISH		WEIGHT	RESTRICTED TO	
CUSTOMER DRAWING		SCALE 3:1	SHEET 3 of 3	REV B2