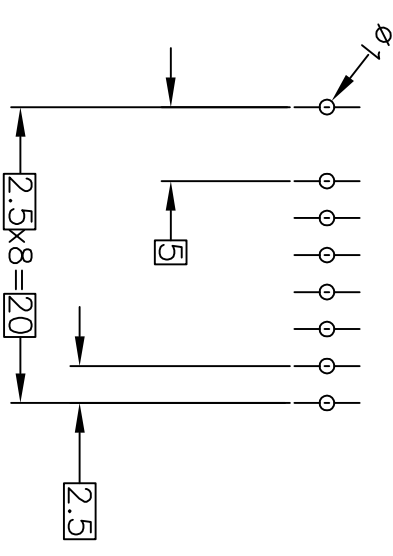
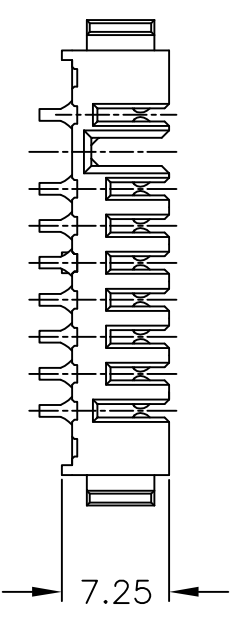
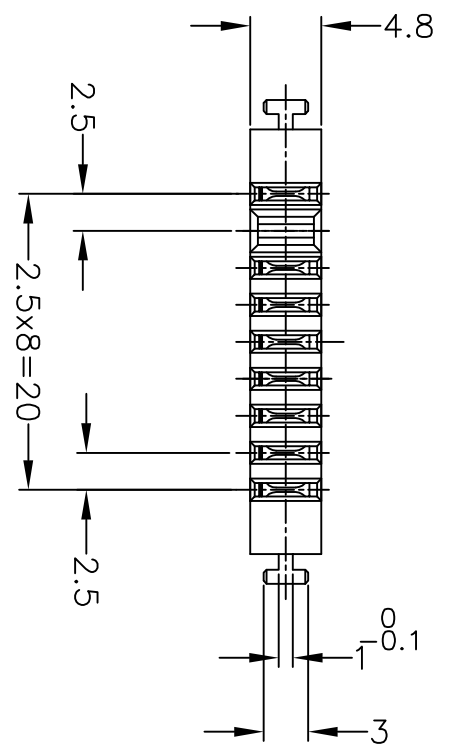
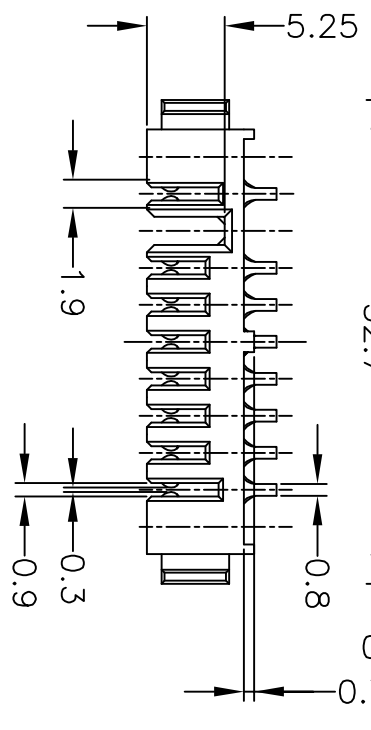
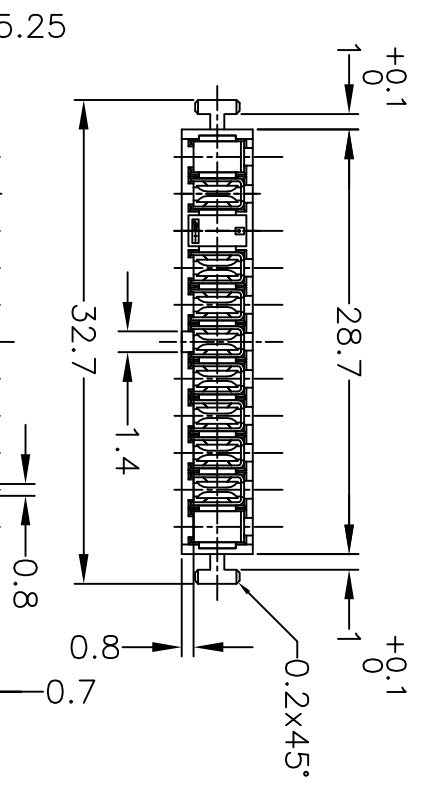


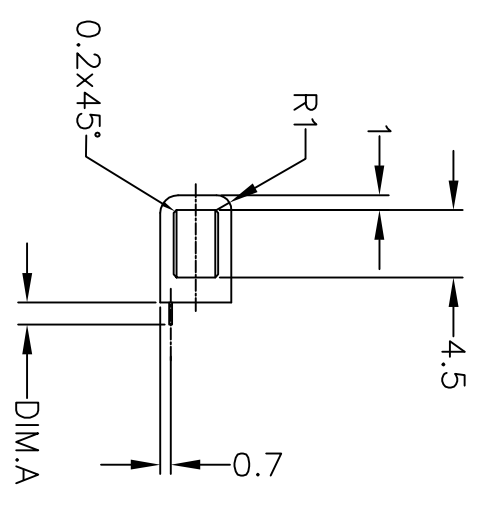
THIS DRAWING IS UNPUBLISHED.  
 RELEASED FOR PUBLICATION 2002.  
 © COPYRIGHT 2002 BY TYCO ELECTRONICS CORPORATION. ALL RIGHTS RESERVED.

LOC	DIST	REVISONS	
ES	00	P	LTR
		B	REVISED
		DESCRIPTION	
		ECR-07-024049	DATE
		100CT07	DWN
			APVD
			S.Y

1717478-1: AS SHOWN



基板取付参考寸法  
 REFERENCE P.C. BOARD LAYOUT  
 P.C. BOARD THK 0.8~1.2  
 (VIEW FROM CONNECTOR MOUNTING SIDE)



- △ 材料
  - ・ハウジング：熱可塑性樹脂、UL94V-0、黒
  - ・コンタクト：銅合金
  - ・仕上げ
  - ・コンタクト：ニッケル下地めっき  
接触部 金めっき  
半田付け部 銀めっき
- △ MATERIAL
  - ・ HOUSING: THERMOPLASTIC RESIN, UL94V-0, BLACK
  - ・ CONTACT: COPPER ALLOY
  - △ FINISH
    - ・ CONTACT: Ni ALL OVER UNDER PL.
    - GOLD PL. AT CONTACT AREA
    - TIN PL. AT LEAD AREA

WIRE RANGE 包含電線断面積	
INSULATION DIA 被覆外径	
2.0 MAX.	1717478-2
15 MAX.	1717478-1
DIM.A	PART NUMBER

THIS DRAWING IS A CONTROLLED DOCUMENT.	
DIMENSIONS: 単位： 耗 mm	TOLERANCES UNLESS OTHERWISE SPECIFIED: 一般公差
0 PLC	± 0.3
1 PLC	± 0.3
2 PLC	± 0.3
3 PLC	± 0.3
4 PLC	± 0.3
ANGLES	± 3°
FINISH 仕上	
MATERIAL 材料	
APPLICATION SPEC 取付適用規格	
WEIGHT	
RESTRICTED CUSTOMER	
DWN T. KATANO	29OCT03
CHK T. KIMURA	30OCT03
APVD K. IKEGAMI	30OCT03
PRODUCT SPEC 製品規格	
APPLICATION SPEC 取付適用規格	
NAME 名称	2.5mm PITCH BATTERY CONNECTOR RECEPTACLE ASSEMBLY 8POS.
SIZE	A3
CAGE CODE	300779
DRAWING NO 番号	1717478
SCALE 尺度	2:1
SHEET	1 of 1
REV	B