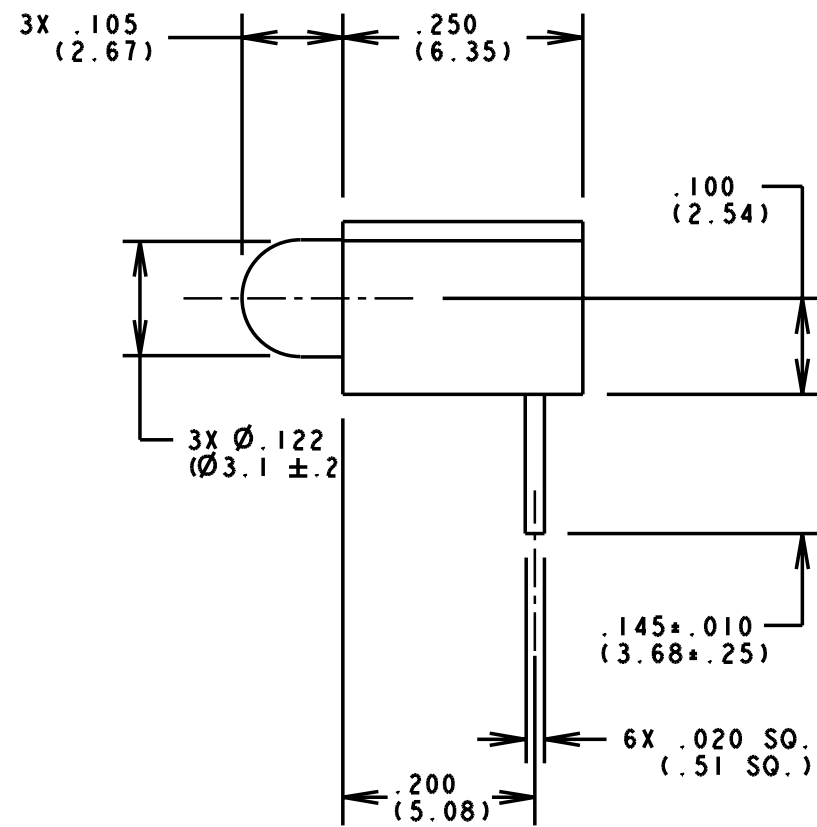
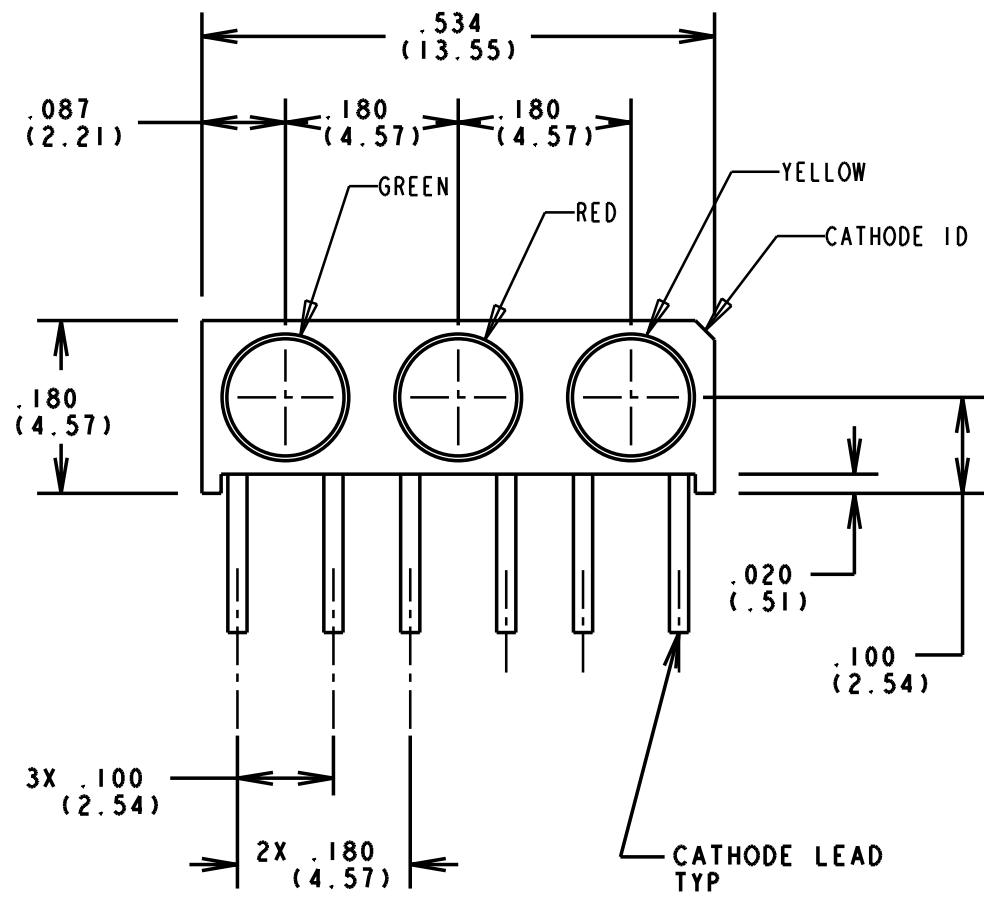
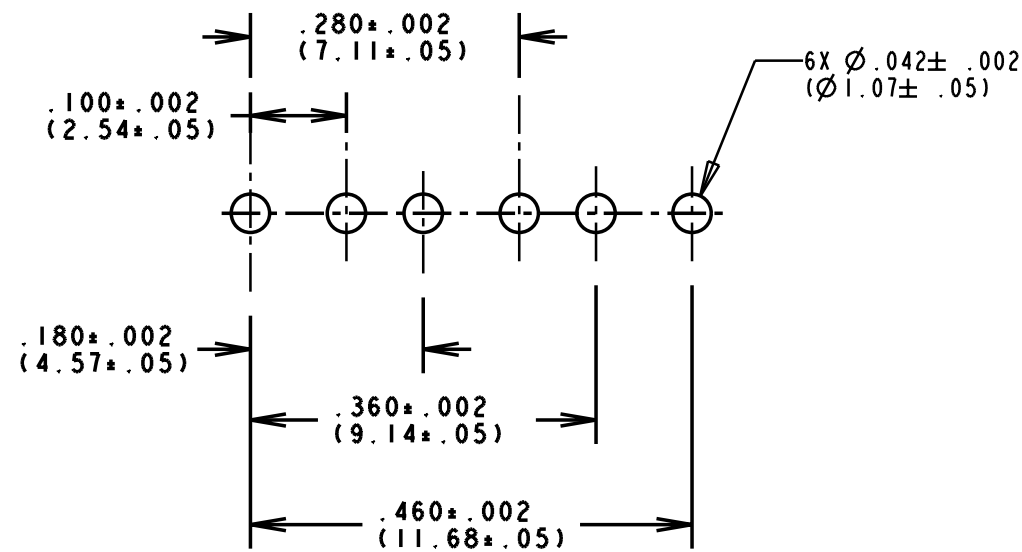


REV.	ECN NO.	REVISIONS	DRN.	CKD.	APP.	DATE
A	—	NEW RELEASE	TC			



NOTE:

- LED LEAD DIMENSIONS ARE MEASURED AT HOUSING EXIT.
- MILLIMETER DIMENSIONS SHOWN FOR REFERENCE ONLY.
- DIALIGHT PART NUMBER: 551-0003-816



RECOMMENDED PC BOARD HOLE PATTERN

OPERATING CHARACTERISTICS AT $T_A = 25^\circ\text{C}$

SYMBOL	PARAMETER	COLOR	MIN	TYP	MAX	UNITS	TEST COND.
V_F	FORWARD VOLTAGE	GREEN		2.1	3.0	V	$I_F = 10\text{ mA}$
		RED		2.0	3.0		
		YELLOW		2.1	3.0		
V_R		ALL	3			V	$I_R = 10\mu\text{A}$
λ_{PK}	PEAK WAVELENGTH	GREEN		563		nm	MEASURED AT PEAK
		RED		650			
		YELLOW		585			
I_V	LUMINOUS INTENSITY	GREEN	5.6	16.0		mcd	$I_F = 10\text{ mA}$
		RED	3.6	10.0			
		YELLOW	2.2	6.3			

THIS DRAWING AND THE CONTENTS HEREIN ARE CONFIDENTIAL AND THE SOLE PROPERTY OF DIALIGHT. REPRODUCTION OF THIS DRAWING OR CONSTRUCTION OF ANY PARTS WITHIN THIS DRAWING ARE FORBIDDEN WITHOUT THE WRITTEN CONSENT OF DIALIGHT.

SCALE 5:1	DRAWING NUMBER	REV
ALL DIM'S IN: INCHES	C-16583	A
TOLERANCES: UNLESS OTHERWISE SPECIFIED	TITLE	
FRACTIONS: $\pm 1/64$	MATERIAL	
DECIMALS (.XX): $\pm .020$	Dialight	
DECIMALS (.XXX): $\pm .015$	1913 ATLANTIC AVE. MANASQUAN, N.J. 08736	
ANGLES: $\pm 3^\circ$	SHEET OF	
FINISH:	FAMILY TABLE:	
FSCM 83330		