

# DATA SHEET

WIRELESS COMPONENTS

Ceramic Chip Antenna

ANT6230LL01R1575A

GPS

6230 Series



FEATURES

- Compact size
- High radiation efficiency
- Reflow process compatible
- RoHS compliant

APPLICATIONS

- Tablet
- Navigation device
- Telematics box
- Fleet management

ORDERING INFORMATION

All part numbers are identified by the series, packing type, material, size, antenna type, working frequency and packing quantity.

**PART NUMBER**

**ANT 6230 L L01 R 1575A**

(1) (2) (3) (4) (5) (6)

---

**(1) PRODUCT**

ANT = Antenna

---

**(2) SIZE**

6230 = 6.2 × 3.0 mm

---

**(3) ANTENNA TYPE**

L,F,A = Chip Antenna

---

**(4) SERIAL NO.**

L01

---

**(5) PACKING STYLE**

R = Tape and Reel

---

**(6) WORKING FREQUENCY**

1575 = 1.575GHz

---

**PHYCOMP CTC**

CAN4311763011582K

---

**I2NC**

431176301158

---

**SPECIFICATION**

Table 1

DESCRIPTION	VALUE
Centre Frequency	1.575GHz
Bandwidth	55 MHz(Typ.)
Return Loss	10 dB (min)
Polarization	Linear
Azimuth Beamwidth	Omni-directional
Peak Gain	2.52 dBi(Typ.)
Impedance	50 Ω
Operating Temperature	- 40~105 °C
Maximum Power	1 W
Termination	Ni / Sn (Environmentally-Friendly Leadless)
Resistance to Soldering Heats	260°C , 10sec.

**NOTE**

I. The specification is defined on Yageo evaluation board

**DIMENSIONS**

Table 2 Machinical Dimension

	DIMENSION
L (mm)	6.15 ±0.25
W (mm)	3.00 ±0.25
T (mm)	1.25 ±0.15
A (mm)	0.50 ±0.20

**OUTLINES**

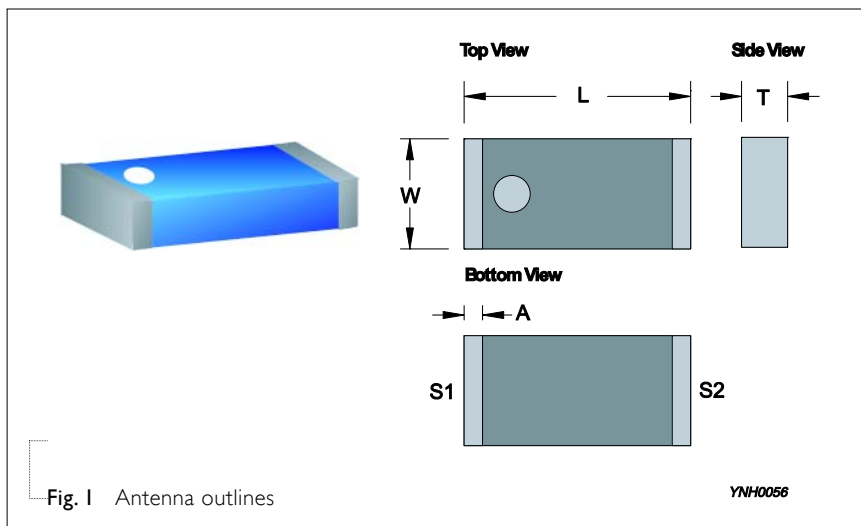
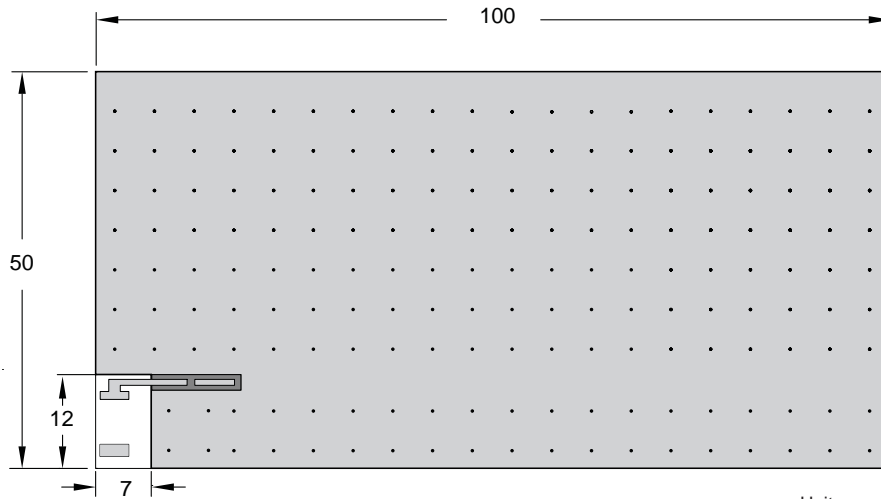


Table 3 Termination configuration

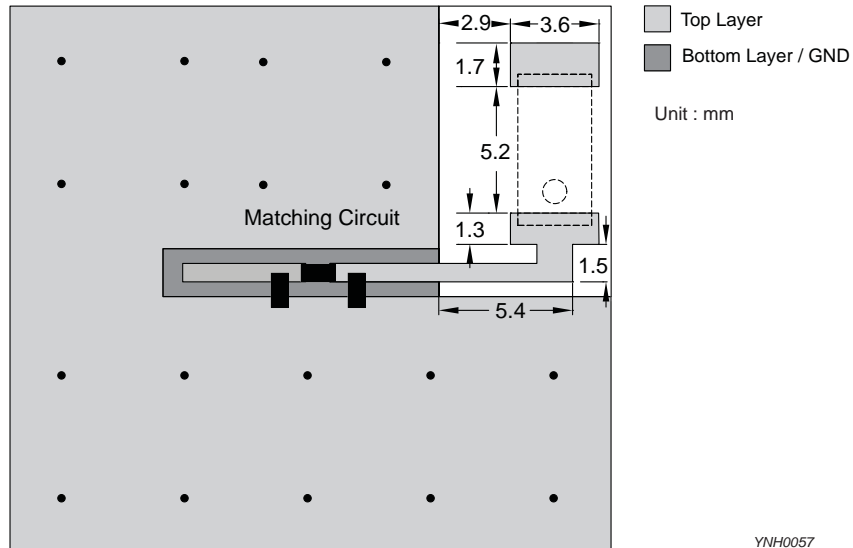
TERMINAL NAME	FUNCTION
S1	Feeding Point
S2	Soldering Point

**REFERENCE DESIGN OF EVALUATION BOARD**



**Fig. 3** Outlook and dimension of evaluation board

Unit : mm

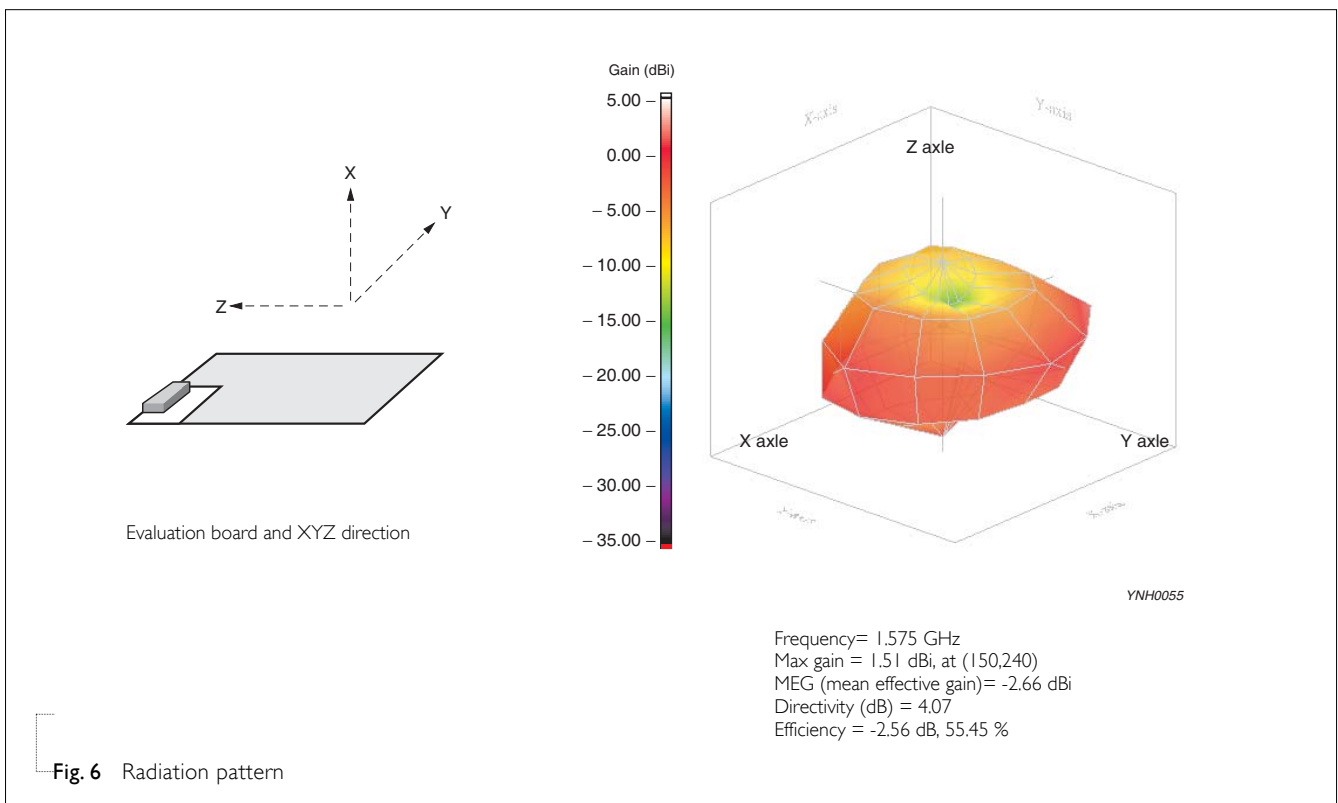
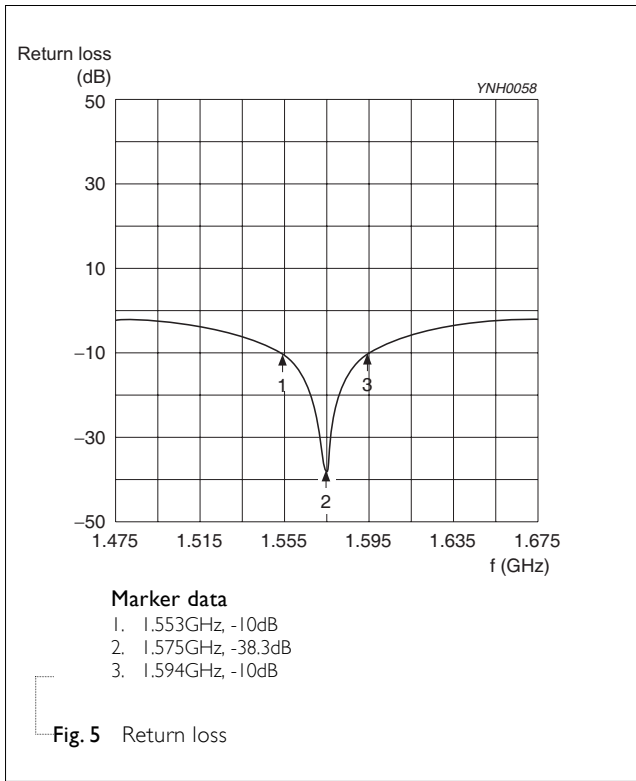


Top Layer  
 Bottom Layer / GND  
 Unit : mm

YNH0057

**Fig. 4** Details of soldering Pad

**ELECTRICAL PERFORMANCES**



REVISION HISTORY

REVISION	DATE	CHANGE NOTIFICATION	DESCRIPTION
Version 0	Feb. 05, 2013	-	- New datasheet for SMD type antenna, 1.575 GHz application, 6230 series