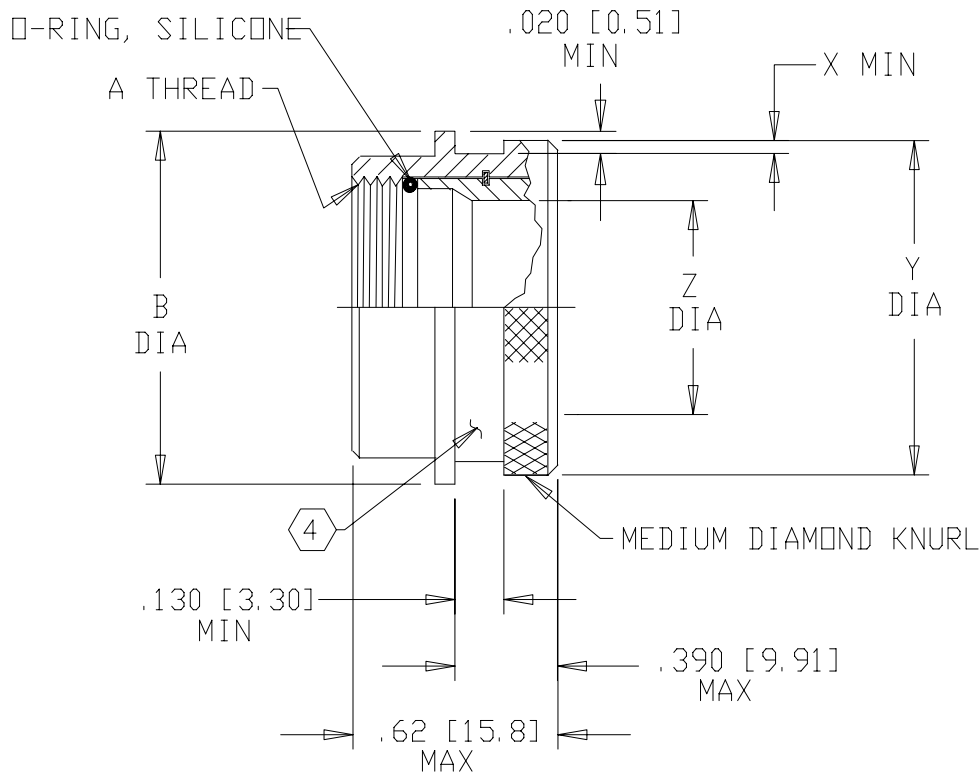


REVISIONS			
LTR	DESCRIPTION	DATE	APPROVED
E	REVISED PER ECN AD93055		




NOTES:

1. THIS PRODUCT IS DESIGNED TO TERMINATE A HEAT SHRINKABLE LIPPED BOOT TO A CONNECTOR.
2. FOR ADDITIONAL DIMENSIONS, ORDERING INFORMATION AND MODIFICATIONS, SEE CH00-0250-004.
3. ADAPTER TO BE PERMANENTLY MARKED WITH CODE IDENT. NO. AND PART NO. (E.G.: 06090-203M612-19B).
- ④ KNURL INSIDE BOOT GROOVE MAY BE SUPPLIED AT MANUFACTURE'S OPTION.
- ⑤ ADAPTER MATES TO MIL-C-26482 SERIES I, MS3110, MS3111, MS3116 CLASS E & F CONNECTORS.

If this document is printed it becomes uncontrolled.  
Check for the latest revision.

SPECIFICATION CONTROL DRAWING

UNLESS OTHERWISE SPECIFIED DIMENSIONS ARE IN INCHES. METRIC DIMENSIONS ARE IN BRACKETS.  DECIMALS .XXX ± — [ mm] .XX ± — [ mm] .X ± — [ mm]  ANGLES .X ± —	DRAWN E. GOLDY	DATE 06-04-93		Tyco Electronics Corporation 300 Constitution Drive Menlo Park, CA. 94025 U.S.A.		
	CHECKED	DATE				
	APPROVED W. C. GAY	DATE 06-16-93	TITLE ADAPTER, SOLID CODE 21			
	APPROVED	DATE	CAD NAME \ACAD12\203M6XX	SIZE CODE IDENT. NO. DWG. NO. REV A 06090 203M6XX E		
THIRD ANGLE PROJECTION			DO NOT SCALE THIS DWG			
			SHEET 1 OF 2			

BASE PART NUMBER	SHELL SIZE 	A THREAD CLASS 2B	B DIA MAX	X MIN	Y +.000 -.030 [+0.00] [-0.76] DIA	Z MIN
203M608	8	.438-28 UNEF	.77 [19.6]	.044 [1.12]	.704 [17.88]	.261 [6.63]
203M610	10	.562-24 UNEF	.89 [22.6]	↑	.829 [21.06]	.365 [9.27]
203M612	12	.688-24 UNEF	1.02 [25.9]	↓	.954 [24.23]	.511 [12.98]
203M614	14	.812-20 UNEF	1.14 [29.0]	.044 [1.12]	1.079 [27.41]	.605 [15.37]
203M616	16	.938-20 UNEF	1.27 [32.3]	.069 [1.75]	1.254 [31.85]	.730 [18.54]
203M618	18	1.062-18 UNEF	1.39 [35.3]	↑	1.316 [33.03]	.823 [20.91]
203M620	20	1.188-18 UNEF	1.52 [38.6]	↑	1.442 [36.63]	.949 [24.11]
203M622	22	1.312-18 UNEF	1.64 [41.7]	↓	1.566 [39.78]	1.074 [27.28]
203M624	24	1.438-18 UNEF	1.77 [45.0]	.069 [1.75]	1.692 [42.98]	1.168 [29.67]

If this document is printed it becomes uncontrolled.  
Check for the latest revision.

SIZE A	CODE IDENT. NO. 06090	DWG. NO. 203M6XX	REV E
DO NOT SCALE THIS DWG		CAD NAME \ACAD12\203M6X-2	SHEET 2 OF 2