

# Cable connector - CA-16S1N12T0DN - 1620301

Please be informed that the data shown in this PDF Document is generated from our Online Catalog. Please find the complete data in the user's documentation. Our General Terms of Use for Downloads are valid (<http://phoenixcontact.com/download>)

Cable connector, angled, shielded: yes, Screw locking, M23, No. of pos.: 16, type of contact: Socket, Solder connection, cable diameter range: 3 mm ... 14.5 mm



The figure shows the 12-pos. product version

## Why buy this product

- Angled cable outlet for confined spaces
- Can be adapted to various applications, thanks to adjustable cable outlet direction
- Safe use in the field, thanks to high degree of protection
- Connector for flexible on-site assembly
- Consistent EMC protection for reliable transmission of signals
- Solder connection: proven connection technology for various litz wires



## Key Commercial Data

|              |               |
|--------------|---------------|
| Packing unit | 1 STK         |
| GTIN         |               |
| GTIN         | 4046356817752 |

## Technical data

### Temperature range

|                                 |                   |
|---------------------------------|-------------------|
| Ambient temperature (operation) | -40 °C ... 125 °C |
|---------------------------------|-------------------|

### Data of the insulating body

|                           |                   |
|---------------------------|-------------------|
| Coding                    | N                 |
| Insulator material        | PBT               |
| Contact material          | CuZn              |
| Contact surface material  | Ni/Au             |
| Contact connection method | Solder connection |
| Type of contacts          | Socket            |
| Application               | Signal            |

# Cable connector - CA-16S1N12T0DN - 1620301

## Technical data

### Data of the insulating body

|  |                      |
|--|----------------------|
| Number of positions                            | 16                   |
| Contact diameter of power contacts             | 1 mm                 |
| Litz wire cross section of power contacts min. | 0.08 mm <sup>2</sup> |
| Litz wire cross section of power contacts max. | 1 mm <sup>2</sup>    |
| Nominal current per power contact at 25°C      | 8 A                  |
| Nominal voltage, power contact                 | 150 V                |
| Rated surge voltage                            | 1.5 kV               |
| Overvoltage category                           | II                   |
| Degree of pollution                            | 3                    |

### Housing data

|  |  |
|--|--|
| Housing material                       | Turned parts: copper zinc alloy (CuZn), die-cast parts: zinc (GD-Zn) |
| Type of locking                        | Screw locking  |
| Degree of protection (when plugged in) | IP67   |
| Thread type                            | M23  |

### Cable seal data

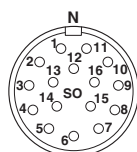
|                  |                  |
|------------------|------------------|
| Cable diameter   | 3 mm ... 14.5 mm |
| Sealing material | NBR              |

### Environmental Product Compliance

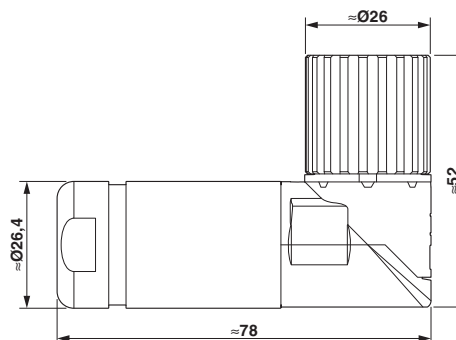
|            |   |
|------------|---|
| REACH SVHC | Lead 7439-92-1  |
| China RoHS | Environmentally Friendly Use Period = 50  |
|            | For details about hazardous substances go to tab "Downloads", Category "Manufacturer's declaration" |

## Drawings

Schematic diagram



Dimensional drawing



## Approvals

Approvals

# Cable connector - CA-16S1N12T0DN - 1620301

## Approvals

Approvals

UL Recognized / cUL Recognized / cULus Recognized

Ex Approvals

## Approval details

|                            |       |  |
|----------------------------|-------|--|
| UL Recognized              |       | <a href="http://database.ul.com/cgi-bin/XYV/template/LISEXT/1FRAME/index.htm">http://database.ul.com/cgi-bin/XYV/template/LISEXT/1FRAME/index.htm</a> E335019-20141210 |
|                            |       |  |
| Nominal voltage UN         | 150 V |  |
| Nominal current IN         | 8 A   |  |
| mm <sup>2</sup> /AWG/kcmil | 18    |  |

|                            |       |  |
|----------------------------|-------|--|
| cUL Recognized             |       | <a href="http://database.ul.com/cgi-bin/XYV/template/LISEXT/1FRAME/index.htm">http://database.ul.com/cgi-bin/XYV/template/LISEXT/1FRAME/index.htm</a> E335019-20141210 |
|                            |       |  |
| Nominal voltage UN         | 150 V |  |
| Nominal current IN         | 5 A   |  |
| mm <sup>2</sup> /AWG/kcmil | 18    |  |

|                  |  |  |
|------------------|--|--|
| cULus Recognized |  |  |
|------------------|--|--|

Phoenix Contact 2018 © - all rights reserved  
<http://www.phoenixcontact.com>

PHOENIX CONTACT GmbH & Co. KG  
Flachsmarktstr. 8  
32825 Blomberg  
Germany  
Tel. +49 5235 300  
Fax +49 5235 3 41200  
<http://www.phoenixcontact.com>