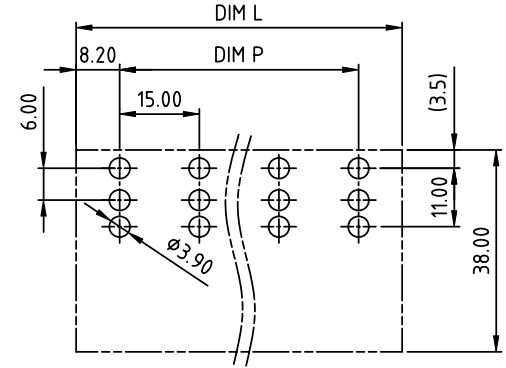
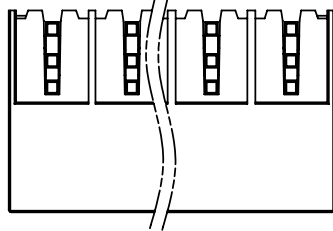
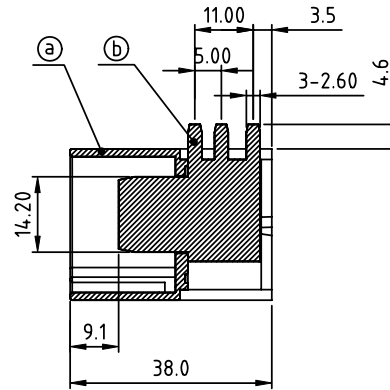
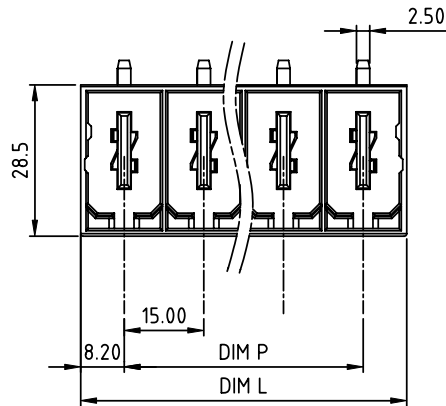


| | |
|----------------|----------|
| PRODUCT NUMBER | PITCH |
| KUxxC0x100J0G | 15.00 mm |



RECOMMENDED P.C.B LAYOUT
TOP VIEW



Material:

- Item① Terminal housing: Thermoplastic (UL94V-0)
- Item② Male contact: Copper. Gold plate

Electrical:

- Voltage rating: 600 V
- Current rating: 115 A
- Withstanding Voltage: 2.2 KV
- Operating temperature: -40°C to +115°C
- Soldering temperature: 260°C±5°C/5 Sec
- Safety Approval:

PART NO.: KU xx C 0 x 1 00J0 G

| | |
|------------------------|--|
| Dim L=(N-1)×15.00+16.4 | |
| Dim P=(N-1)×15.00 | |

N=Number of poles

| Poles | Tolerance |
|--------|-----------|
| 2p-4p | ±0.20 |
| 5p-7p | ±0.35 |
| 8p-10p | ±0.50 |

| Solid block | No. of poles | Color | RoHS compliant (lead<4%) In copper Alloy |
|-------------|--------------|-------------------|---|
| 0 | 2 | Black (RAL9005) | |
| 02 | 2 | Red (RAL3001/D) | |
| 03 | 3 | Orange(RAL2011/P) | |
| 4 | 3 | Yellow(RAL1018/A) | |
| 5 | 5 | Green(RAL6018/T) | |
| 6 | 6 | Blue (RAL5015/A) | |
| 8 | 8 | Grey(RAL7035/D) | |
| 9 | 9 | White(RAL1102) | |
| C | 10 | Green(RAL6018/U) | |

| | | | | | |
|-------------|----------------|-----------------------|-------------------------|---------------------------------------|----------------------------------|
| mat'l. code | | surface ASME Y14.5 | tolerance ASME Y14.5 | projection | product family TERMINAL BLOCK |
| ltr | ecn no | dr | date | | title |
| | | | | tolerances unless otherwise specified | TERMINAL BLOCK |
| | | | | angles | PLUGGABLE SOCKET,RIGHT ANGLE |
| | | | | MM | scale |
| | | | | X°±1' | FCI |
| | | | | dr | EVIN ZHONG 050814 |
| | | | | enr | EVIN ZHONG 050814 |
| | | | | chr | HANKE FENG 050814 |
| | | | | appd | SHI JUN 050814 |
| sheet index | revision sheet | A | 1 | | dwg no KUxxC0x100J0G |
| | | | | | sheet 1 of 1 size A4 |
| | | | | | type CUSTOMER Drawing |