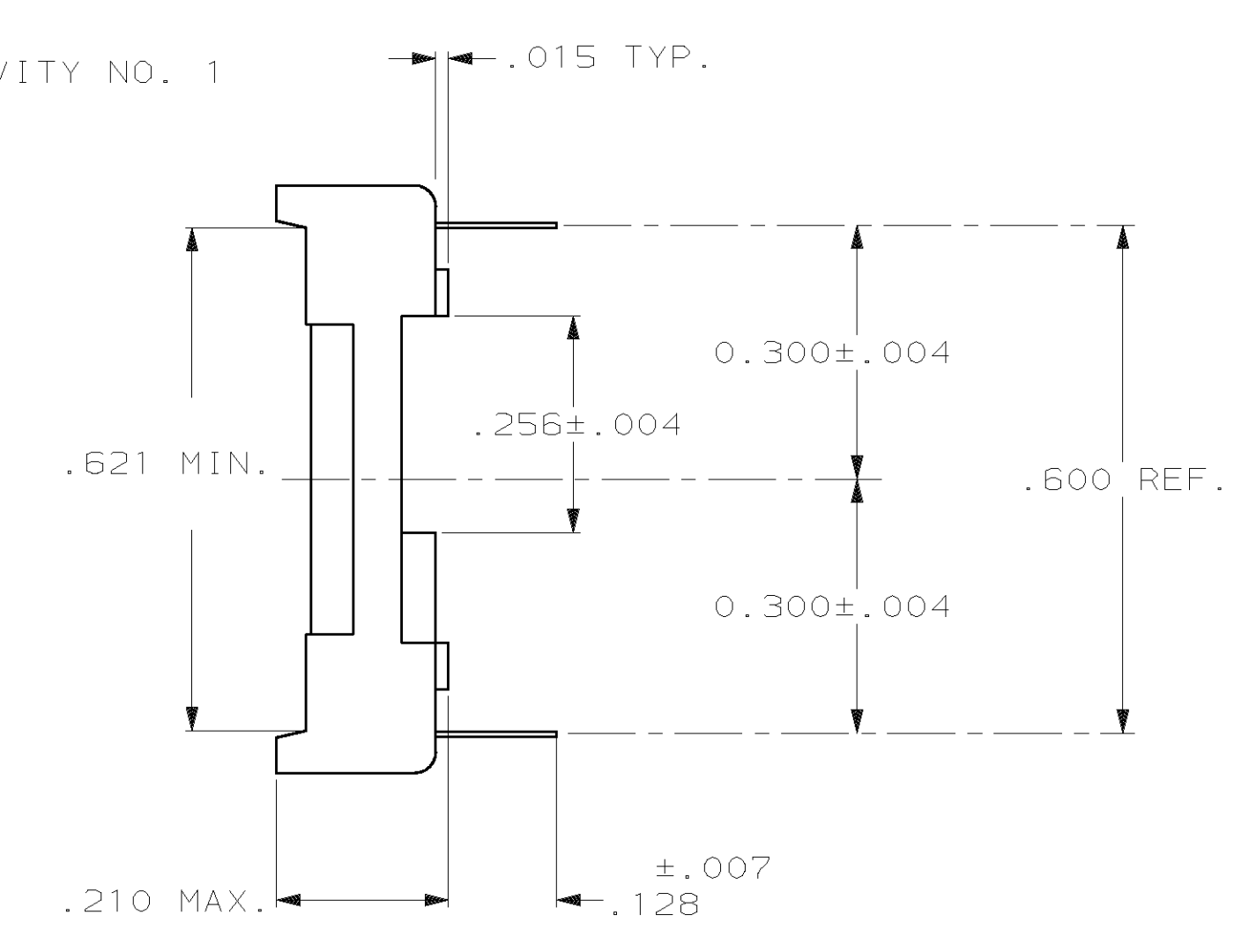
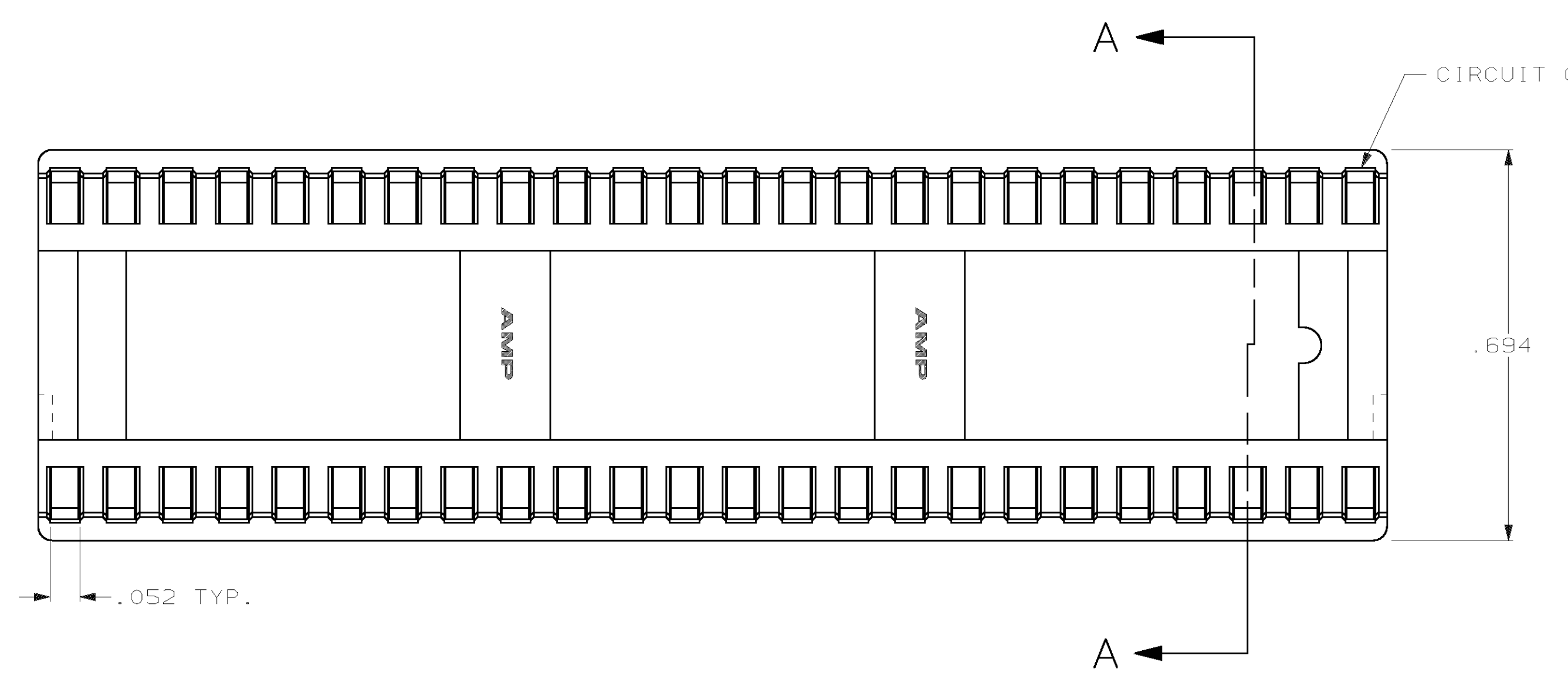
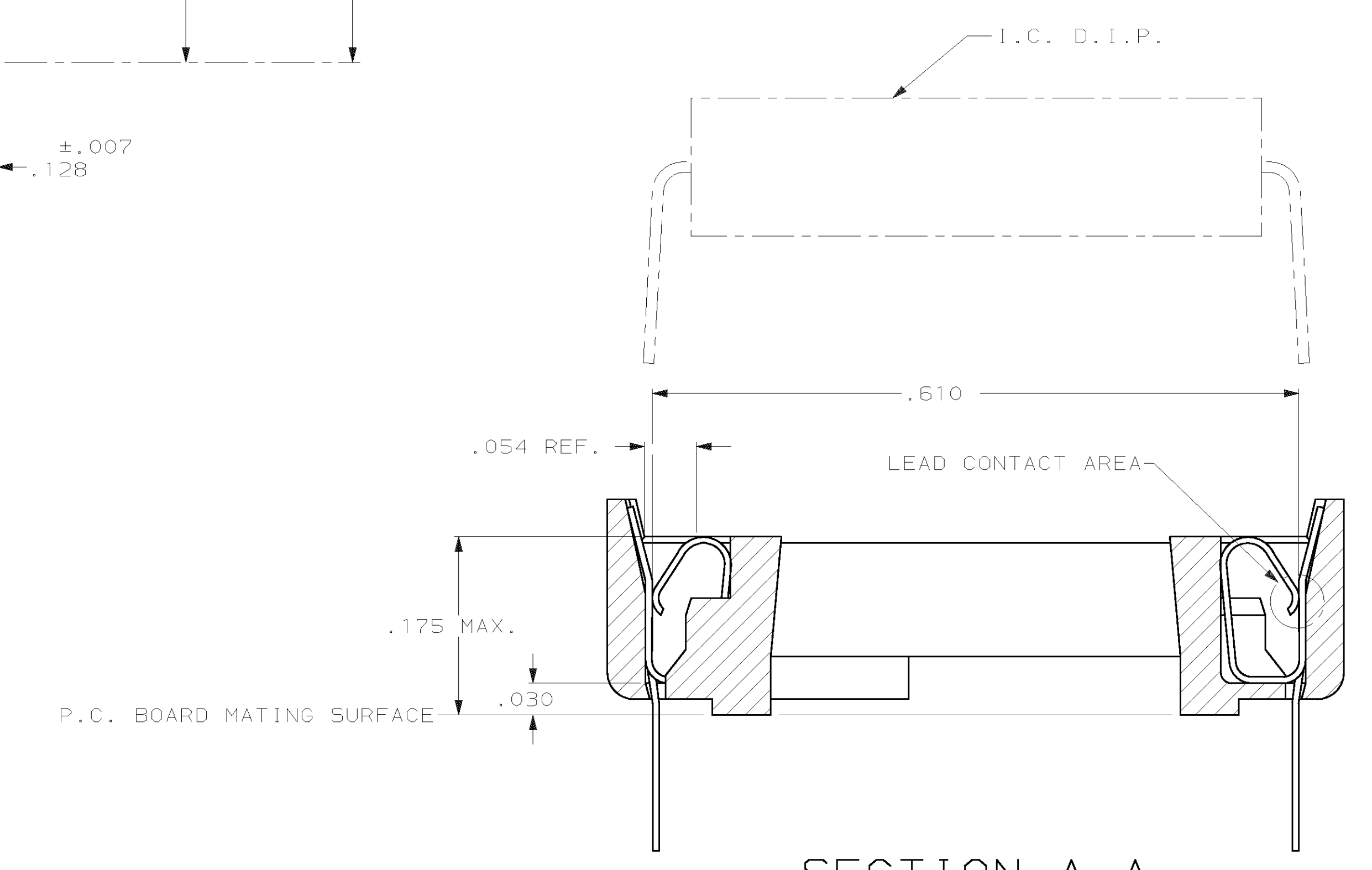
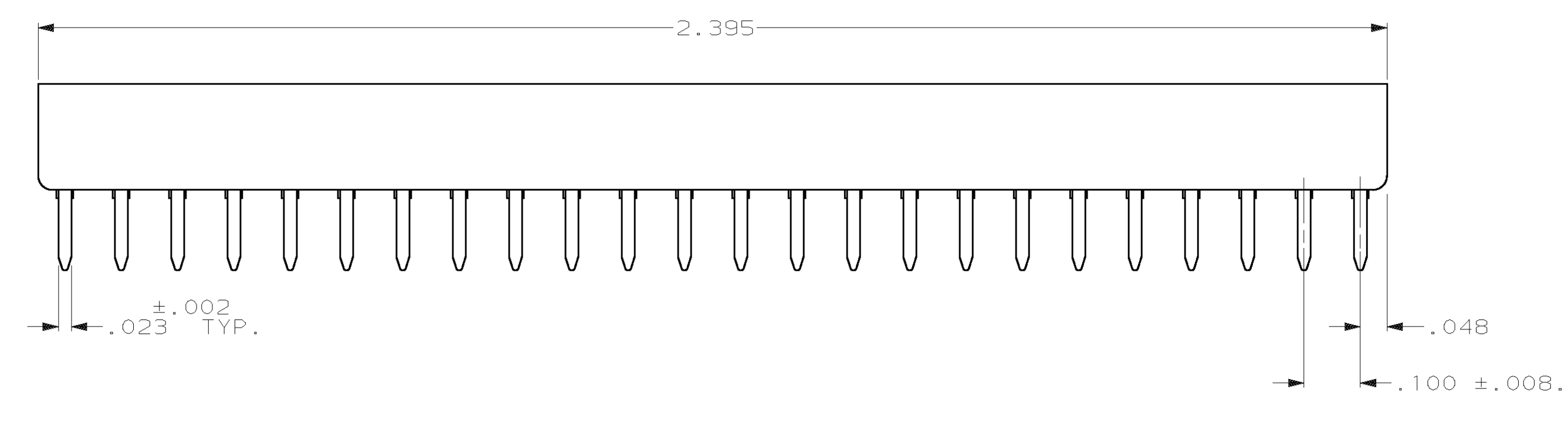


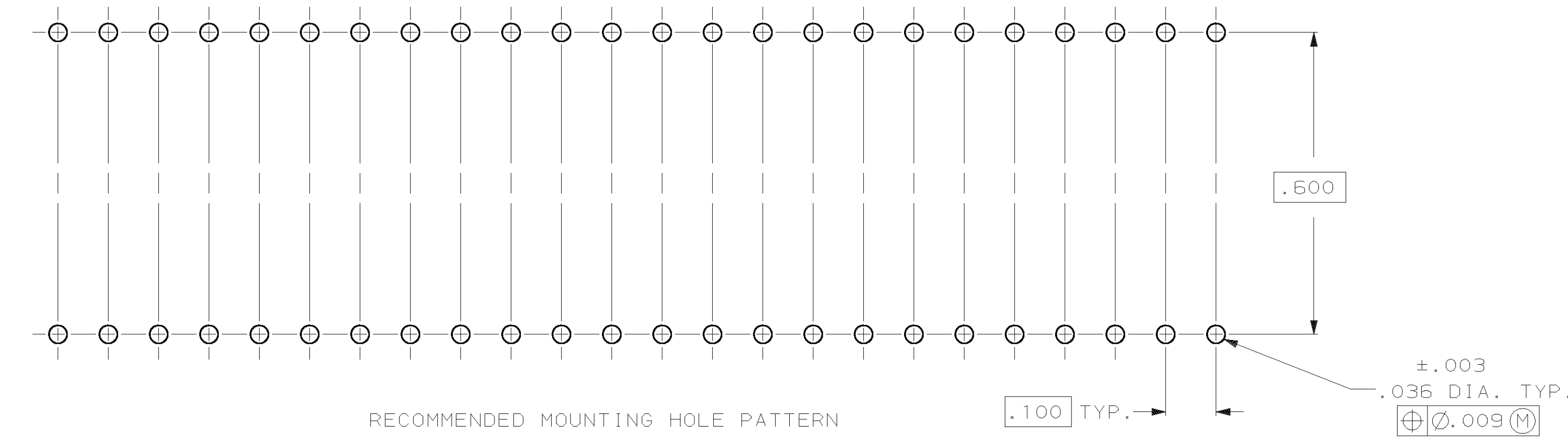
LOC		DIST		REVISIONS			
AD	0	TR	LYR	DESCRIPTION	DATE	DWN	APVD
		S		REV PER 063C-0104-01	04SEP01	RB	JO



- RECEPTACLE ACCEPTS AN .008-.014 THK. I.C. LEAD.
- TWO .000030 MIN. THK. GOLD STRIPES IN CONTACT AREA, TIN-LEAD (93-7) ON CONTACT LEGS, BALANCE OF CONTACT NICKEL PLATED.
- TWO .000015 MIN. THK. GOLD STRIPES IN CONTACT AREA, TIN-LEAD (93-7) ON CONTACT LEGS, BALANCE OF CONTACT NICKEL PLATED.
- TUBE LOADED FOR AUTOMATIC INSERTION.
- SPECIAL PACKAGING.



SECTION A-A
 ROTATED 90° CW
 SCALE 10:1



SUPSD BY	CONTACT FINISH	CONTACT MAT'L	HOUSING MATERIAL	PART NO.
390262-7	TINNED	PHOS. BRZ. .006 THK	GLASS-FILLED THERMOPLASTIC, 94V-0, BLACK	5-643574-3
OBSOLETE	TINNED	PHOS. BRZ. .006 THK	GLASS-FILLED THERMOPLASTIC, 94V-0, BLACK	2-643574-5
390262-7	TINNED	PHOS. BRZ. .006 THK	GLASS-FILLED THERMOPLASTIC, 94V-0, BLACK	2-643574-4
OBSOLETE	TINNED	PHOS. BRZ. .006 THK	GLASS-FILLED THERMOPLASTIC, 94V-0, BLACK	2-643574-3
390262-7	TINNED	BE. CU. .006 THK	GLASS-FILLED THERMOPLASTIC, 94V-0, BLACK	2-643574-2
OBSOLETE	TINNED	BE. CU. .006 THK	GLASS-FILLED THERMOPLASTIC, 94V-0, BLACK	2-643574-1

THIS DRAWING IS A CONTROLLED DOCUMENT.		DWN T. WILDMAN 9-9-87	AMP AMP Incorporated Harrisburg, PA 17105-3608
TOLERANCES UNLESS OTHERWISE SPECIFIED.		CHK J. MOSER 9-13-87	
DIMENSIONS INCHES	0 PLC ±.005 1 PLC ±.005 2 PLC ±.005 3 PLC ±.005 4 PLC ±.005	APVD J. GRAY 9-13-87	NAME SOCKET ASSY, DIP, LADDER, 48 POS, DIPLOMATE DL
MATERIAL	SEE TABLE	FINISH	SEE TABLE
WEIGHT		SIZE	SCALE CODE DRAWING NO
CUSTOMER DRAWING		SCALE	RESTRICTED TO