

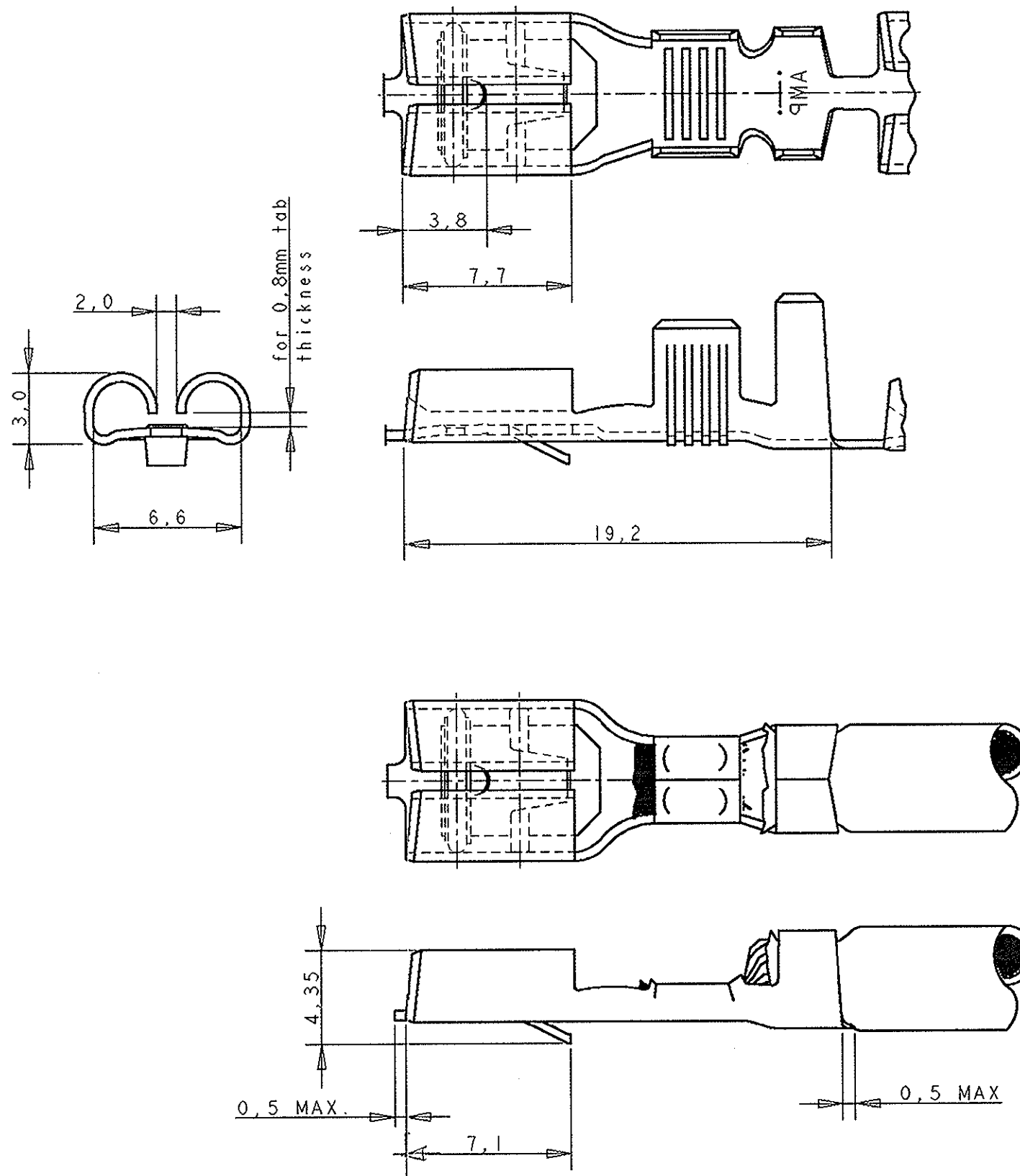
DO NOT SCALE
DIMENSIONS IN mm

METRIC

THIRD ANGLE
PROJECTION

NOTES:

- 1 FOR USE ON STANDARD AND MINIATURE APPLICATORS.
- 2 REELED WITH PAPER COVER.
- 3 SPLICE FREE CODE 115-10003.1



GENERAL TOLERANCES ±0.3

NOTES	FINISH	MATERIAL	PARTNUMBER
1 2 3	UNPLATED	PH. BRONZE	160824-6
1 2	UNPLATED	BRASS	160824-5
-	-	-	-
-	-	-	-
-	-	-	-
-	-	-	-

NOTES	FINISH	MATERIAL	PARTNUMBER
-	-	-	-
-	-	-	-
31	UPDATED	HY	08NOV05
J	ES00-0065-01	JC	JL 19JUN01
H	ES00-0043-01	JC	RS 27APR01
C	EH-1045-97	D.K.	R.V. 26 SEP 97
B	EH-0168-94	DK	PB 21-06-94
LTR.	REVISION RECORD	DR.	CHK. DATE
DR.:	D. KESSLER	CHK.:	P. BEIJNOH
DATE:	21-06-94	DATE:	-
APP.:	L.V. SOEST	DATE:	-
CUSTOMER DRAWING FOR REFERENCE ONLY WILL NOT BE UPDATED			
© COPYRIGHT 19- BY AMP HOLLAND B.V. ALL INTERNATIONAL RIGHTS RESERVED. AMP PRODUCTS MAY BE COVERED BY U.S. AND FOREIGN AND/OR PATENTS PENDING.			
THIS DRAWING IS UNPUBLISHED RELEASED FOR PUBLICATION			
Tyco Electronics AMP ITALIA S.p.A. C.so Filii Cervi, 15 COLLEGNOCIO			
NAME			
6,3 SRS FASTIN-ON RECEPTACLE			
DWG. No.	160824	REV. LTR.	J1
SHEET	1 of 1	A3	