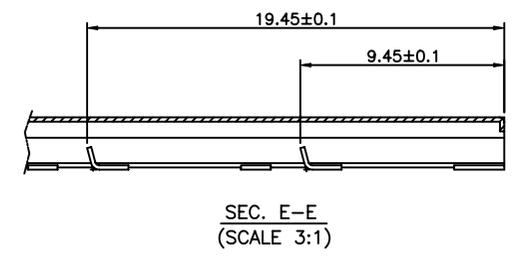
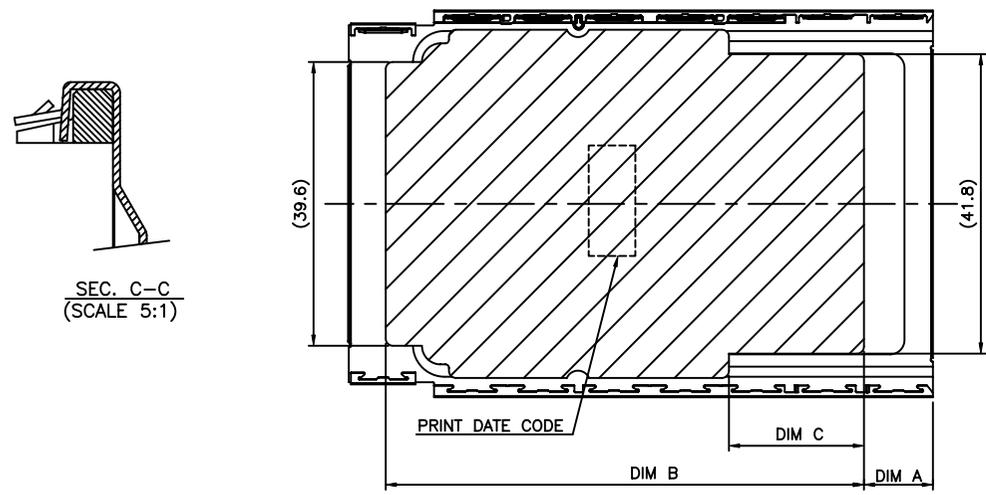
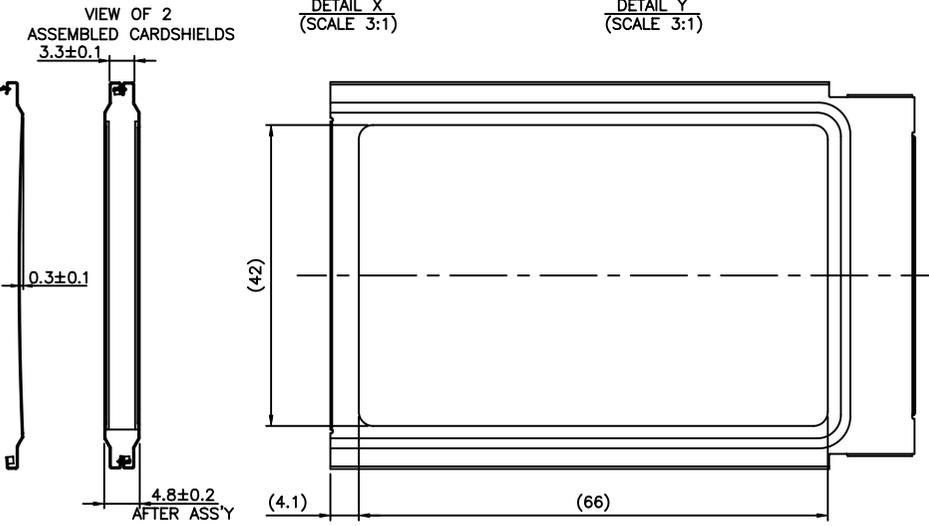
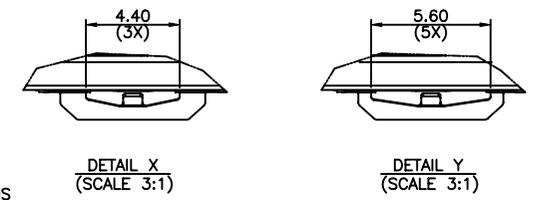
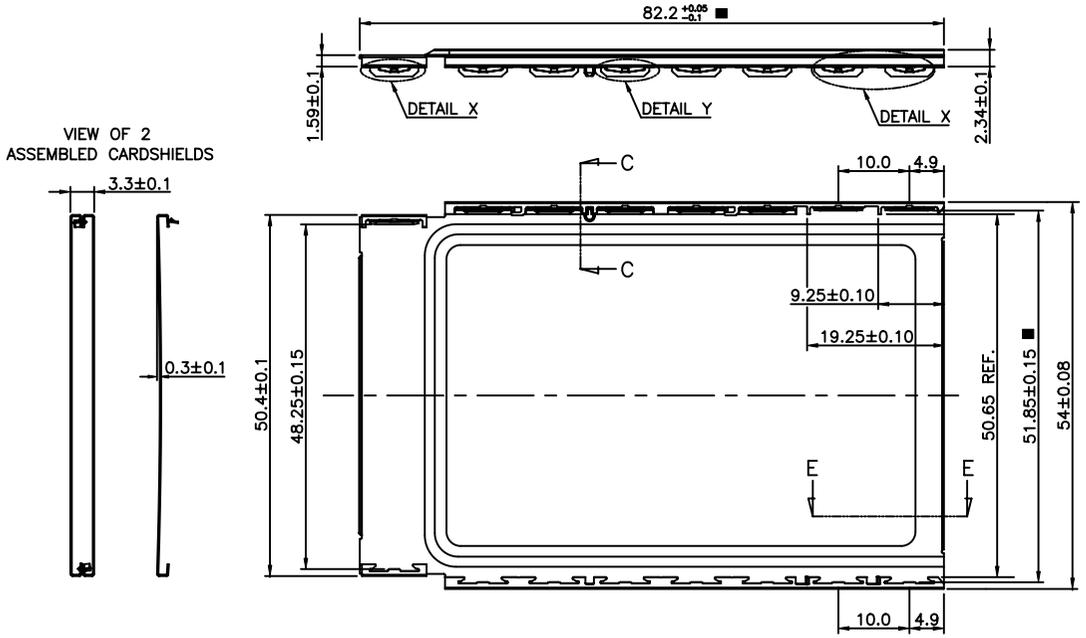


Tous droits strictement réservés. Reproduction ou communication a des tiers int sous quelque forme que ce soit sans autorisation écrite du propriétaire. Property of c BERG ELECTRONICS. Droits de reproduction BERG ELECTRONICS by

All rights strictly reserved. Reproduction or issue to third parties in any for whatever is not permitted without written authority from the proprietor. Property of c BERG ELECTRONICS. Copyright BERG ELECTRONICS by

PRODUCT NUMBER	DIM A	DIM B	DIM C
57924-001	9.7±1.0	67.3 REF	19.0 REF
57924-002	1.4±1.0	75.6 REF	27.3 REF



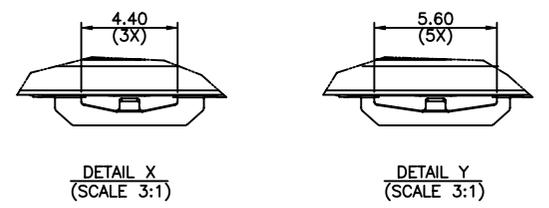
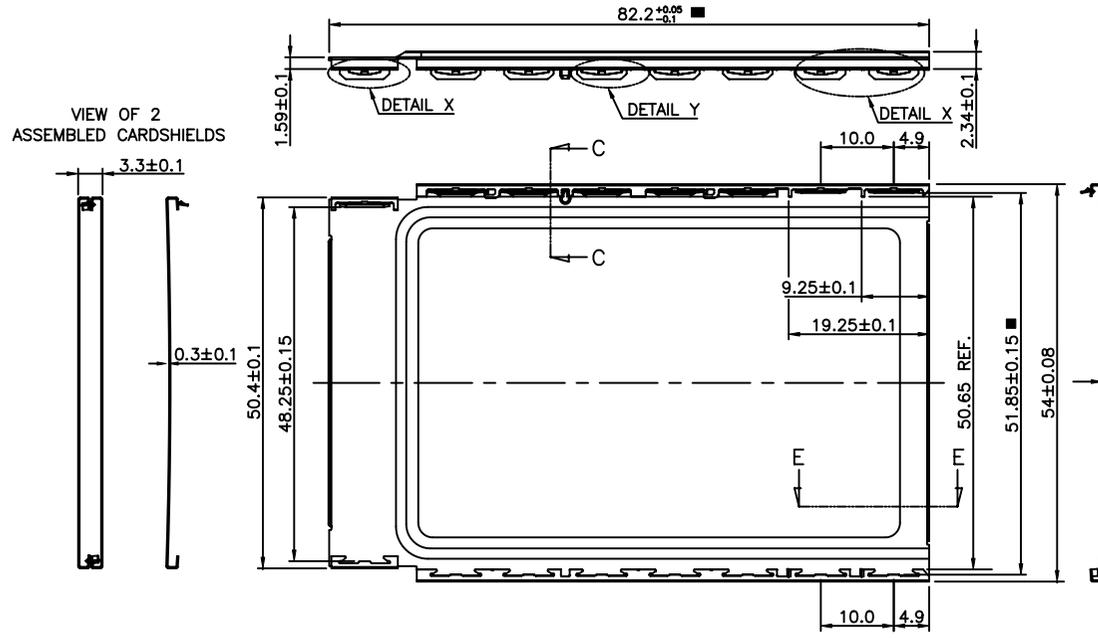
NOTE: 1. ■ : CPK MARK >= 1.5

mat'l code				tolerance unless otherwise specified				CUSTOMER COPY		 www.fciconnect.com	
rev.	ecn no.	dr	date	linear	X. ±0.3		projection		title		
A	T20200	WL	06/26/02		.X ±0.13				ROCARD SHIELD		
B	T20226	WL	08/13/02		.XX ±0.05						
C	T03-0052	WL	02/11/03	angles	±2°			product family		code	
D	T04-0106	WL	03/08/04		dr WENDY CHEN 08/01/01			PCMCIA			
					enr YUWEN CHU 08/01/01			size		dwg no.	
				chr YUWEN CHU 08/01/01		mm/inch		57924		sheet	
				appd JENN TSAO 08/01/01		scale		A3		1 OF 4	
sheet	revision	D	D	C	C						
index	sheet	1	2	3	4						

Tous droits strictement réservés. Reproduction ou communication à des tiers sans quelque forme que ce soit sans autorisation écrite du propriétaire.
 Property of c BERG ELECTRONICS.
 Droits de reproduction BERG ELECTRONICS by

All rights strictly reserved. Reproduction or issue to third parties in any form whatever is not permitted without written authority from the proprietor.
 Property of c BERG ELECTRONICS.
 Copyright BERG ELECTRONICS by

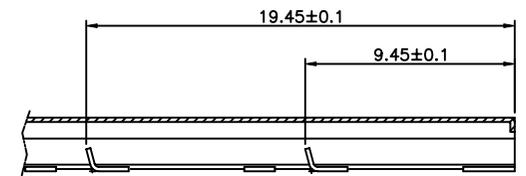
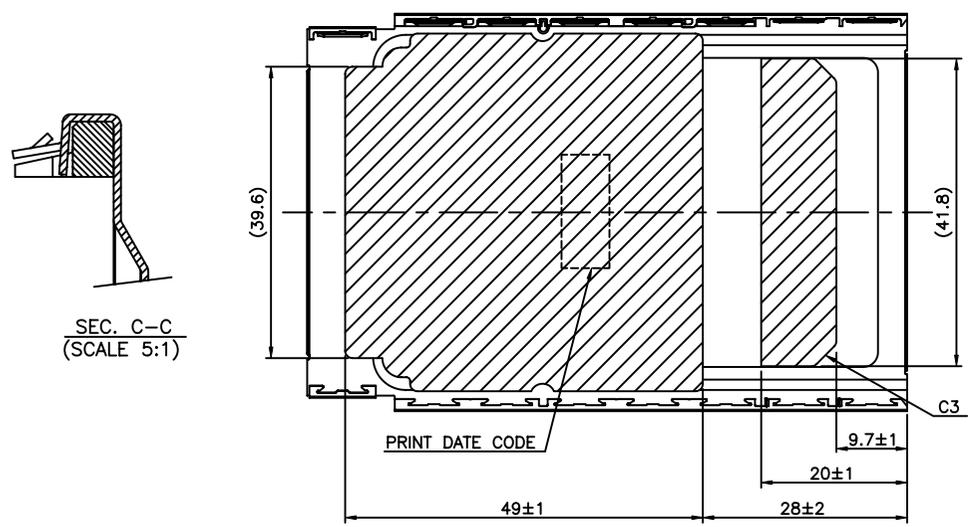
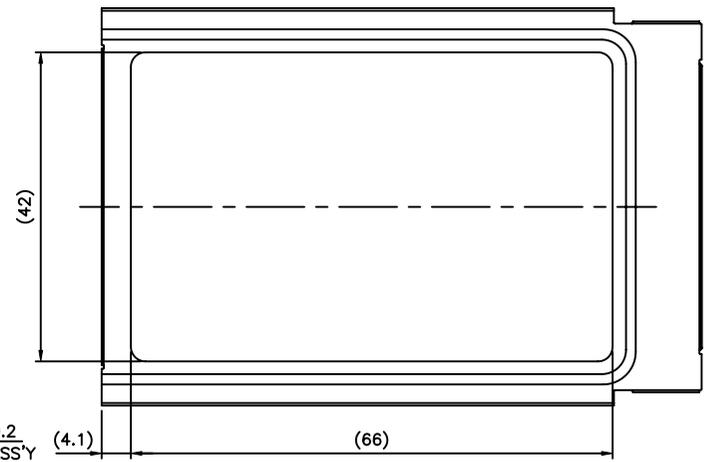
PRODUCT NUMBER
 57924-001A



VIEW OF 2 ASSEMBLED CARDSHIELDS
 3.3 ±0.1

DETAIL X (SCALE 3:1)

DETAIL Y (SCALE 3:1)



SEC. C-C (SCALE 5:1)

SEC. E-E (SCALE 3:1)

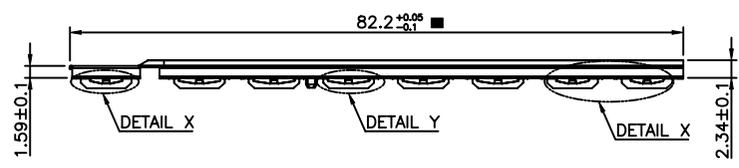
NOTE: 1. ■ : CPK MARK >= 1.5

mat'l code				tolerance unless otherwise specified				CUSTOMER COPY		 www.fciconnect.com		
rev.	ecn no.	dr	date	linear	X. ±0.3	projection		title		ROCARD SHIELD		
D					.X ±0.13			product family		PCMCA		code
					.XX ±0.05			size		dwg no.		sheet
				angles	±2°	unit		mm/inch		2 OF		
				dr	WENDY CHEN 02/20/02	scale		A3		57924		
				enr	YUWEN CHU 02/20/02	scale		A3		57924		
				chr	YUWEN CHU 02/20/02	scale		A3		57924		
				appd	JENN TSAO 02/20/02	scale		A3		57924		
sheet index	revision	sheet										

Tous droits strictement réservés. Reproduction ou communication a des tiers int sous quelque forme que ce soit sans autorisation écrite du propriétaire. Property of c BERG ELECTRONICS. Droits de reproduction BERG ELECTRONICS by

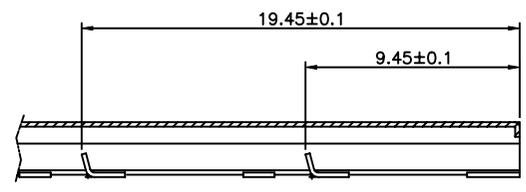
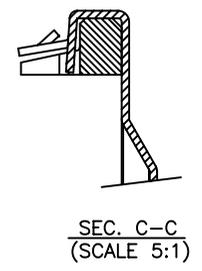
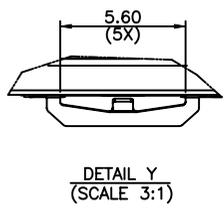
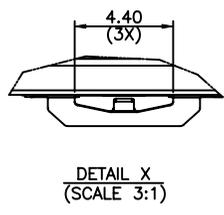
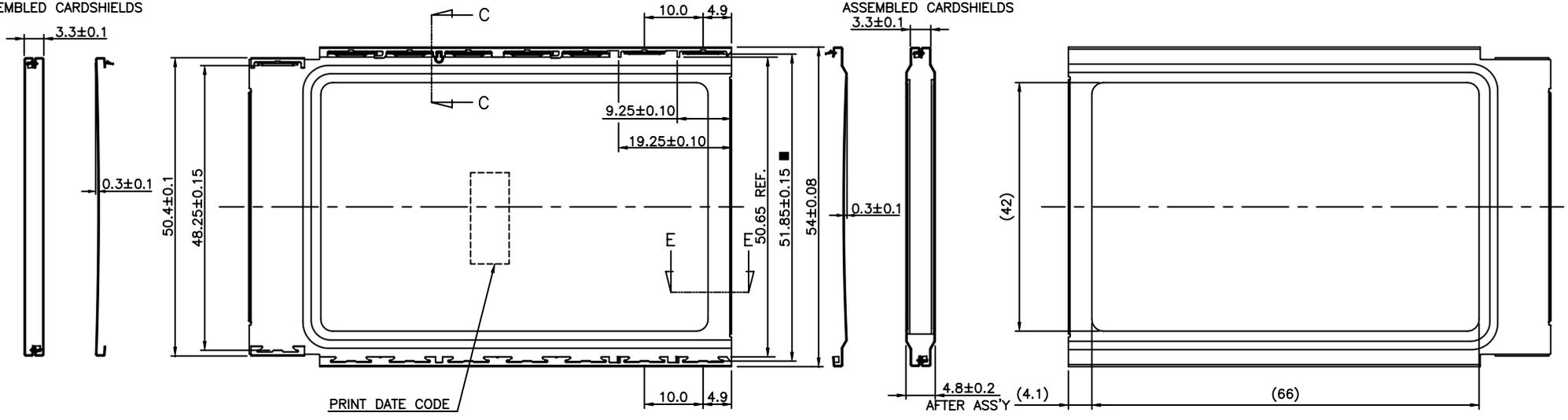
All rights strictly reserved. Reproduction or issue to third parties in any for whatever is not permitted without written authority from the proprietor. Copyright BERG ELECTRONICS by

PRODUCT NUMBER
57924-003



VIEW OF 2
ASSEMBLED CARDSHIELDS

VIEW OF 2
ASSEMBLED CARDSHIELDS



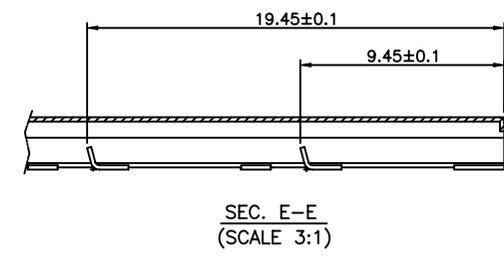
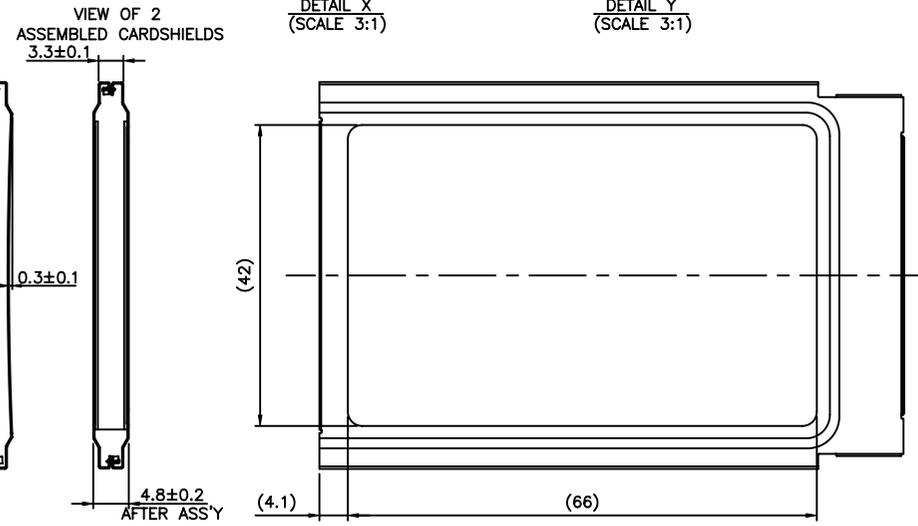
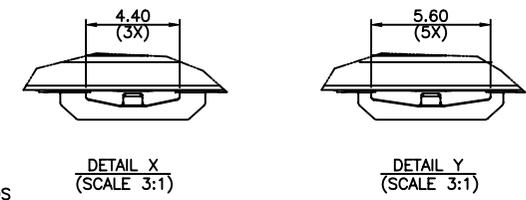
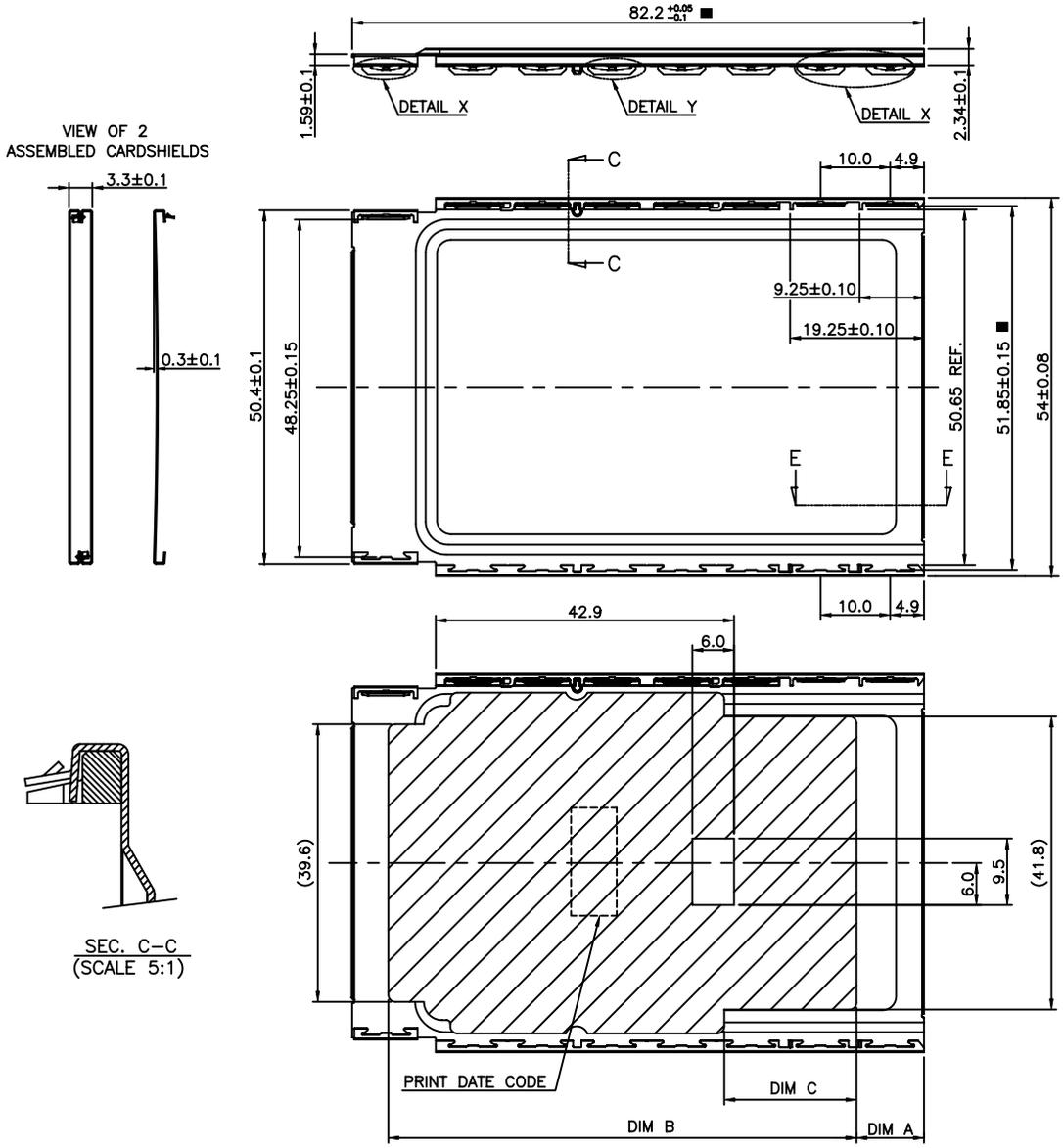
NOTE: 1. ■ : CPK MARK >= 1.5

mat'l code		tolerance unless otherwise specified		CUSTOMER COPY		 www.fciconnect.com	
rev.	ecn no.	dr	date	linear	X. ±0.3	projection	title
C					.X ±0.13		ROCARD SHIELD
				angles	.XX±0.05		product family
				dr	WENDY CHEN 05/20/02	unit	PCMCIA
				enr	SUNNY LIN 05/20/02	mm/inch	size
				chr	SUNNY LIN 05/20/02	scale	dwg no.
				appd	JENN TSAO 05/20/02	A3	57924
sheet	revision						sheet
index	sheet						3 OF

PRODUCT NUMBER	DIM A	DIM B	DIM C
57924-004	9.7±1.0	67.3 REF	19.0 REF

Tous droits strictement réservés. Reproduction ou communication a des tiers int sous quelque forme que ce soit sans autorisation écrite du propriétaire. Property of c BERG ELECTRONICS. Droits de reproduction BERG ELECTRONICS by

All rights strictly reserved. Reproduction or issue to third parties in any for whatever is not permitted without written authority from the proprietor. Property of c BERG ELECTRONICS. Copyright BERG ELECTRONICS by



NOTE: 1. ■ : CPK MARK ≥ 1.5

mat'l code				tolerance unless otherwise specified			CUSTOMER COPY		 www.fciconnect.com	
rev.	ecn no.	dr	date	linear	X. ±0.3	projection		title		
C					.X ±0.13			ROCARD SHIELD		
					.XX±0.05			product family	PCMCIA	code
				angles	±2°	unit	mm/inch	size	dwg no.	
		dr	WENDY CHEN	01/16/03		scale	A3	57924	sheet 4 OF	
		enr	DAVID TENG	01/16/03						
		chr	TONY CHIEN	01/16/03						
		appd	JENN TSAO	01/16/03						
sheet index	revision sheet									