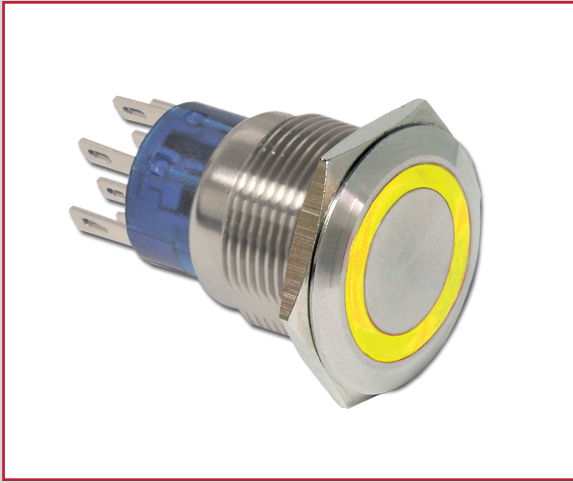
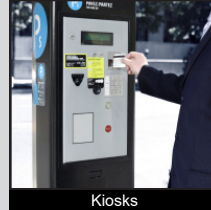


# ULV7 SERIES ANTI-VANDAL SWITCH

ANTI-VANDAL SWITCHES  
DETECTOR SWITCHES  
DIP SWITCHES  
KEYLOCK SWITCHES  
NAVIGATION SWITCHES  
PUSHBUTTON SWITCHES  
ROCKER SWITCHES  
ROTARY SWITCHES  
SLIDE SWITCHES  
SNAP ACTION SWITCHES  
TACTILE SWITCHES  
TOGGLE SWITCHES  
CAP OPTIONS



## APPLICATIONS / MARKETS



RoHS

## SPECIFICATIONS

**Electrical Rating:** 3A, 250VAC  
**Mechanical Life:** 1,000,000 cycles (momentary); 500,000 cycles (latching)  
**Electrical Life:** 50,000 Cycles  
**Contact Resistance:** 50mΩ  
**Insulation Resistance:** 1000 MΩ @ 500VDC  
**Dielectric Strength:** 2,000VAC  
**Operating/Storage Temperature:** -20°C to 55°C  
**Travel:** 3.2mm  
**Moisture Protection:** IP67  
**Contact Arrangement:** SPDT or DPDT  
**Actuation Force:** Single Pole: 2.5N; Double Pole: 3.5N  
**Panel Thickness:** 1-10mm  
**Hex Nut Torque:** 5-14Nm  
**Mechanical Impact Protection:** IK10  
**Agency Approvals:** cURus

## FEATURES & BENEFITS

- 22mm diameter panel cutout
- Ring illumination
- Multiple switch functions available
- Multiple illumination voltage options
- IP67 rated
- SPDT or DPDT
- UL Certified
- Custom graphics available

## PART NUMBER CONFIGURATOR

Series	Actuator	Terminal	Function	Body Finish	Actuator Finish	Contact Material	Lens Style	LED Color	Illumination Voltage
<input type="text" value="ULV7"/>	<input type="text" value="F - Flat"/>	<input type="text" value="2 - Solder"/>	<input type="text" value="3 - 1P ON-ON&lt;br/&gt;B - 1P ON-(ON)*&lt;br/&gt;G - 2P ON-ON&lt;br/&gt;H - 2P ON-(ON)*"/>	<input type="text" value="S - Stainless Steel&lt;br/&gt;1 - Black Anodized"/>	<input type="text" value="S - Stainless Steel&lt;br/&gt;1 - Black Anodized"/>	<input type="text" value="None - Silver&lt;br/&gt;G - Gold"/>	<input type="text" value="3 - Ring, moveable with actuator"/>	<input type="text" value="0 - White&lt;br/&gt;1 - Red&lt;br/&gt;2 - Orange&lt;br/&gt;3 - Green&lt;br/&gt;4 - Blue&lt;br/&gt;5 - Yellow&lt;br/&gt;G - Red / Green&lt;br/&gt;P - Green / Yellow"/>	<input type="text" value="1 - 3V&lt;br/&gt;3 - 6V&lt;br/&gt;4 - 12V&lt;br/&gt;5 - 24V&lt;br/&gt;6 - 110V&lt;br/&gt;7 - 220V"/>

NOTES:  
 \*( ) denotes function is momentary

Specifications subject to change without notice



E-SWITCH®

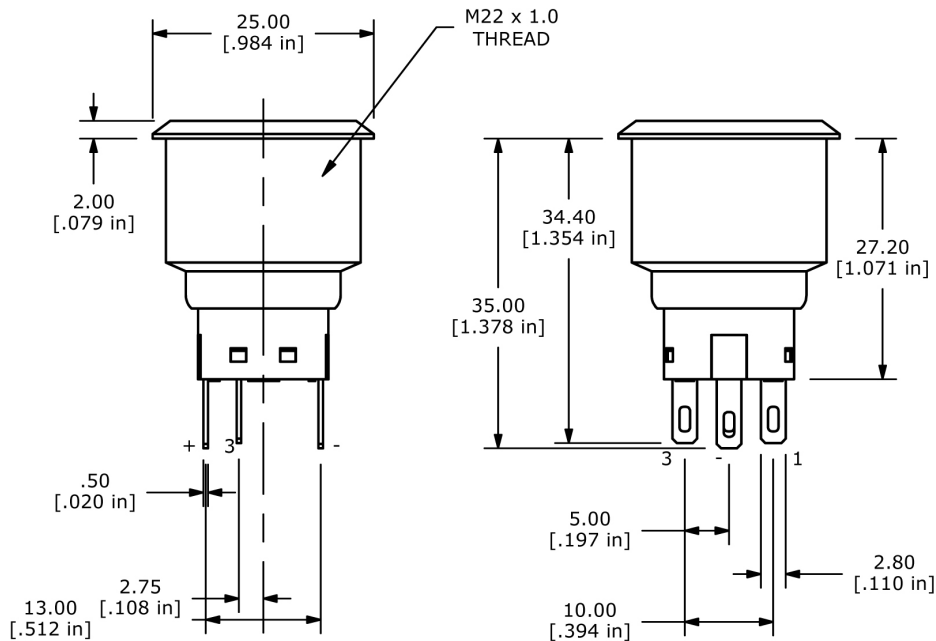
www.e-switch.com

800.867.2717

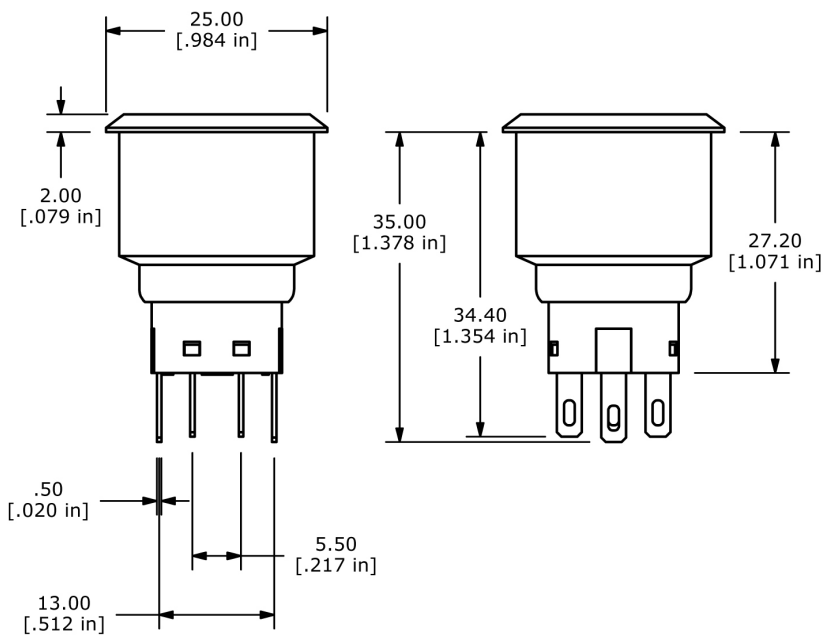
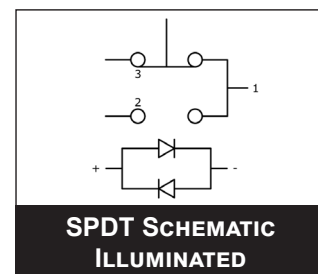
2

# ULV7 SERIES ANTI-VANDAL SWITCH

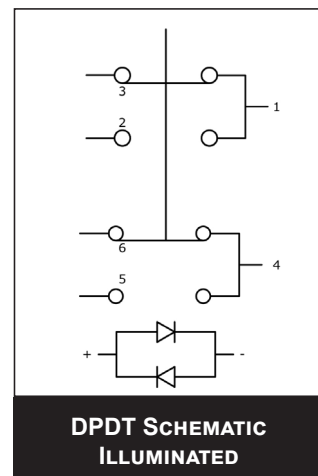
## BODY DIMENSIONS



SPDT SWITCH DIMENSIONS

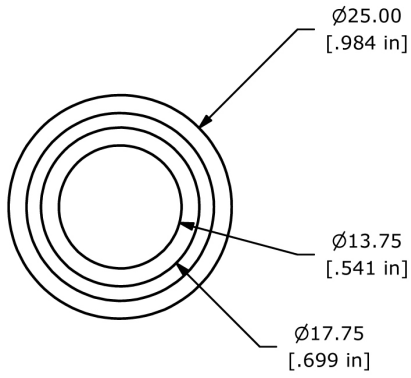


DPDT SWITCH DIMENSIONS



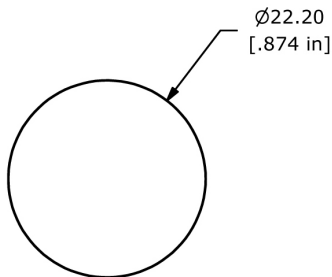
# ULV7 SERIES ANTI-VANDAL SWITCH

## ACTUATOR OPTIONS



Ring Illuminated  
SPDT & DPDT

## PANEL CUTOUT



Panel Cut-out  
10mm Max  
Panel Thickness

Panel Cutout  
SPDT & DPDT

