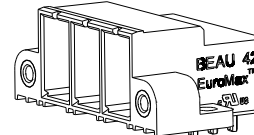
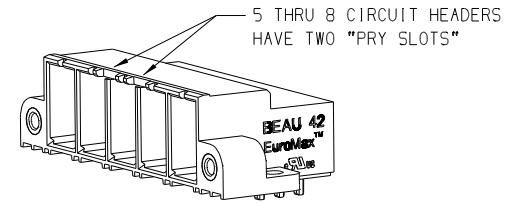


LENGTH TABLE

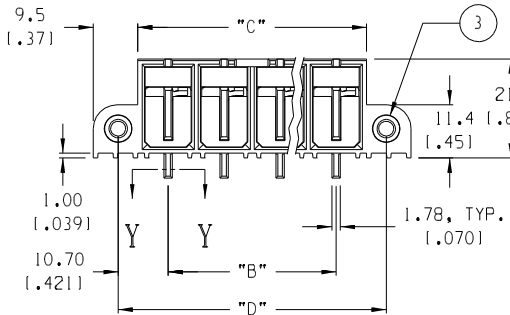
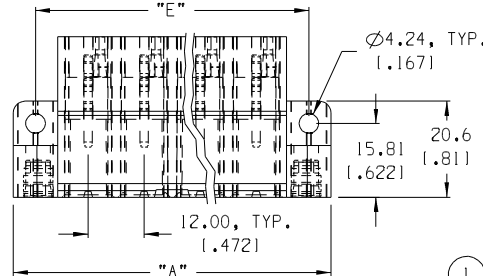
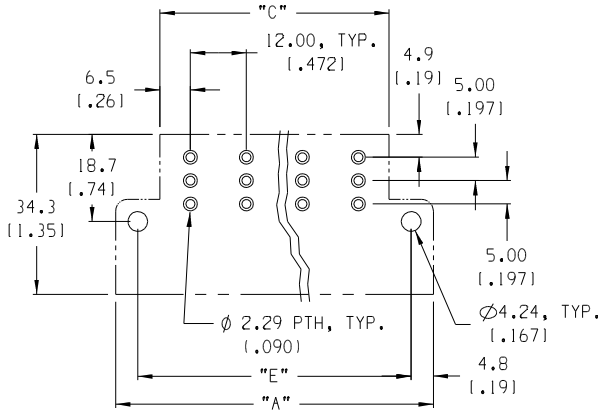
MATERIAL NO.	NO. CIRCUITS	"E"	"D"	"C"	"B"	"A"
394260002	02	34.56 (1.361)	33.35 (1.313)	25.0 (0.98)	12.00 (0.472)	44.1 (1.74)
394260003	03	46.56 (1.833)	45.35 (1.785)	37.0 (1.46)	24.00 (0.945)	56.1 (2.21)
394260004	04	58.56 (2.306)	57.35 (2.258)	49.0 (1.93)	36.00 (1.417)	68.1 (2.68)
394260005	05	70.56 (2.778)	69.35 (2.730)	61.0 (2.40)	48.00 (1.890)	80.1 (3.15)
394260006	06	82.56 (3.250)	81.35 (3.203)	73.0 (2.87)	60.00 (2.362)	92.1 (3.63)
394260007	07	94.56 (3.723)	93.35 (3.675)	85.0 (3.35)	72.00 (2.835)	104.1 (4.10)
394260008	08	106.56 (4.195)	105.35 (4.148)	97.0 (3.82)	84.00 (3.307)	116.1 (4.57)



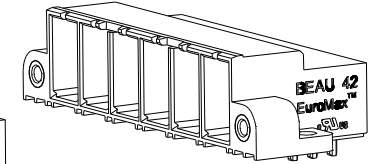
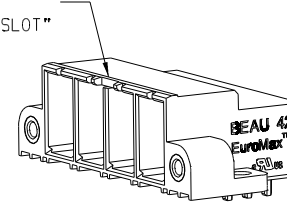
2 AND 3 CIRCUIT HEADERS  
HAVE NO "PRY SLOTS"



5 THRU 8 CIRCUIT HEADERS  
HAVE TWO "PRY SLOTS"

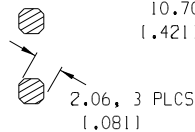


4 CIRCUIT HEADER  
HAS ONLY ONE "PRY SLOT"



NOTES:

1. MATERIAL: SEE TABLE
2. FINISHES: SEE TABLE
3. PRODUCT SPECIFICATION: SEE PPS.42.001
4. PACKAGING: NOT REQUIRED
5. MATES WITH: 3942200XX PLUG
6. XX EQUALS NUMBER OF CIRCUITS



SECTION Y-Y  
SCALE 3:1

ITEM	QTY.	DESCRIPTION	MATERIAL	FINISH
3	2	THD. INSERT, M4	BRASS	NONE
2	XX	BLADE CONTACT	COPPER	TIN
1	1	MOLDING, HEADER	PBT	BLACK

EC NO. RELEASED DRWING: RK 11-16-04 CH'K1 APPR:	QUALITY SYMBOLS MAJOR CRITICAL SPC S	GENERAL TOLERANCES: (UNLESS SPECIFIED)		SCALE 1:1	DESIGN UNITS <input type="checkbox"/> mm <input checked="" type="checkbox"/> INCH	THIRD ANGLE PROJECTION	PROJECT NO. 03-65 DIMENSIONS: <input checked="" type="checkbox"/> mm <input type="checkbox"/> INCH <input type="checkbox"/> mm ONLY	SHT REV
		4 PLACES ±.0015 3 PLACES ±.038 ±.005 2 PLACES ±.13 ±.01 1 PLACE ±.3	DRAWN BY & DATE R. KEMP 10-19-04	TITLE: HEADER, 12MM, 85A, 600V,		MOLEX INCORPORATED		
		ANGULAR: ±2°	CHECKED BY & DATE	CAD FILENAME 4259XX	MATERIAL NO. SEE CHART	DRAWING NO. SD-39426-001	SHEET NO. 1 OF 1	
		DRAFT WHERE APPLICABLE MUST REMAIN WITHIN DIMENSIONS	APPROVED BY & DATE		THIS DRAWING CONTAINS INFORMATION THAT IS PROPRIETARY TO MOLEX INCORPORATED AND SHOULD NOT BE USED WITHOUT WRITTEN PERMISSION.			

F  
E  
D  
C  
B  
A