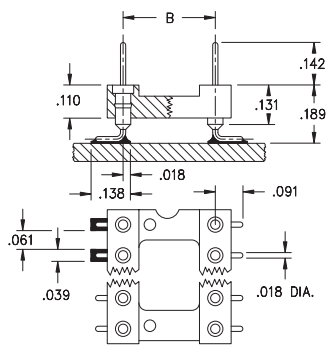


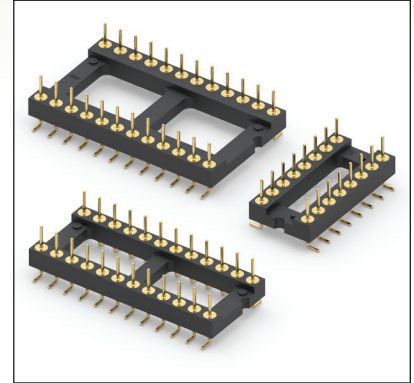
DUAL-IN-LINE HEADERS

SERIES 150 • SURFACE MOUNT, GULL WING • OPEN FRAME



See page 130 for Insulator Details

- Surface mount Gull Wing DIP headers for adapters and board stacking on .100" lead spacing
- Gull wing terminals provide maximum strength and permit easy visual inspection of solder joints
- Series 150 uses MM #3404 pins. See page 212 for details
- Insulators are high temperature thermoplastic, suitable for all soldering operations
- For Electrical, Mechanical and Environmental Data, see page 264 for details



Total number of pins				Quantity per tube	ORDERING INFORMATION					
	A	B	C							
10	0.5	0.2	0.3	40	150-10-210-00-106000					
4	0.2	0.3	0.4	102	150-10-304-00-106000					
6	0.3	0.3	0.4	67	150-10-306-00-106000					
8	0.4	0.3	0.4	50	150-10-308-00-106000					
10	0.5	0.3	0.4	40	150-10-310-00-106000					
14	0.7	0.3	0.4	29	150-10-314-00-106000					
16	0.8	0.3	0.4	25	150-10-316-00-106000					
18	0.9	0.3	0.4	22	150-10-318-00-106000					
20	1.0	0.3	0.4	20	150-10-320-00-106000					
22	1.1	0.3	0.4	18	150-10-322-00-106000					
24	1.2	0.3	0.4	16	150-10-324-00-106000					
28	1.4	0.3	0.4	14	150-10-328-00-106000					
20	1.0	0.4	0.5	20	150-10-420-00-106000					
22	1.1	0.4	0.5	18	150-10-422-00-106000					
24	1.2	0.4	0.5	16	150-10-424-00-106000					
28	1.4	0.4	0.5	14	150-10-428-00-106000					
32	1.6	0.4	0.5	12	150-10-432-00-106000					
24	1.2	0.6	0.7	16	150-10-624-00-106000					
28	1.4	0.6	0.7	14	150-10-628-00-106000					
32	1.6	0.6	0.7	12	150-10-632-00-106000					
36	1.8	0.6	0.7	11	150-10-636-00-106000					
40	2.0	0.6	0.7	10	150-10-640-00-106000					
42	2.1	0.6	0.7	9	150-10-642-00-106000					
48	2.4	0.6	0.7	8	150-10-648-00-106000					
50	2.5	0.6	0.7	8	150-10-650-00-106000					
52	2.6	0.6	0.7	7	150-10-652-00-106000					
50	2.5	0.9	1.0	8	XX=Plating Code See Below	150-10-950-00-106000				
52	2.6	0.9	1.0	7		150-10-952-00-106000				
64	3.2	0.9	1.0	6		150-10-964-00-106000				
See page 264 for coplanarity information					SPECIFY PLATING CODE XX =		10	◆		
					Pin Plating		10 μ" Au			

