

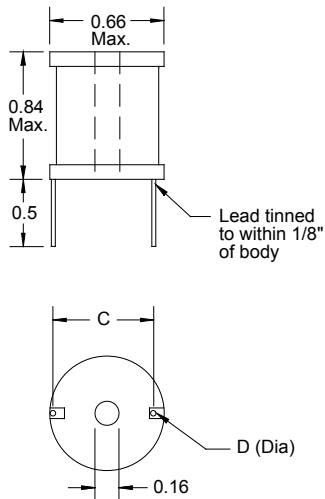
High Current RF Chokes

Special Features

- Very high current capacity
- Low DCR
- Epoxy coated ferrite bobbin core
- VW-1 rated shrink tubing to cover winding
- Self-leaded
- Fixed lead spacing
- Center hole for mechanical mounting
- Dielectric withstanding voltage:
2500VRMS terminal to shrink tube cover;
1000VRMS terminal to core
- Operating temperature -55 to +105°C

Notes

- * Rated current to cause 50°C max. temperature rise and 5% max. inductance drop



Dimensions: Inches

| 1110 Series | | | | | |
|-------------|--------------------------|------------------|---------------|----------------------|-------------------|
| Part Number | L (μH) ±20% @ 1KHz | DCR Ω Max. | I, dc* (A) | Dim. C Approx. | Dim. D Nom. |
| 1110-1R0M | 1.0 | 0.003 | 9 | 0.55 | 0.051 |
| 1110-1R2M | 1.2 | 0.003 | 9 | 0.55 | 0.051 |
| 1110-1R5M | 1.5 | 0.004 | 9 | 0.55 | 0.051 |
| 1110-1R8M | 1.8 | 0.004 | 9 | 0.55 | 0.051 |
| 1110-2R2M | 2.2 | 0.005 | 9 | 0.55 | 0.051 |
| 1110-2R7M | 2.7 | 0.005 | 9 | 0.55 | 0.051 |
| 1110-3R3M | 3.3 | 0.005 | 9 | 0.55 | 0.051 |
| 1110-3R9M | 3.9 | 0.006 | 9 | 0.55 | 0.051 |
| 1110-4R7M | 4.7 | 0.007 | 9 | 0.55 | 0.051 |
| 1110-5R6M | 5.6 | 0.007 | 9 | 0.55 | 0.051 |
| 1110-6R8M | 6.8 | 0.008 | 9 | 0.55 | 0.051 |
| 1110-8R2M | 8.2 | 0.009 | 9 | 0.55 | 0.051 |
| | ± 10% | | | | |
| 1110-100K | 10 | 0.010 | 9 | 0.55 | 0.051 |
| 1110-120K | 12 | 0.011 | 9 | 0.55 | 0.051 |
| 1110-150K | 15 | 0.015 | 7.2 | 0.53 | 0.045 |
| 1110-180K | 18 | 0.016 | 7.2 | 0.53 | 0.045 |
| 1110-220K | 22 | 0.020 | 5.5 | 0.53 | 0.045 |
| 1110-270K | 27 | 0.030 | 4.5 | 0.53 | 0.040 |
| 1110-330K | 33 | 0.040 | 4 | 0.53 | 0.040 |
| 1110-390K | 39 | 0.046 | 4 | 0.53 | 0.040 |
| 1110-470K | 47 | 0.062 | 2.8 | 0.53 | 0.036 |
| 1110-560K | 56 | 0.069 | 2.8 | 0.53 | 0.036 |
| 1110-680K | 68 | 0.077 | 2.8 | 0.50 | 0.032 |
| 1110-820K | 82 | 0.083 | 2.8 | 0.50 | 0.032 |
| 1110-101K | 100 | 0.095 | 2.8 | 0.50 | 0.032 |
| 1110-121K | 120 | 0.127 | 2 | 0.50 | 0.029 |
| 1110-151K | 150 | 0.181 | 1.6 | 0.50 | 0.029 |
| 1110-181K | 180 | 0.217 | 1.6 | 0.50 | 0.025 |
| 1110-221K | 220 | 0.240 | 1.6 | 0.50 | 0.025 |
| 1110-271K | 270 | 0.300 | 1.6 | 0.47 | 0.020 |
| 1110-331K | 330 | 0.336 | 1.3 | 0.47 | 0.020 |
| 1110-391K | 390 | 0.460 | 1 | 0.47 | 0.020 |
| 1110-471K | 470 | 0.636 | 0.8 | 0.47 | 0.020 |
| 1110-561K | 560 | 0.696 | 0.8 | 0.47 | 0.020 |

Also available as RoHS compliant.

J.W. Miller
MAGNETICS

306 E. Alondra Blvd. Gardena, CA 90247-1059 • Phone (310) 515-1720 • FAX (310) 515-1962

www.jwmiller.com