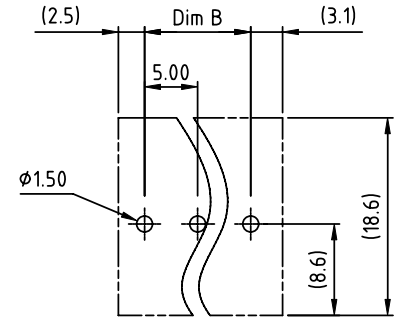
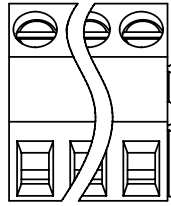
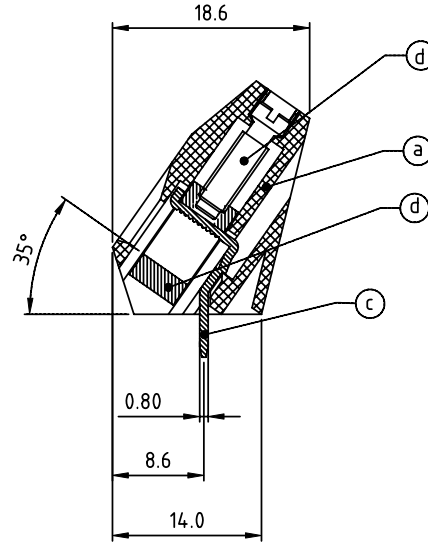
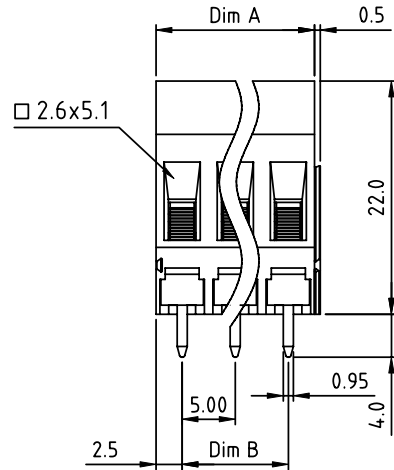


PRODUCT NUMBER	PITCH
TPxx01x000J0G	5.00 mm



RECOMMENDED P.C.B LAYOUT
TOP VIEW



Material:

- Item a Terminal housing :Thermoplastic (UL 94V-0)
- Item b Clamp : Brass , Ni plated
- Item c Solder pin : Brass , Tin plated
- Item d Terminal screw: Steel Zinc plating"-slot type

Electrical cULus

- Voltage rating: 300VAC
- Current rating: 10A
- Wire range:
- Solid wire(AWG): 12-24
- Stranded wire(AWG): 12-24
- Torque(Lb-In): 3.5
- Screw: M2.5
- Wire strip length: 6-7mm
- Withstanding Voltage: 1.6KV
- Operating temperature: -40°C to +115°C
- Soldering temperature: 260°C±5°C/5 Sec
- Safety Approval:

Dimension A&B

DIM A	N×5.0
DIM B	(N-1)×5.0

N=Number of poles

Poles	Tolerance
2p-6p	±0.15
7p-12p	±0.20
13p-18p	±0.25
19p-24p	±0.30

PART NO.: TP xx 0 1 x 0 00J0 G

End stackable	0 Black (RAL9005)	RoHS compliant
No. of poles	2 Red (RAL3001/D)	(lead<4%)
02 2 poles	3 Orange(RAL2011/P)	In copper Alloy
03 3 poles	4 Yellow(RAL1018/A)	
...	5 Green(RAL6018/T)	
24 24 poles	6 Blue (RAL5015/A)	
	8 Grey(RAL7035/D)	
	9 White(RAL1102)	
	C Green(RAL6018/U)	

mat'l. code		surface ASME Y14.5	tolerance ASME Y14.5	projection	product family
ltr	ecn no	dr	date		TERMINAL BLOCK
				tolerances unless otherwise specified	title
				angles	TERMINAL BLOCK
				X±0.5	RISGING CLAMP,35D WIRE INLET
				X.X±0.3	scale
				X*±1*	X.XX±0.1
				dr	EVIN ZHONG 040814
				enr	EVIN ZHONG 040814
				chr	HANKE FENG 040814
				appd	SHI JUN 040814
sheet index		revision	A		dwg no
		sheet	1		TPxx01x000J0G
				sheet 1 of 1	size
				A4	
				type	CUSTOMER Drawing