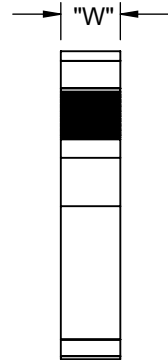
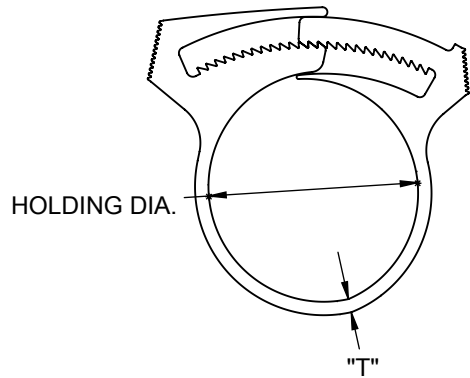


SHC-16GF*



PART NO.	HOLDING DIAMETER RANGE	THICKNESS "T"	WIDTH "W"
SHC-16GF*	1/4 - 5/16 [6.4-7.9]	.040 [1]	.13 [3.3]
SHC-23	23/64 - 25/64 [9.1-9.9]	.07 [1.8]	.22 [5.6]
SHC-26	25/64 - 15/32 [9.9-11.9]		
SHC-30	15/32 - 17/32 [11.9-13.5]		
SHC-32	17/32 - 19/32 [13.5-15.1]		
SHC-38	19/32 - 21/32 [15.1-16.7]		
SHC-44	11/16 - 13/16 [17.5-20.6]		
SHC-50	3/4 - 7/8 [19.1-22.2]		
SHC-56	7/8 - 1 [22.2-25.4]		
SHC-62	61/64 - 1 3/32 [24.2-27.8]		
SHC-68	1 1/32 - 1 3/16 [26.2-30.2]		
SHC-80	1 1/4 - 1 7/16 [31.8-36.5]		
SHC-92	1 13/32 - 1 5/8 [35.7-41.3]		
SHC-134	2 1/8 - 2 3/8 [54-60.3]	.40 [10.2]	

* ONLY AVAILABLE IN GLASS FILLED NYLON MATERIAL.

NOTES:

1. MATERIAL: NYLON 6/6 UL94 HB (RMS-73).
GLASS FILLED NYLON (RMS-35), AVAILABLE BY SPECIAL ORDER.
2. COLOR: WHITE
BLACK AVAILABLE BY SPECIAL ORDER.

REV.			TITLE:			UNITS:		PRINT TYPE	
H	CORRECTED UL 94 RATING TO HB, SEE ECN # 1370	DZ 07/31/2012	SNAP-IT HOSE CLAMPS			IN [mm]		CA	
G	SEE CO 200718 FOR CHANGES	SK 10/03/2011	FILE #: SHC	DWN: SK	APP: SK	FINAL			
F	SEE CO 200714 FOR CHANGES	SK 09/27/2011	SHEET: 1 OF 1	SHEET SIZE: A	DT: 09/09/11	CHKD: MJB	PART #		
E	SEE CO 200707 FOR CHANGES	SK 09/12/2011	RE: RICHCO, INC.	RICHCO, INC.		SEE TABLE			
-	SEE ENG FOR REV A TO D	--	--		WWW.RICHCO-INC.COM				
REV.	DESCRIPTION	ENGR. DATE	TOLERANCES UNLESS NOTED .XX=±.010 .XXX=±.005 FRAC.=±1/64 ANG.=±1°						