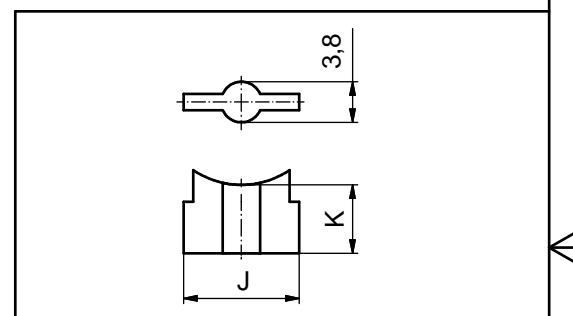
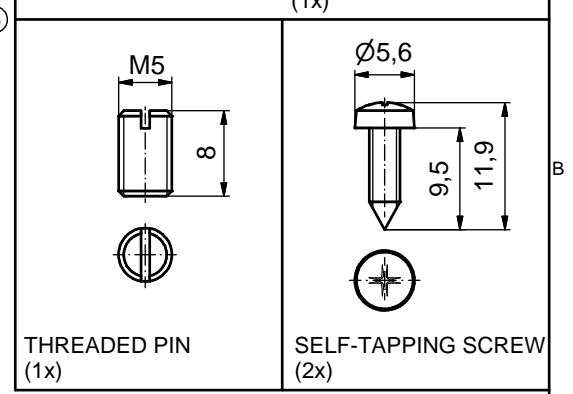
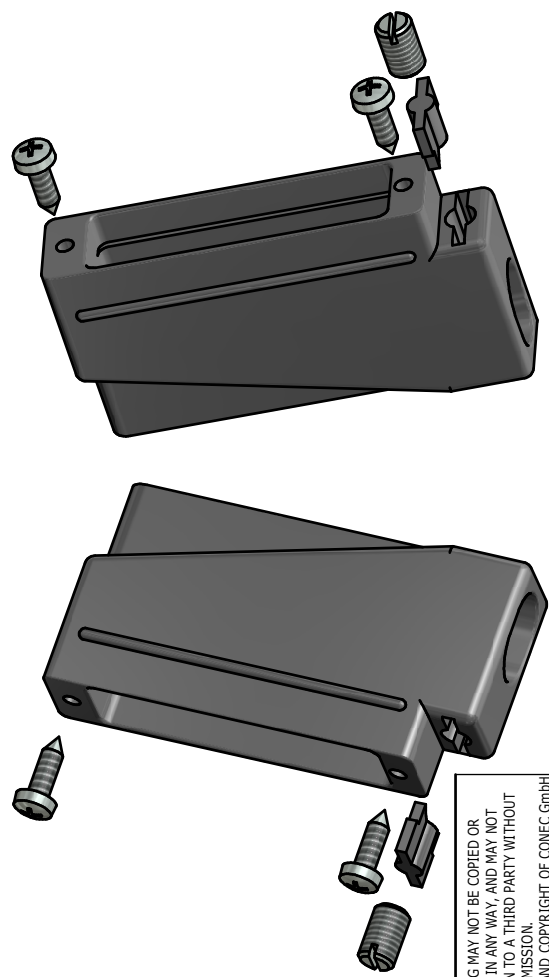


POS.	A	B	C	D	E	F	G	H	J	K	PART-NO.
9	30.9	25.0	25.4	7.1	---	---	12.7	14.3	10.8	5.0	165X10439X
15	39.3	33.3	25.4	9.1	---	---	12.7	14.3	10.8	5.0	165X10449X
25	53.2	47.0	31.7	---	12.5	9.1	12.7	14.3	10.8	6.4	165X10459X
37	69.4	63.5	38.1	---	17.6	9.1	12.7	14.3	10.8	11.0	165X10469X
50	67.1	61.1	38.1	---	18.6	11.9	15.5	17.0	13.8	11.4	165X10479X



CABLE STRAIN RELIEF (1x)



THREADED PIN (1x)

SELF-TAPPING SCREW (2x)

(b)

NOTES:

1. HOOD: POLYAMIDE 6 UL 94 V-0; BLACK
2. CABLE STRAIN RELIEF: POLYAMIDE 6 UL 94 V-0; BLACK
3. THREADED PIN: STEEL; ZINC PLATED
4. SELF-TAPPING SCREWS: STEEL; ZINC PLATED
5. OPERATING TEMPERATURE: -40°C to +125°C

Directive 2011/65/EU RoHS compliant

THIS DRAWING MAY NOT BE COPIED OR REPRODUCED IN ANY WAY, AND MAY NOT BE PASSED ON TO A THIRD PARTY WITHOUT WRITTEN PERMISSION. OWNERSHIP AND COPYRIGHT OF CONEC GmbH				tolerance		dim. in mm	scale: 2:1	
				date			material: SEE NOTES	
DO NOT ALTER CAD DRAWING BY HAND				drawn	25.10.95	Barcinski	title: D-SUB PLASTIC HOOD SIDE CABLE ENTRY 9-50pos.	
				appd.	25.10.95	Mickenbecker		
5 x b A5400 22.10.2014 Lehm.				norm	dwg no:			
				d-old			16V11P5A	
rev.	description	date	name	CONEC		part no:		SEE TABLE
a	Original							