

# Customer Information Sheet

DRAWING No.: M20-997XXXX

SHEET 2 OF 2

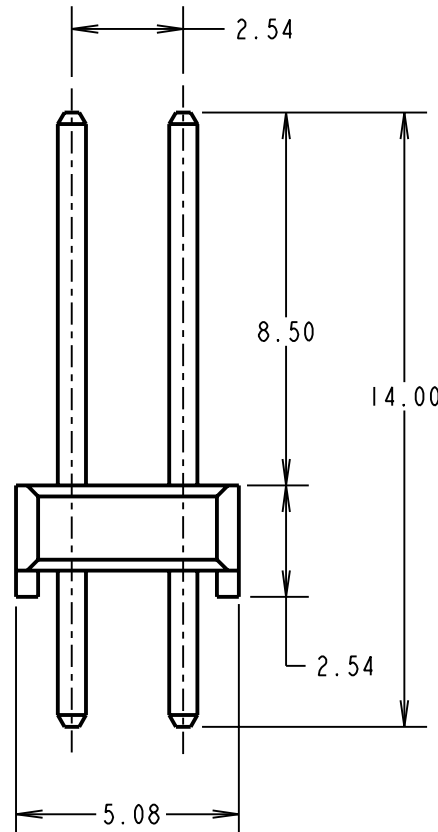
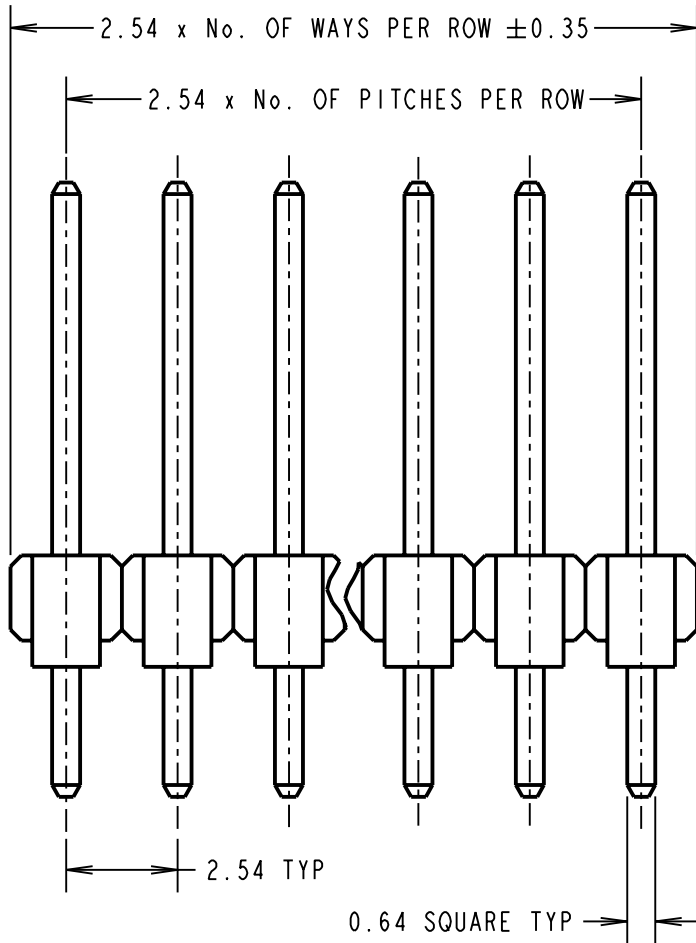
IF IN DOUBT - ASK

(C)

NOT TO SCALE

THIRD ANGLE PROJECTION

ALL DIMENSIONS IN mm



**SPECIFICATION:**

**MATERIAL:**

MOULDING = HIGH TEMP NYLON 6T UL94V-0, BLACK

PINS = BRASS

**FINISH:**

PINS:

45 = GOLD

46 = 100% TIN OVER NICKEL

**ELECTRICAL:**

CURRENT RATING = 3A MAX

CONTACT RESISTANCE = 25 mΩ MAX (GOLD), 30 mΩ MAX (TIN)

INSULATION RESISTANCE = 1,000 MΩ MIN

DIELECTRIC STRENGTH = 750V AC/DC

**MECHANICAL:**

DURABILITY = 300 OPERATIONS (GOLD), 50 OPERATIONS (TIN)

**ENVIRONMENTAL:**

TEMPERATURE RANGE = -40°C TO +105°C

**PACKING:**

BAG

**NOTES:**

1. ALL TOLERANCES ARE ±0.25mm UNLESS OTHERWISE STATED.
2. RECOMMENDED PCB MOUNTING HOLE SIZE = Ø1.00mm.
3. SUITABLE FOR USE WITH BOTTOM ENTRY SOCKETS.

ORDER CODE:

**M20-997XXXX**

No. OF CONTACTS PER ROW  
01 TO 40

**FINISH**

45 = GOLD

46 = 100% TIN

CP	14	14.09.09	10298
NAME	ISS.	DATE	C/NOTE
APPROVED: C.PENROSE			
CHECKED: R.ADDE			
DRAWN: K. SHIER			
CUSTOMER REF.:			
ASSEMBLY DRG:			

**HARWIN**

HARWIN USA  
TEL: 603 893 5376  
FAX: 603 893 5396  
mis@harwin.com

HARWIN Europe (UK)  
TEL: 023 9231 4545  
FAX: 023 9231 4590  
mis@harwin.co.uk

HARWIN Asia  
TEL: +65 6 779 4909  
FAX: +65 6 779 3868  
mis@harwin.com.sg

THIS DRAWING AND ANY INFORMATION OR DESCRIPTIVE MATTER SET OUT HEREON ARE CONFIDENTIAL AND COPYRIGHT PROPERTY OF THE HARWIN GROUP AND MUST NOT BE DISCLOSED, LOANED, COPIED OR USED FOR MANUFACTURING, TENDERING OR FOR ANY OTHER PURPOSE WITHOUT THEIR WRITTEN PERMISSION.

**TOLERANCES**  
X = ±1mm  
X.X = ±0.25mm  
X.XX = ±0.10mm  
X.XXX = ±0.01mm  
ANGLES = ±5°  
UNLESS STATED

**MATERIAL:**

SEE ABOVE

**FINISH:** SEE ABOVE

**S/AREA:** mm<sup>2</sup>

**TITLE:**

2.54mm PITCH DIL VERTICAL PIN HEADER ASSEMBLY (8.5mm)

**DRAWING NUMBER:**

**M20-997XXXX**

SHT  
2  
OF 2