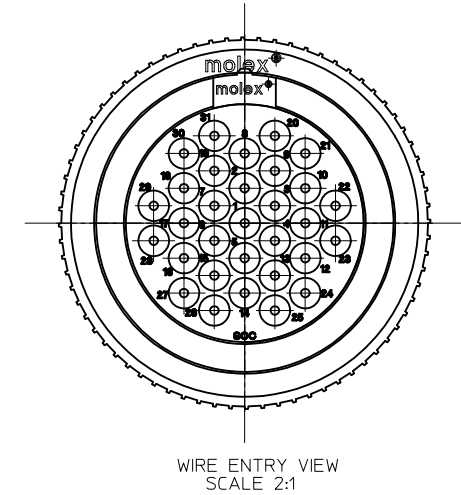
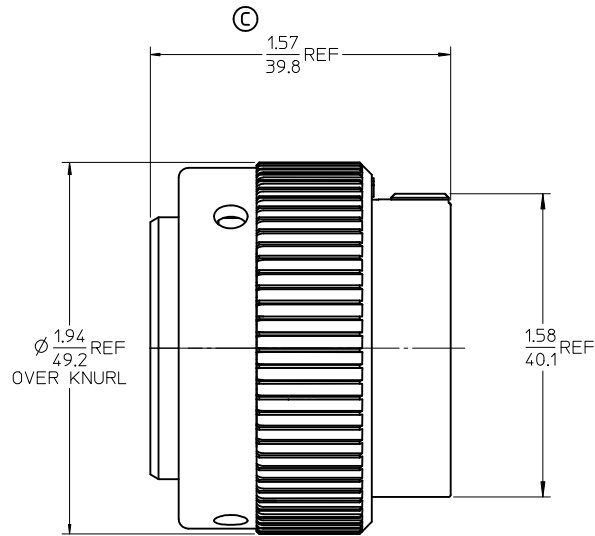
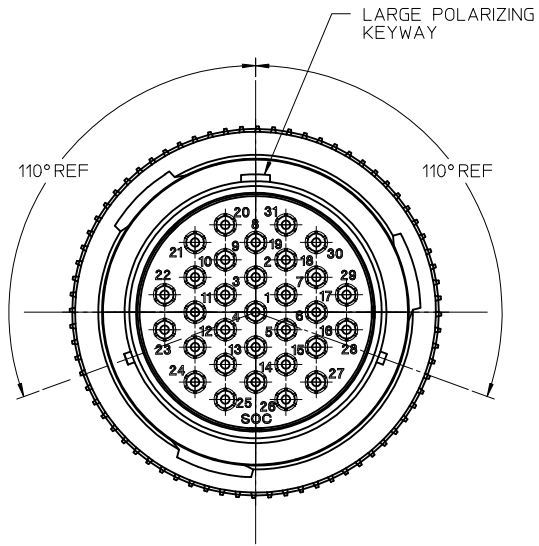
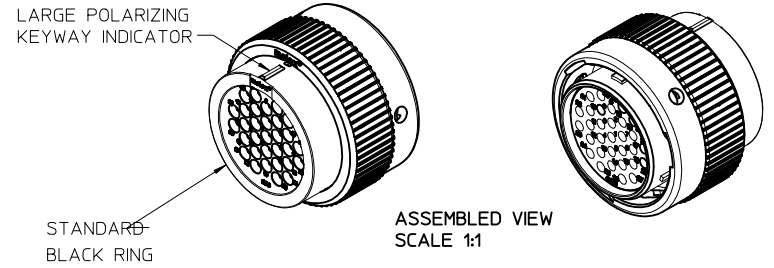


13	12	11	10	9	8	7	6	5	4	3	2	1
MATERIAL NUMBER	WIRE AWG	INSULATION DIA O.D.	RING									
845100004	18-14	.053-.134/1.35-3.40	STANDARD BLACK									

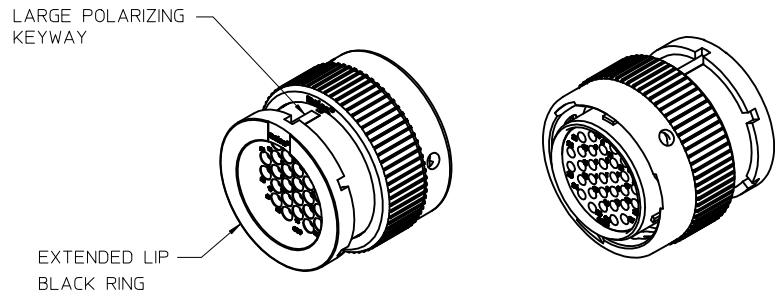


NOTES:

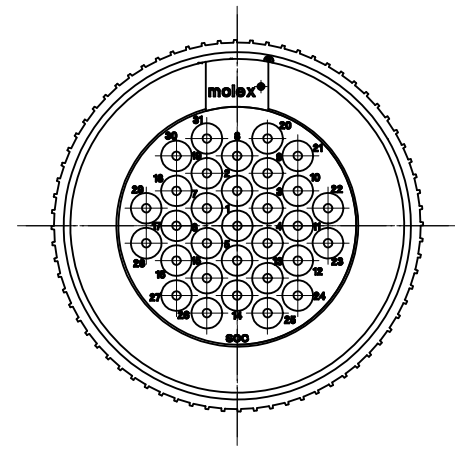
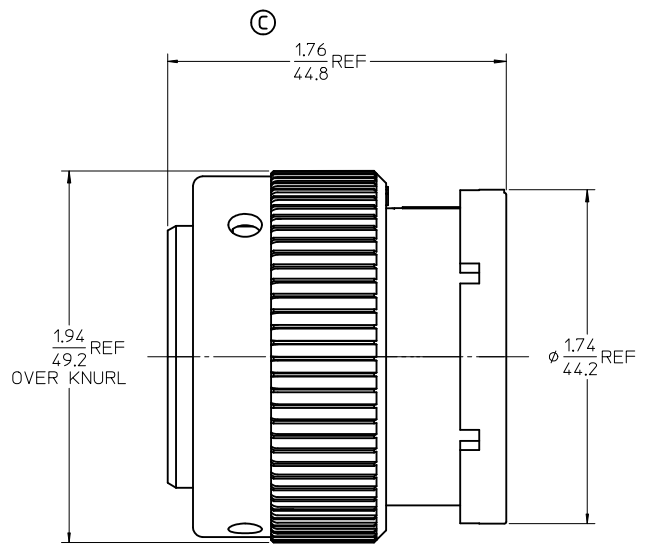
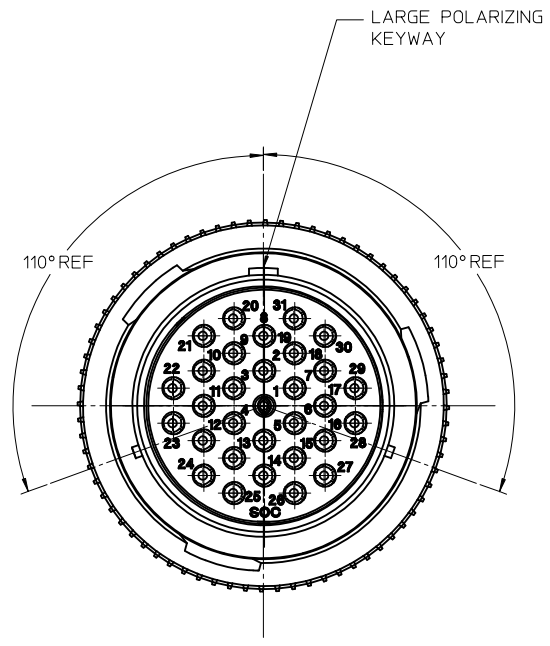
- USE CONNECTOR WITH FEMALE CRIMP TERMINAL SERIES 84525. ©
- MATES WITH RECEPTACLE CONNECTOR SERIES 84511.
- ASSEMBLY IS ROHS COMPLIANT.
- PACKAGED PER PK-84501-001.

UPDATE DIM. & TERM. SERIES EC NO: WNA2011-0306 DRAWING NO: 2010/12/13 CHKD: JPAWLICKI APPR: DITILUS 2011/01/14	QUALITY SYMBOLS	GENERAL TOLERANCES (UNLESS SPECIFIED)		DIMENSION STYLE		SCALE	DESIGN UNITS	THIRD ANGLE PROJECTION	
	▽=0	mm	INCH	IN/MM		2:1	INCH		
	▽=0	4 PLACES ± --- ± ---	3 PLACES ± --- ± ---	DRAWN BY	DATE	TITLE			
		2 PLACES ± --- ± .015	1 PLACE ± 0.38 ± ---	BRUPERT	2006/2/8	PLUG CONNECTOR ASSEMBLY, 24-31 POS SOCKET TERMINALS			
	ANGULAR ± 2 °		APPROVED BY		DATE	MOLEX INCORPORATED			
	DRAFT WHERE APPLICABLE MUST REMAIN WITHIN DIMENSIONS		RDEROSS		2006/6/7	DOCUMENT NO. SD-84510-002			
			MATERIAL NO.		845100004		SHEET NO. 1 OF 2		
			SIZE		THIS DRAWING CONTAINS INFORMATION THAT IS PROPRIETARY TO MOLEX INCORPORATED AND SHOULD NOT BE USED WITHOUT WRITTEN PERMISSION				

13	12	11	10	9
MATERIAL NUMBER	WIRE AWG	INSULATION DIA O.D.	RING	
845100005	18-14	.053-.134/1.35-3.40	EXTENDED LIP, BLACK	



ASSEMBLED VIEW  
SCALE 1:1



WIRE ENTRY VIEW  
SCALE 2:1

NOTES:

1. USE CONNECTOR WITH MALE CRIMP TERMINAL SERIES 84525. ©
2. MATES WITH RECEPTACLE CONNECTOR SERIES 84506.
3. USE CONNECTOR WITH STRAIN RELIEF BACKSHELL, MOLEX MATERIAL NO. 84537-0003.
4. ASSEMBLY IS ROHS COMPLIANT.
5. PACKAGED PER PK-84501-001.

UPDATE DIM. & TERM. SERIES EC NO: MNA2011-0306 DRAWING NO: 2010/12/13 CHKD: DRW:WLEUNG APPR:DTITUS 2011/01/14	QUALITY SYMBOLS	GENERAL TOLERANCES (UNLESS SPECIFIED) <table border="1"> <tr> <th></th> <th>mm</th> <th>INCH</th> </tr> <tr> <td>4 PLACES</td> <td>± .005</td> <td>± .0005</td> </tr> <tr> <td>3 PLACES</td> <td>± .005</td> <td>± .0005</td> </tr> <tr> <td>2 PLACES</td> <td>± .015</td> <td>± .0015</td> </tr> <tr> <td>1 PLACE</td> <td>± .038</td> <td>± .0038</td> </tr> </table> ANGULAR ± 2°		mm	INCH	4 PLACES	± .005	± .0005	3 PLACES	± .005	± .0005	2 PLACES	± .015	± .0015	1 PLACE	± .038	± .0038	DIMENSION STYLE IN/MM	SCALE 1:1	DESIGN UNITS INCH	THIRD ANGLE PROJECTION
			mm	INCH																	
	4 PLACES		± .005	± .0005																	
	3 PLACES		± .005	± .0005																	
2 PLACES	± .015	± .0015																			
1 PLACE	± .038	± .0038																			
DESCRIPTION	DRAWN BY BRUPERT	DATE 2006/2/8	TITLE PLUG CONNECTOR ASSEMBLY, 24-31 POS SOCKET TERMINALS																		
REV	CHECKED BY JPAWLICKI	DATE 2006/6/6	MATERIAL NO. 845100005																		
	APPROVED BY RDEROSS	DATE 2006/6/7	DOCUMENT NO. SD-84510-002																		
	DRAFT WHERE APPLICABLE MUST REMAIN WITHIN DIMENSIONS		THIS DRAWING CONTAINS INFORMATION THAT IS PROPRIETARY TO MOLEX INCORPORATED AND SHOULD NOT BE USED WITHOUT WRITTEN PERMISSION																		