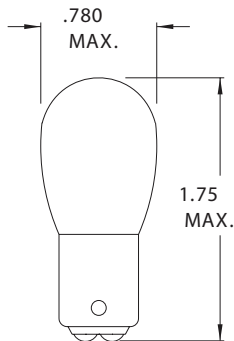
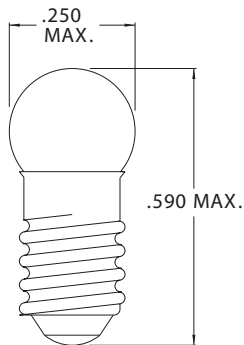


B-6 Double Contact Bayonet Base



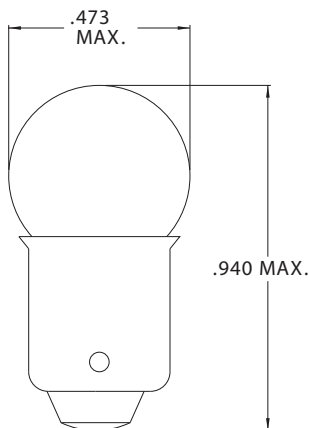
| Part Number | Design Voltage | Amps | MSCP | Life Hours | Filament Type |
|-------------|----------------|------|------|------------|---------------|
| CM210 | 6.5 | 1.78 | 15.0 | 100 | C-6 |
| CM1014 | 6.6 | 1.50 | 10.0 | 200 | C-6 |
| CM1061 | 6.7 | 1.80 | 13.0 | 400 | C-6 |
| CM104 | 12.8 | 1.00 | 12.0 | 500 | C-6 |
| CM1004 | 12.8 | .94 | 15.0 | 100 | C-6 |

G-2 Midget Screw Base



| Part Number | Design Voltage | Amps | MSCP | Life Hours | Filament Type |
|-------------|----------------|------|------|------------|---------------|
| CM162 | 7.0 | .065 | .085 | 1,000 | C-2V |
| CM163 | 14.0 | .065 | .066 | 1,000 | C-2F |
| CM333 | 28.0 | .040 | .320 | 1,000 | C-2F |

G-3 1/2 Miniature Bayonet Base



| Part Number | Design Voltage | Amps | MSCP | Life Hours | Filament Type |
|-------------|----------------|------|------|------------|---------------|
| CM354 | 2.47 | .300 | .50 | 15 | C-2R |
| CM130 | 6.3 | .150 | .32 | 5,000 | C-2R |
| CM219 | 6.3 | .250 | .50 | 5,000 | C-2V |
| CM137 | 6.6 | .250 | .55 | 5,000 | C-2R |
| CM51 | 7.5 | .220 | 1.0 | 1,000 | C-2R |
| CM363 | 14.0 | .200 | 2.0 | 250 | C-2V |
| CM53 | 14.4 | .120 | 1.0 | 1,000 | C-2V |
| CM53X | 14.4 | .120 | .75 | 3,000 | C-2V |
| CM182 | 14.4 | .180 | 1.0 | 2,000 | C-2F |
| CM250 | 14.4 | .120 | .50 | 2,500 | C-2F |
| CM1445 | 14.4 | .135 | .70 | 2,000 | C-2V |
| CM1450 | 24.0 | .035 | .23 | 3,000 | C-2F |
| CM265 | 28.0 | .080 | .75 | 5,000 | C-2F |
| CM356 | 28.0 | .170 | 3.5 | 500 | C-2V |