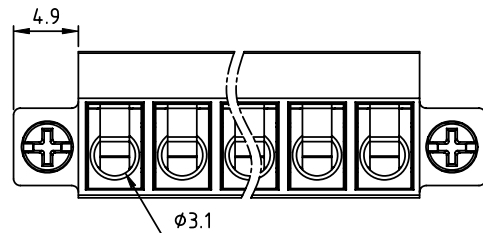
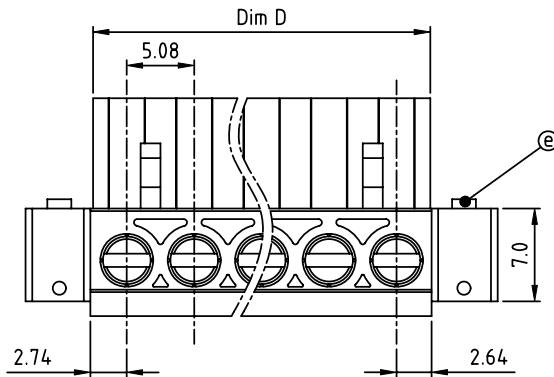
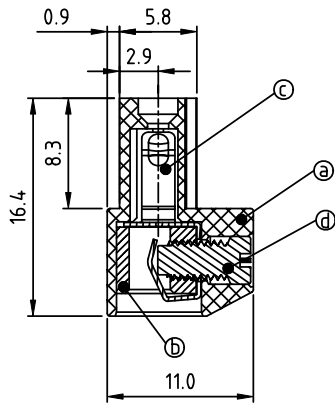
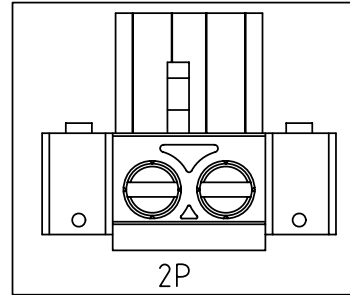
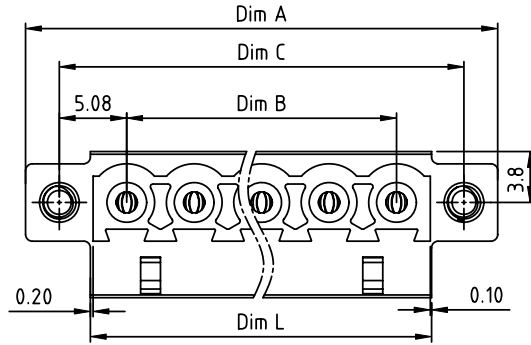


PRODUCT NUMBER	PITCH
EZxx51x200J0G	5.08 mm



- Material:
- Item ① Terminal(housing): Thermoplastic (UL94V-0)
 - Item ② Clamp: Brass(CuZn) Ni plated
 - Item ③ Female contact: PhBz Tin plated
 - Item ④ Terminal Screw: Steel zinc plated. "-" solt type
 - Item ⑤ With flange screw: M2.5 Steel Zinc plated. "+/-" solt type

- Electrical: cULus
- Voltage rating: 300 V
 - Current rating: 15 A
 - Wire range:
 - Solid wire(AWG):12-22
 - Stranded wire(AWG):12-22
 - Torque: 4.3 Lb-In
 - Screw:M3
 - Wire strip length:7-8 mm
 - Withstanding Voltage:1.6KV
 - Operating temperature:-40°C to +115°C
 - Safety Approval:

N=NUMBER OF POLES

Dim L=Nx5.08+0.3	
Dim A=(N-1)x5.08+15.24	
Dim B=(N-1)x5.08	
Dim C=(N-1)x5.08+10.16	
Dim D=Nx5.08	
POLES	Tolerance
2P-6P	±0.15
7P-12P	±0.20
13P-18P	±0.25
19P-24P	±0.30

PART NO.: EZ xx 51 x 2 00J0 G

Solid block	0	Black (RAL9005)	RoHS compliant (lead<4%)
No. of poles	2	Red (RAL3001/D)	In copper Alloy
02	2 poles	3 Orange(RAL2011/P)	
03	3 poles	4 Yellow(RAL1018/A)	
...	...	5 Green(RAL6018/T)	
24	24 poles	6 Blue (RAL5015/A)	
		8 Grey(RAL7035/D)	
		9 White(RAL1102)	
		C Green(RAL6018/U)	

mat'l. code	surface ASME Y14.5	tolerance ASME Y14.5	projection 	product family TERMINAL BLOCK
ltr	ecn no	dr	date	title
				TERMINAL BLOCK PLUGGABLE PLUG, WITH FLANGE
	angles 	X.±0.5	MM	scale
	±	X.X±0.3		
	X*±1"	X.XX±0.1		
dr	EVIN ZHONG	041814		dwg no
engr	EVIN ZHONG	041814		sheet 1 of 1
chr	HANKE FENG	041814		size
appd	SHI JUN	041814		A4
sheet index	revision	A		type
	sheet	1		CUSTOMER Drawing