

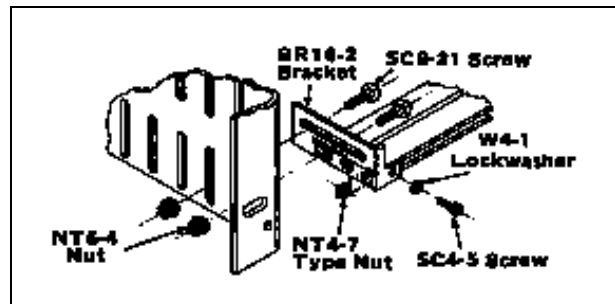
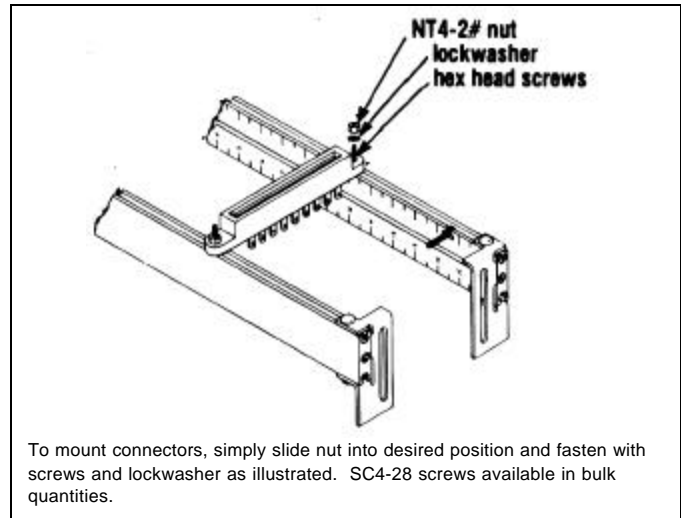
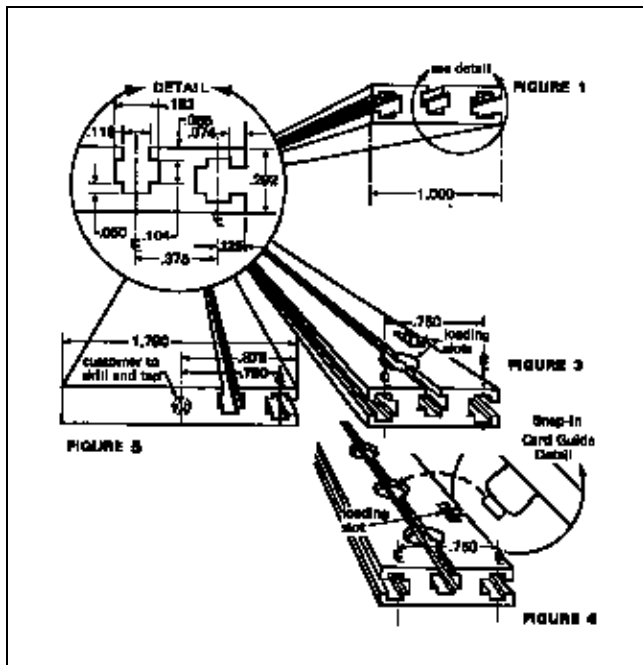
T-Struts

Vector T-Struts can be used for custom assemblies or to fit existing cage assemblies. Available with three nut slots. As an alternative, mounting brackets (BR16A, available separately) may be used to attach struts to cages. Strut material is aluminum with clear anodized finish. Struts are attached to side panels with 10-32 screws (Part No. HD90).

T-Struts

Hardware Kit - HD34

HD34 is a complete connector mounting kit consisting of:
 42, 4-40 screws (SC4-28)
 42 nuts (NT4-2)
 42 lockwashers



Figures showing T-Strut features - see table

NT4-7PA: Pkg 25 nuts in a plastic carrier for rapid loading into TS series middle groove

End Part No.	Length	Width	Method of Fastening	Fig.	Description
TS81	8.12"	1"	BR16 Brackets or HD90 Screws	1	1" wide T-strut, Pk. of 1 each
TS81-5/90	8.12"	1"	BR16 Brackets or HD90 Screws	4	1" wide T-strut, Pk. of 1 each
TS169	16.85"	1"	BR16 Brackets or HD90 Screws	1	1" wide T-strut, Pk. of 1 each
TS169A	16.85"	1"	BR16 Brackets or HD90 Screws	2	1" wide T-strut, Pk. of 1 each
TSW169	16.85"	1.75"	HD90 Screws	5	1.75" wide T-strut, Pk. of 1 each
TS169-6/90	16.85"	1"	HD90 Screws	4	1" wide T-strut, Pk. of 1 each, dimpled for Snap-in guide insertion
TS209	20.85"	1"	BR16 Brackets or HD90 Screws	1	1" wide T-strut, Pk. of 1 each
TS300	30.00"	1"	Raw Stock	1	1" wide T-strut, Pk. of 1 each
TS300A	30.00"	1"	Raw Stock	2	1" wide T-strut, Pk. of 1 each
TSW300	30.00"	1.75"	Raw Stock	5	1.75" wide T-strut, Pk. of 1 each
TS600	60.00"	1.75"	Raw Stock/pkg.	3	1.75" wide T-strut, Pk. of 4 pcs.

Custom lengths available on request

Subracks