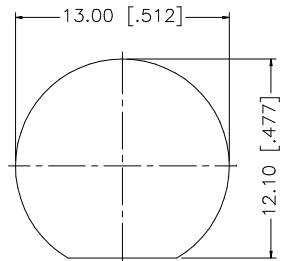
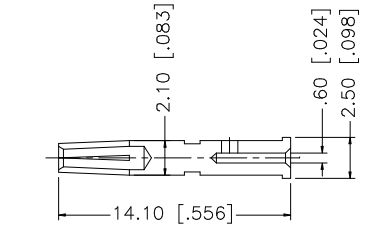
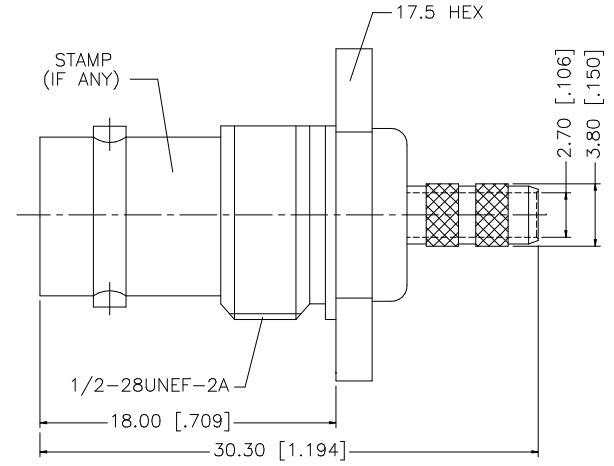
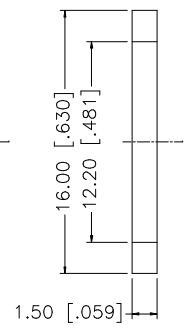
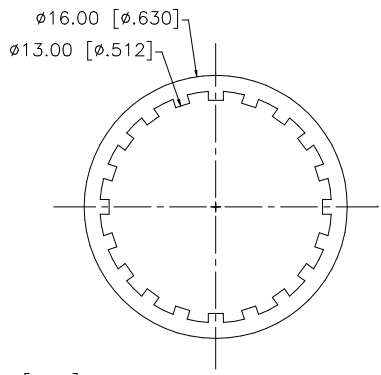
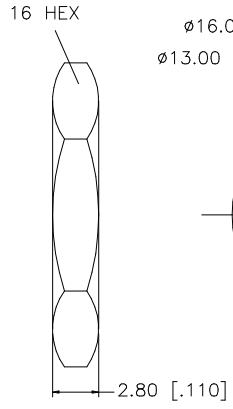
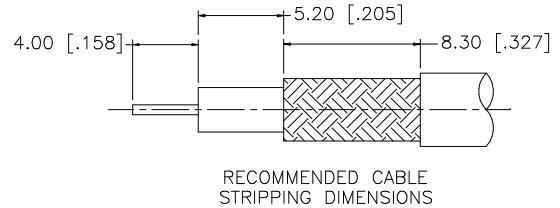


REV.	DATE	DESCRIPTION
NC	02/21/03	INITIAL RELEASE



RECOMMENDED MOUNTING HOLE

- NOTE:
1. CRIMPED FERRULE
HEX CRIMP SIZE .178"
 2. CRIMPED CONTACT PIN
HEX CRIMP SIZE .068"

QTY	DESCRIPTION	MATERIAL	FINISH
1	BODY/HOUSING	BRASS	NICKEL
1	INSULATOR	TEFLON	NATURAL
2	CONTACT PIN	PHOS. BRONZE	GOLD
3	GASKET	RUBBER	RED
4	GASKET	RUBBER	RED
5	LOCK WASHER	BRASS	NICKEL
6	HEX NUT	BRASS	NICKEL
7	FERRULE	COPPER	NICKEL
8			

UNLESS OTHERWISE SPECIFIED DIMENSIONS ARE IN MILLIMETERS. DIMENSIONS IN [] ARE IN INCHES AND FOR CUSTOMER REFERENCE ONLY.

UNLESS OTHERWISE SPECIFIED TOLERANCES FOR MILLIMETERS ARE:
0.5 - 8mm ± 0.20mm
8 - 30mm ± 0.40mm
30 - 120mm ± 0.50mm

UNLESS OTHERWISE SPECIFIED TOLERANCES FOR INCHES ARE:
.020 - .315 = ± 0.007"
.315 - 1.180 = ± 0.015"
1.180 - 4.724 = ± 0.020"

DO NOT SCALE DRAWING

APPROVALS	DATE
DRAWN G.R.S.	02/24/03
CHECKED	
ISSUED	
SHEET 1 OF 1	
CAD FILE C:/112/112568.DWG	

Amphenol Connex

PART DESCRIPTION
**BNC BULKHEAD CRIMP JACK
(FOR BELDEN 8218 CABLE)**

PART NO. **112568**

DWG. NO. 112568.DWG	REV. NC	SIZE A	SCALE NA
---------------------	---------	--------	----------