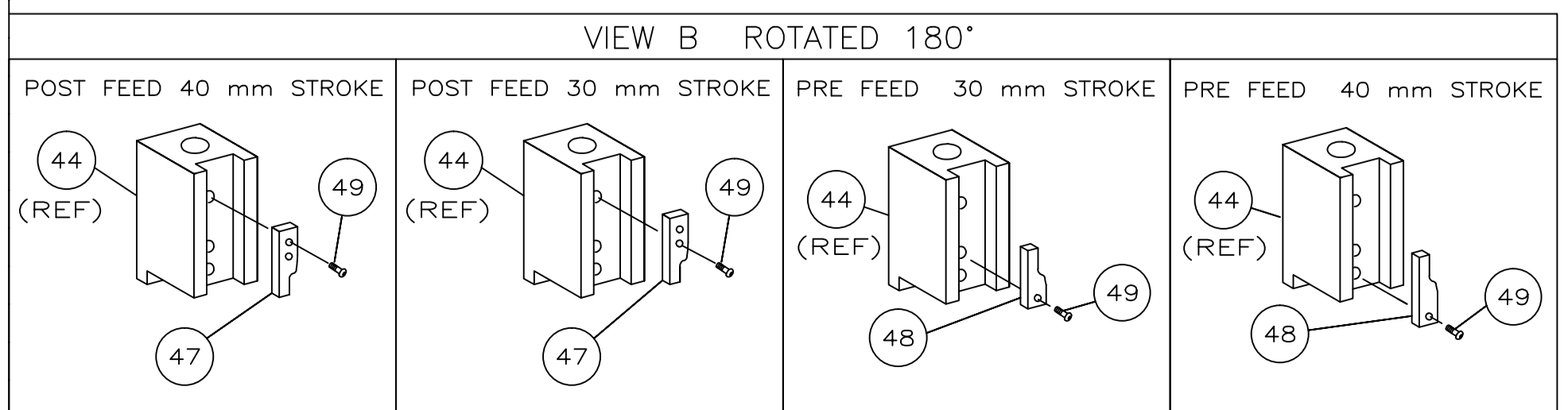


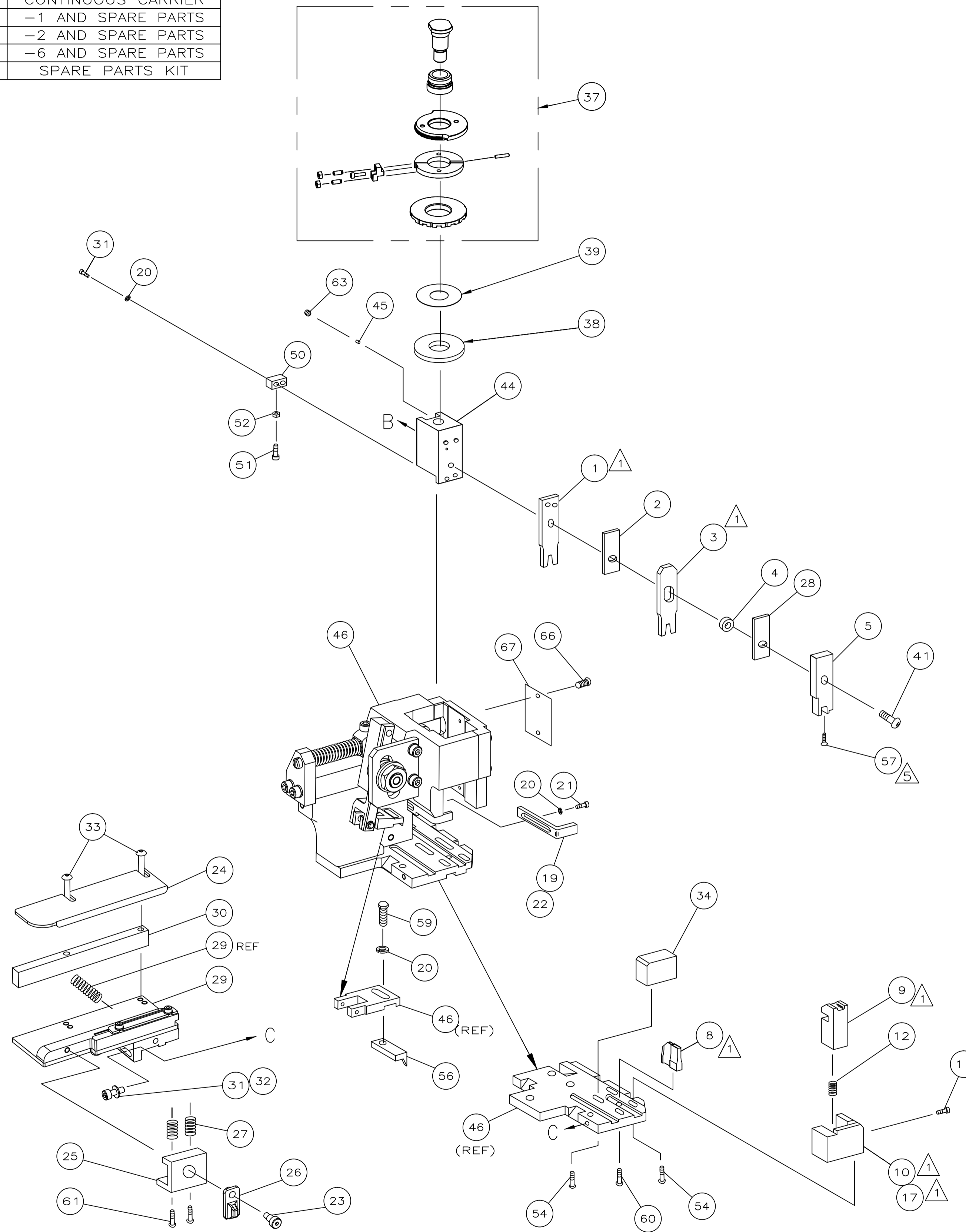
Table with columns: PART NUMBER, REV, FIRST USED, TERMINATOR, FEED TYPE, DESCRIPTION. Lists various carrier and spare parts like LEADMAKER MECH POST FEED CUTS CARRIER.

CRIMP DATA PACKARD TERMINAL AMP CRIMP SPECS. Includes wire size (0.50mm²), crimp height (1.17 ±0.05), and terminal applied table.

SET UP GAGE LAYOUT L1528030. Includes crimp data table with columns for wire size, crimp height, and ref setting.



* WARNING: ON INSTALLATION, SET WIRE DISC TO LARGEST WIRE SIZE SETTING. USE OF SETTINGS BELOW MIN REQ'D CRIMP HEIGHT SETTING WILL CAUSE DAMAGE TO CRIMP TOOLING.



Large parts list table with columns for QTY REQD PER ASSY, PART NO, and DESCRIPTION. Lists items like SPRING, SHEAR, STOP, SHEAR, HOLDER, SHEAR, FRONT (NO-CUT), etc.

Controlled drawing information block including dimensions (INCHES), tolerances, material, and customer drawing details.