



UM10729

PCA9955A/B demonstration board OM13483

Rev. 2 — 1 August 2017

User manual

Document information

Info	Content
Keywords	Fm+ I2C-bus, PCA9955A/B, RGB and White LEDs, 16-channel x 8-bit PWMs
Abstract	The OM13483 is an add-on to 9-pin connector of the NXP I2C demo board 2005-1 or Fm+ I ² C-bus development board. This daughter board makes it easy to test and design with the PCA9955A/B, a 16-channel Fast-mode Plus (Fm+) 57 mA constant current and outputs allow up to 20 V for LED supply. This demo board, along with the Win-I2CUSB Lite GUI (PC based), provides an easy to use evaluation platform.



Revision history

Rev	Date	Description
2.0	20170801	Added PCA9955B; updated schematics
1.0	20140723	User manual; initial release.

Contact information

For more information, please visit: <http://www.nxp.com>

For sales office addresses, please send an email to: salesaddresses@nxp.com

1. Introduction

The PCA9955A/B evaluation board features LEDs for color mixing, blinking and dimming demonstrations. A graphical interface allows the user to explore the different functions of the driver easily. The board can be connected in series with other I²C demo-boards to create an evaluation system.

The IC communicates to the host via the industry standard I²C-bus/SMBus port. The evaluation software runs under Microsoft Windows PC platform.

2. Features

- A complete evaluation platform for the PCA9955A/B 16-channel Fm+ I²C-bus constant current LED driver
- Easy to use GUI-based software demonstrates the capabilities of the PCA9955A/B
- On-board four white and four RGB LEDs for visual experience
- Convenient test points for easy scope measurements and signal access
- USB interface to the host PC
- No external power supply required

3. Getting started

3.1 Assumptions

Familiarity with the I²C-bus is helpful, but not required.

3.2 Static handling requirements

CAUTION



This device is sensitive to ElectroStatic Discharge (ESD). Therefore care should be taken during transport and handling. You must use a ground strap or touch the PC case or other grounded source before unpacking or handling the hardware.

3.3 Minimum system requirements

- PC Pentium 60 processor (or equivalent), 8 MB RAM, 10 MB of hard drive space
- One USB port (either 2.0 or 1.1 compatible)
- Windows 98SE, ME, 2000, XP, or Vista
- I²C demonstration board 2005-1 (OM6275) or Win-I²CUSB board (from www.demoboard.com)

3.4 Power requirements

The NXP demonstration board I²C 2005-1 and OM13483 hardware obtain power from the PC USB port. Care should be taken not to exceed the USB port current capabilities.

4. Installation

4.1 I2C demo board 2005-1 and Win-I2CUSB Lite software

The OM13483 is a daughter card to the OM6275 I²C demo board 2005-1. You may download the Win-I2CUSB Lite Software, the OM6275 user manual UM10206, and find ordering information at the NXP web site www.nxp.com/demoboard/OM6275.html.

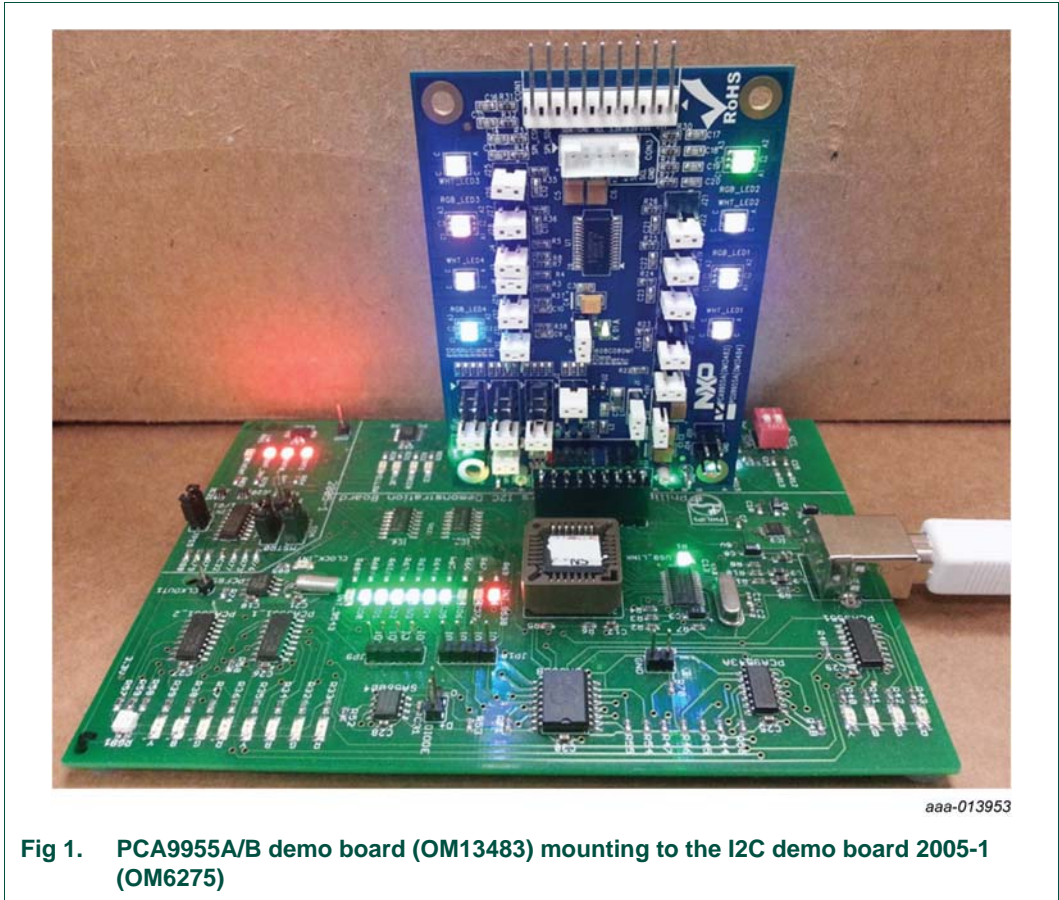
The OM13483 is a daughter card to the OM13260 Fm+ I²C-bus development board, which is part of the Fm+ development board kit (OM13320). You may download the software, user manual, and find ordering information at the NXP web site: www.nxp.com/demoboard/OM13320.html#documentation.

The Win-I2CUSB Lite software from The Boardshop runs on Windows 98SE, ME, 2000, and XP and is compatible with any PC hardware having a minimum of a Pentium processor and a USB port. The software allows the user to select one of the I²C-bus devices on the board from a menu. It also provides a Universal mode (I²C Expert mode) to allow users to create their own I²C-bus commands with the same I²C-bus devices.

4.2 OM13483 connection to I2C demo board 2005-1

The I2C demo board 2005-1 should be disconnected from your PC before mounting the OM13483 board on to it. The OM13483 board has a 9-pin female connector (CON2) that connects to the JP1 male connector on the I2C demo board 2005-1 as shown in [Figure 1](#).

With both boards facing you, and with USB connector on the right-hand side as shown in [Figure 1](#), connect the OM13483 board to the I2C demo board 2005-1 before connecting the USB cable. Once the board is connected, connect the USB cable and start the Win-I2CUSB Lite software. You are now ready to evaluate the PCA9955A/B.



4.3 OM13483 connection to Fm+ I2C bus development board

The OM13260 Fm+ I2C bus development board should be disconnected from your PC before mounting the OM13483 board onto it. The OM13483 board has a 9-pin female connector (CON2) that connects to the CN2 male connector on the bridge board (OM13399) as shown in [Figure 2](#).

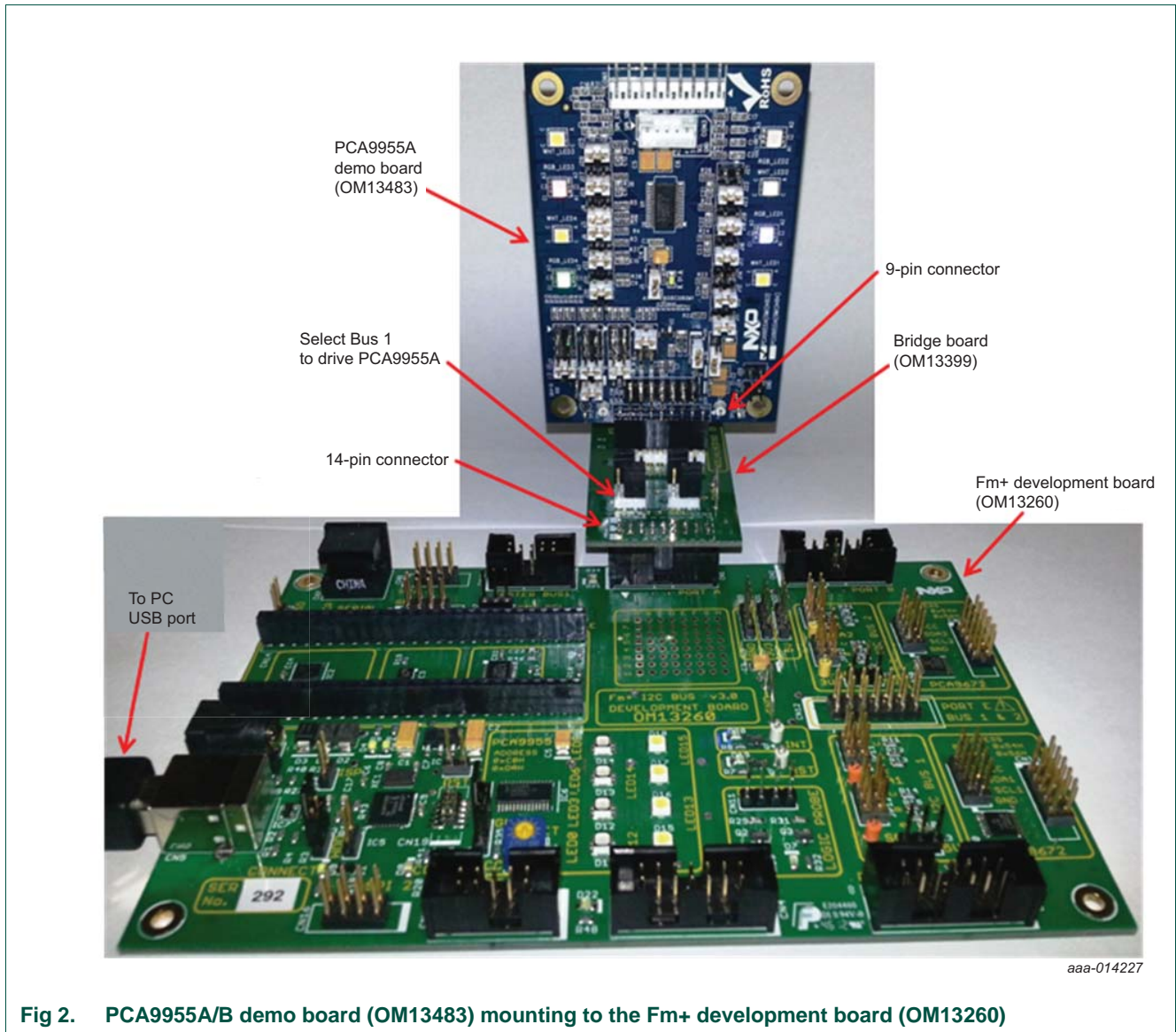


Fig 2. PCA9955A/B demo board (OM13483) mounting to the Fm+ development board (OM13260)

4.4 OM13483 connection to Win-I2CUSB hardware adapter board

The Win-I2CUSB board should be disconnected from your PC before connecting the OM13483 board on to it. The OM13483 board has a 14-pin male connector (CON4) that connects to the 14-pin male connector (J1) on the Win-I2CUSB board as shown in [Figure 3](#).

Connect the OM13483 board to the Win-I2CUSB board before connecting the USB cable. Once the board is connected, connect the USB cable and start the Win-I2CUSB Lite software. You are now ready to evaluate the PCA9955A/B.

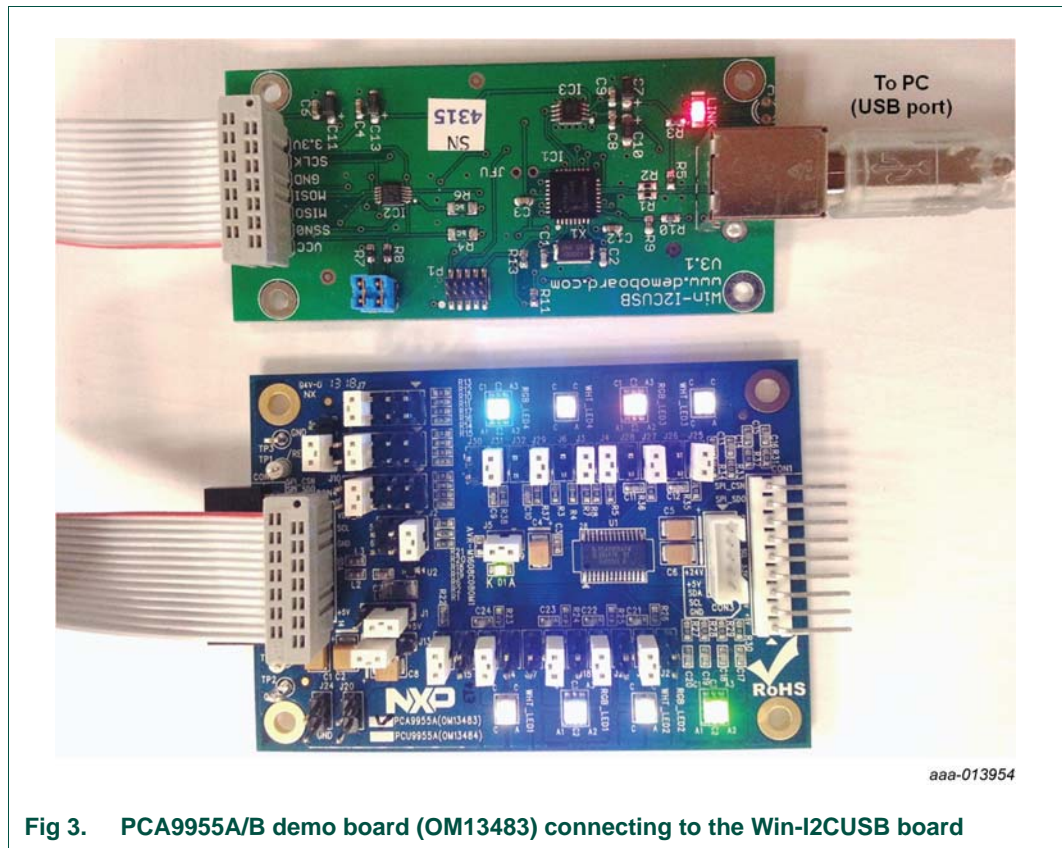


Fig 3. PCA9955A/B demo board (OM13483) connecting to the Win-I2CUSB board

5. Hardware description

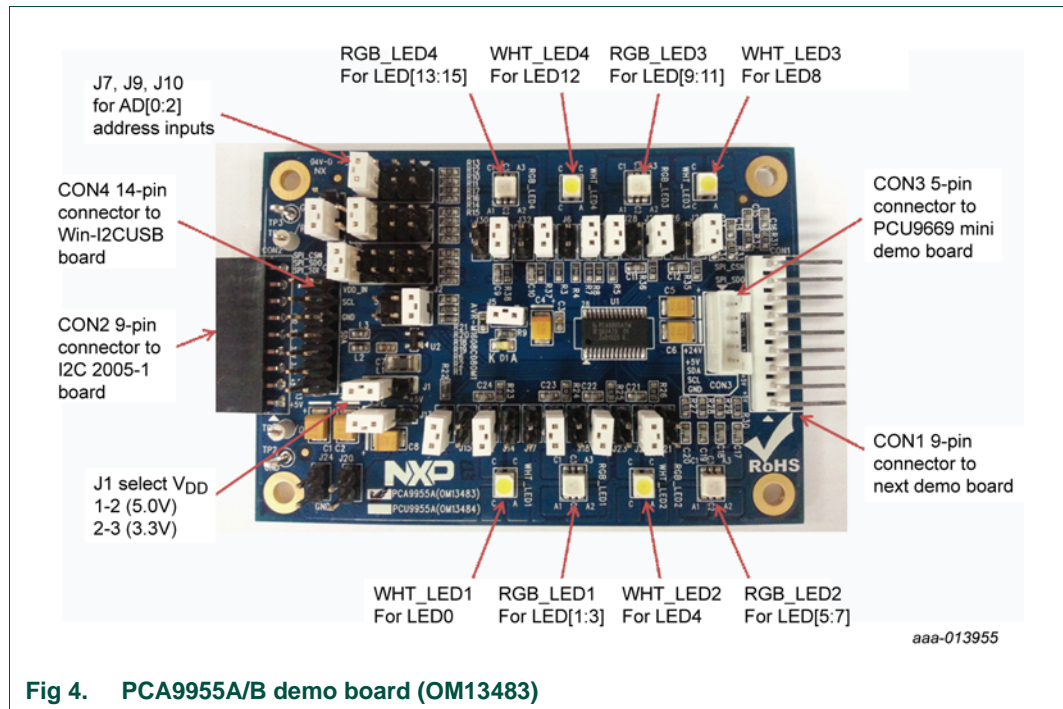


Fig 4. PCA9955A/B demo board (OM13483)

Figure 4 shows the following items on the hardware:

- CON1 (9-pin male connector) is used to daisy-chain to next I²C-bus slave device or demo board.
- CON2 (9-pin female connector) is connected to JP1 on I2C demo board 2005-1 as master device to drive this demo board.
- CON3 (5-pin male connector) is connected to the PCU9669 or PCA9665 mini board as I²C-bus master device to drive this demo board.
- CON4 (14-pin male connector) is connected to J1 on Win-I2CUSB hardware board as I²C-bus master device to drive this demo board.
- J1 selects V_{DD} power for PCA9955A/B, connected 1-2 for V_{DD} = 5 V and connected 2-3 for V_{DD} = 3.3 V.
- J7, J9 and J10 to select one of the five (GND, Pull-down, Floating, Pull-up and V_{DD}) input levels to address inputs AD[0:2] for a maximum of 125 possible programmable I²C-bus slave address.
- LED[0:15] 16-channel output to drive four White LEDs (WHT_LED[1:4]) and four RGB LEDs (RGB_LED[1:4]).
- TP2 and TP3 are GND pins for probing use.
- TP1 can be connected as external reset signal to $\overline{\text{RESET}}$ pin when J6 is open.
- TP4 can be connected as external output enable signal to $\overline{\text{OE}}$ pin for blinking/dimming control when J11 is open.
- All jumpers default setting and function as shown in [Table 1](#).

Table 1. Jumper settings for test and evaluation

Jumper	Default setting	Comment
J1 (3-pin)	1-2 (V _{DD} = +5 V)	This jumper is used to select V _{DD} for PCA9955A/B. 1-2: select +5 V 2-3: select +3.3 V
J2 (3 × 2-pin)	1-2 (R _{EXT} = 1 kΩ, 57 mA at max.)	This 3 × 2 jumper is used to select R _{EXT} (pin 1) value for PCA9955A/B. 1-2: select R _{EXT} = 1 kΩ and maximum output current is 57.3 mA 3-4: select R _{EXT} = 1.5 kΩ and maximum output current is 38.25 mA 5-6: select R _{EXT} = 2 kΩ and maximum output current is 28.6 mA
J3 (2-pin)	Short	Short: external 1.1 kΩ pull-up resistor for SDA on PCA9955A/B. Open: no external pull-up resistor for SDA on PCA9955A/B. Remark: No external pull-up resistor required for PCU9955A.
J4 (2-pin)	Short	Short: external 1.1 kΩ pull-up resistor for SCL on PCA9955A/B. Open: no external pull-up resistor for SCL on PCA9955A/B. Remark: No external pull-up resistor required for PCU9955A.
J5 (2-pin)	Short	Short: connect V _{DD} (pin 28) to PCA9955A/B. Open: connect current meter to measure the I _{DD} on PCA9955A/B.
J6 (2-pin)	Open	Short: force $\overline{\text{RESET}}$ (pin 25) to GND. Open: 10 kΩ pull-up $\overline{\text{RESET}}$ (pin 25) to V _{DD} .
J7 (4 × 2-pin)	7-8 ^[1]	This 4 × 2 jumper is used to select quinary input value for AD0 (pin 2). Open: floating 1-2: select V _{DD} 3-4: select pull-up with 31.6 kΩ 5-6: select pull-down with 34.8 kΩ 7-8: select GND
J8 (3-pin)	1-2	This jumper is used to select bus mode. 1-2: select normal I ² C or SPI addressable bus mode 2-3: select SPI daisy-chain bus mode
J9 (5 × 2-pin)	7-8 ^[1]	This 5 × 2 jumper is used to select quinary input value for AD1 (pin 3). Open: floating 1-2: select V _{DD} 3-4: select pull-up with 31.6 kΩ 5-6: select pull-down with 34.8 kΩ 7-8: select GND 9-10: SDO (Serial Data Out) for SPI addressable mode or last slave device in SPI daisy-chain
J10 (5 × 2-pin)	7-8 ^[1]	This 5 × 2 jumper is used to select quinary input value for AD2 (pin 4). Open: floating 1-2: select V _{DD} 3-4: select pull-up with 31.6 kΩ 5-6: select pull-down with 34.8 kΩ 7-8: select GND 9-10: CSN (Chip Select) for SPI bus mode
J11 (2-pin)	Short	Short: force $\overline{\text{OE}}$ (pin 5) to GND, to enable LEDs output. Open: 10 kΩ pull-up $\overline{\text{OE}}$ (pin 5) to V _{DD} when applying external clock for blinking/dimming on TP4 (test point).

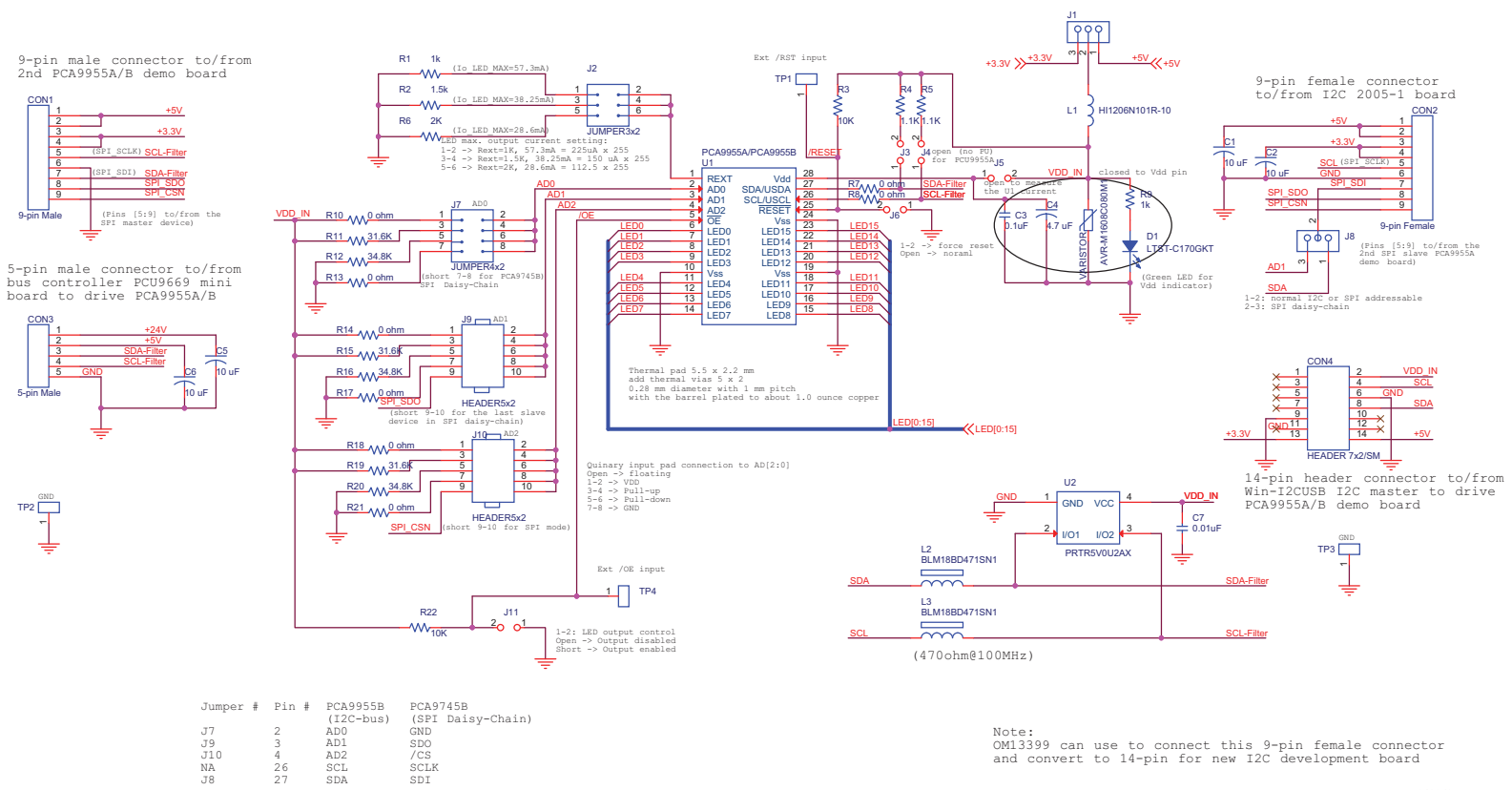
Table 1. Jumper settings for test and evaluation ...continued

Jumper	Default setting	Comment
J12, J16, J19, J22 (2-pin)	Short	These jumpers are used to open the WHT_LED1 or RGB_LED1 J12 to control White LED, J16 to control Red LED, J19 to control Green LED, J22 to control Blue LED. Open: connected the current meter to measure one of the LEDs output current or open one of the LEDs outputs for detecting an LED open condition in one of EFLAGn registers. Short: normal operation for WHT_LED1 and RGB_LED1.
J13 (3-pin)	1-2 (V _{LED} = +3.3 V)	This jumper is used to select LED supply voltage. 1-2: select +3.3 V for all LEDs supply voltage. 2-3: select +5 V for all LEDs supply voltage. Open (no jumper): select external voltage from J20 (≤ +20 V) and J24 (GND)
J14, J18 (2-pin)	Open	These jumpers are used to merge the LED[0:2] outputs together for driving higher LED current. Open: normal operation for the LED[0:2]. Short: When short J14/J18 and open J16/J19 to combine LED[0:2] outputs to drive LED0. When short J14 only and open J16 to combine LED[0:1] outputs to drive LED0.
J15, J17, J21, J23 (2-pin)	Open	These jumpers are used to short the WHT_LED1 or RGB_LED1 J15 to control White LED, J17 to control Red LED, J23 to control Green LED, J21 to control Blue LED. Open: normal operation for WHT_LED1 and RGB_LED1. Short: to short one of the LEDs output for detecting an LED short condition in one of EFLAGn registers.
J20 (2-pin)	+20 V input	External ≤ +20 V input for LEDs supply voltage. The J13 is open to supply this ≤ +20 V voltage to all LEDs.
J24 (2-pin)	GND	External GND input for LEDs supply voltage.
J25, J27, J29, J31 (2-pin)	Short	These jumpers are used to open the WHT_LED4 or RGB_LED4. J25 to control White LED, J27 to control Red LED, J29 to control Green LED, J31 to control Blue LED. Open: connect current meter to measure one of the LEDs output current or open one of the LEDs outputs for detecting an LED open condition in one of EFLAGn registers. Short: normal operation for WHT_LED4 and RGB_LED4.
J26, J28, J30, J32 (2-pin)	Open	These jumpers are used to short the WHT_LED4 or RGB_LED4. J26 to control White LED, J28 to control Red LED, J32 to control Green LED, J30 to control Blue LED. Open: normal operation for WHT_LED4 and RGB_LED4. Short: to one of the LEDs for detecting an LED short condition in one of EFLAGn registers.
CON1	9-pin male connector	This 9-pin connector is used to daisy-chain to next I ² C-bus slave device or demo board.
CON2	9-pin female connector	This 9-pin connector is used to connect to Fm+ I ² C development board or I2C 2005-1 evaluation board as master device to drive this demo board.
CON3	5-pin male connector	This 5-pin connector is used to connect to the PCU9669 or PCA9665 mini board as I ² C-bus master device to drive this demo board.
CON4	14-pin header	This 14-pin header is used to connect to Win-I2CUSB hardware board as I ² C-bus master device to drive this demo board.
TP1	Test Point 1	This TP1 is used to drive $\overline{\text{RESET}}$ input pin 25 from external when J6 is open .
TP2, TP3	Test Point 2/3	These two test points are GND for probe ground connection.
TP4	Test Point 4	This TP4 is used to drive $\overline{\text{OE}}$ input pin 5 from external when J11 is open .

[1] Default PCA9955A/B slave address is 0x02h (AD[2:0] = GND).

6. Schematic

PCA9955A/PCA9955B (OM13483)
16-ch 57mA/20V CC LED driver Test/Demo Board



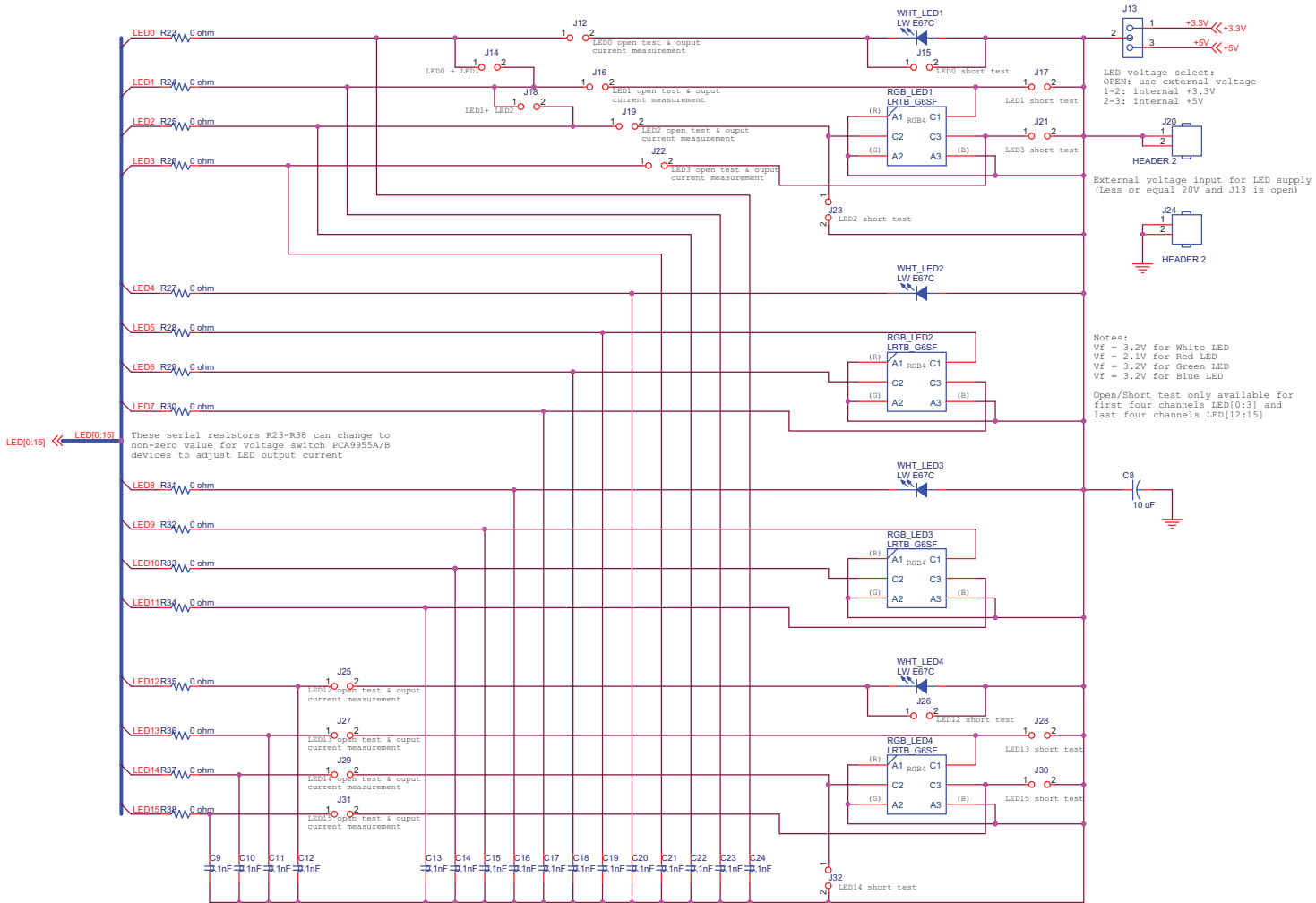
Jumper #	Pin #	PCA9955B (I2C-bus)	PCA9745B (SPI Daisy-Chain)
J7	2	AD0	GND
J9	3	AD1	SDO
J10	4	AD2	/CS
NA	2,6	SCL	SCLK
J8	2,7	SDA	SDI

Note:
OM13399 can use to connect this 9-pin female connector and convert to 14-pin for new I2C development board

aaa-013943

Fig 5. PCA9955A/B demo board schematic (part A)

4-white and 4-RGB LEDs connect to PCA9955A/B 16-channel outputs
(The LEDs supply voltage can be selected either internal +3.3V/+5V or external up to +20V)



aaa-013944

Fig 6. PCA9955A/B demo board schematic (part B)

7. OM13483 demonstration board main components

Table 2. OM13483 demo board main components

Device	Description	Address/LED	Location
PCA9955BTW	16-channel Fm+ I ² C-bus 57 mA / 20 V constant current LED driver	0x02h for I ² C demo board (default setting)	U1
PRTR5V0U2AX	ESD protection diode	-	U2
LW-E67C	White LED	4 white LEDs	WHT_LED[1:4]
LRTB_G6SG	RGB LED	4 RGB LEDs	RGB_LED[1:4]
LTST-C170GKT	Green LED for PCA9955A/B power supply either 3.3 V or 5 V indicator	1 green LED	D1

8. PCA9955A/B evaluation steps

The PCA9955A/B is controlled by Win-I2CUSB GUI in Expert mode, as shown in [Figure 7](#).

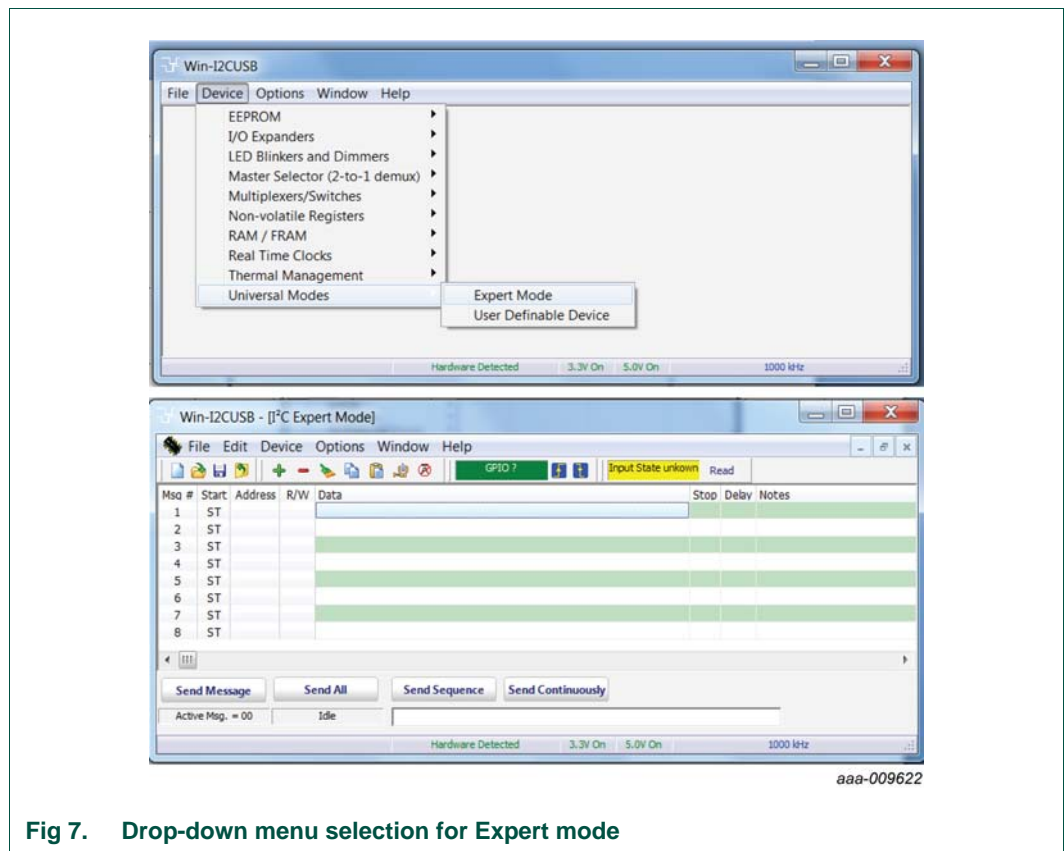


Fig 7. Drop-down menu selection for Expert mode

Connect the hardware as described in [Section 4](#). All jumpers are in default setting and device address is set to 0x02 on J7, J9 and J10 (set AD[0:2] = GND) for PCA9955A/B demo board. When you have correctly installed the software and the demonstration board hardware is connected and recognized by the computer, start the Win-I2CUSB Lite

software. As shown in [Figure 7](#), when the demonstration board hardware is correctly connected to the USB port and the computer recognizes it, the message 'Hardware Detected' is displayed on the bottom of the window.

Switched 3.3 V and 5.0 V power supplies are controlled through the 'Options' menu or by double-clicking the 3.3 V or 5.0 V symbols on the bottom of the window. Power supplies are disabled by default and must be enabled before using the I²C-bus devices on the board. I²C-bus frequency is controlled through the 'Options' menu or by double-clicking the frequency symbol on the bottom of the window.

8.1 PCA9955A/B blinking demo for all White and RGB LEDs

1. From the 'Device' drop-down menus select 'Universal Modes', and from the subsequent drop-down menu select 'Expert Mode' as shown in [Figure 7](#).
2. Copy the 'PCA9955A/B WHT_RGB LEDs blinking demo i2c address = 0x02h' text file as shown below. From the 'File' drop-down menus select 'Open', and from the 'open data file' window select the 'PCA9955A/B WHT_RGB LEDs blinking demo i2c address = 0x02h' text file.

```
Expert Mode Data File
00,Write,Yes,0,06,Comments: SW reset
02,Write,Yes,0,45,80,Comments: write IREFALL to 80h (225 uA x 128 = 28.8 mA per
channel)
02,Write,Yes,500,82,01,01,01,01,Comments: start write LEDOUTx register to turn on
white LEDs
02,Write,Yes,700,82,04,04,04,04,Comments: start write LEDOUTx register to turn on
red LEDs
02,Write,Yes,500,82,01,01,01,01,Comments: start write LEDOUTx register to turn on
white LEDs
02,Write,Yes,700,82,10,10,10,10,Comments: start write LEDOUTx register to turn on
green LEDs
02,Write,Yes,500,82,01,01,01,01,Comments: start write LEDOUTx register to turn on
white LEDs
02,Write,Yes,700,82,40,40,40,40,Comments: start write LEDOUTx register to turn on
blue LEDs
02,Write,Yes,300,82,01,00,00,00,Comments: start write LEDOUTx register to turn on
white LEDs
02,Write,Yes,300,82,00,05,00,00,Comments: start write LEDOUTx register to turn on
white, red LEDs
02,Write,Yes,300,82,00,00,51,00,Comments: start write LEDOUTx register to turn on
white, Blue_Green LEDs
02,Write,Yes,300,82,00,00,00,55,Comments: start write LEDOUTx register to turn on
white and RGB LEDs
02,Write,Yes,400,82,40,01,04,10,Comments: start write LEDOUTx register to turn on
white and RGB LEDs
02,Write,Yes,400,82,10,40,01,04,Comments: start write LEDOUTx register to turn on
white and RGB LEDs
02,Write,Yes,400,82,04,10,40,01,Comments: start write LEDOUTx register to turn on
white and RGB LEDs
02,Write,Yes,400,82,01,40,10,04,Comments: start write LEDOUTx register to turn on
white and RGB LEDs
```

```

02,Write,Yes,0,81,21,FF,FF,FF,FF,Comments: start write 01h register to program the
  DMBLNK=1 for blinking, LDRx=11 for group dimming/blinking controlled by
  GRPPWM, GRPFREQ
02,Write,Yes,0,44,C0,Comments: write PWMALL register to set the PWMx=C0h 75% duty
  cycles for individual LED
02,Write,Yes,2000,86,40,00,Comments: write GRPPWM=40h for duty cycle (ON/OFF ratio
  in 25%) and GRPFREQ= 00h (67 ms for blinking period)
02,Write,Yes,2000,86,80,01,Comments: write GRPPWM=80h for duty cycle (ON/OFF ratio
  in 50%) and GRPFREQ= 02h (131 ms for blinking period)
02,Write,Yes,2000,86,A0,02,Comments: write GRPPWM=C0h for duty cycle (ON/OFF ratio
  in 62.5%) and GRPFREQ= 04h (196 ms for blinking period)
02,Write,Yes,2000,86,C0,03,Comments: write GRPPWM=FFh for duty cycle (ON/OFF ratio
  in 75%) and GRPFREQ= 06h (262 ms for blinking period)
00,Write,Yes,0,06,Comments: SW reset
Sequence:01,02,03,04,05,06,07,08,09,10,11,12,13,14,15,16,17,18,19,20,21,22,23
  
```

3. After opening the 'PCA9955A/B WHT_RGB LEDs blinking demo i2c address = 0x02h.txt' text file, the Win-I2CUSB GUI in Expert mode screen will be displayed as shown in [Figure 8](#).
4. Click the 'Send All' button. All the valid messages on the screen is sent in order of the row number (Msg #). The action is performed one time.

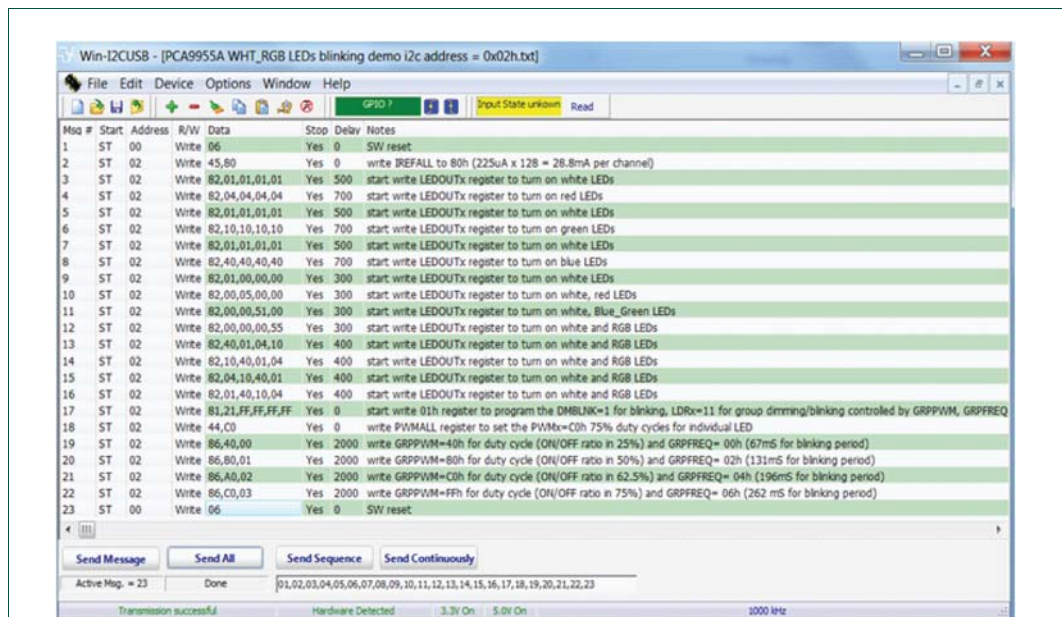


Fig 8. Message data in Expert mode to demonstrate all White and RGB LEDs for blinking

8.2 Test of LED open or short error detection

The PCA9955A/B can detect an LED open or short condition at its open-drain LED outputs. Users recognize these faults by reading the status of a pair of error bits (ERRx) in error flag registers (EFLAGn) for each channel.

The user can poll the ERROR status bit (bit 6 in MODE2 register) to check if there is a fault condition in any of the 16 channels. The EFLAGn registers can then be read to determine which channels are at fault and the type of fault in those channels.

1. Copy the 'PCA9955A/B Open or Short test' text file as shown below. From the 'File' drop-down menus select 'Open', and from the 'open data file' window select the 'PCA9955A/B Open or Short test' text file.

```
Expert Mode Data File
00,Write,Yes,5,06,Comments: software reset
02,Write,Yes,0,98,80,80,Comments: set current to 50% of max in IREF0/IREF1
02,Write,Yes,50,02,05,Comments: set LED0 and LED1 are fully ON
02,Write,Yes,1,01,11,Comments: Clear all error status bits in EFLAGn registers by
    writing bit4=1 in MODE2
02,Read,Yes,0,01,Comments: read ERROR status (bit6) in MODE2
02,Write,Yes,0,46,Comments: set EFLAG0 register address
02,Read,Yes,0,00,Comments: Read EFLAG0 status (bit1/0 for LED 0 and bit 3/2 for
    LED1 error status)
02,Write,Yes,1,01,11,Comments: Clear all error status bits in EFLAGn registers by
    writing bit4=1 in MODE2
02,Write,Yes,0,98,00,00,Comments: set output current to zero in IREF0/IREF1
Sequence:01,02,03,04,05,06,07,08,09
```

2. After opening the 'PCA9955A/B Open or Short test' text file, the Win-I2CUSB GUI in Expert mode screen will be displayed as shown in [Figure 9](#).
3. Click the 'Send All' button. All the valid messages on the screen is sent in order of the row number (Msg #). The action is performed one time.
4. To verify the read data on message line 5 for ERROR status and line 7 for EFLAG status.
5. To open the J12 and J16 for open-circuit test on LED0 and LED1, repeat steps [3](#) and [4](#) to find the error report in message line 5 and line 7.
6. To short the J15 and J17 for short-circuit test on LED0 and LED1, repeat steps [3](#) and [4](#) to find the error report in message line 5 and line 7.

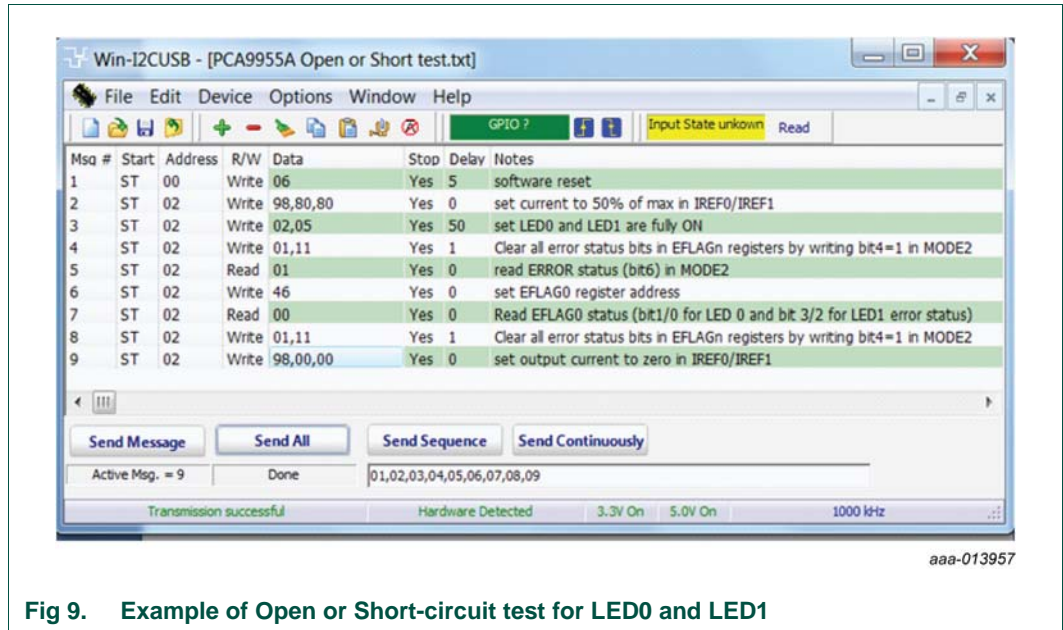


Fig 9. Example of Open or Short-circuit test for LED0 and LED1

9. PCA9955A/B evaluation steps with Fm+ development board

The PCA9955A/B is controlled by Fm+ development board GUI in Expert mode, as shown in [Figure 10](#).

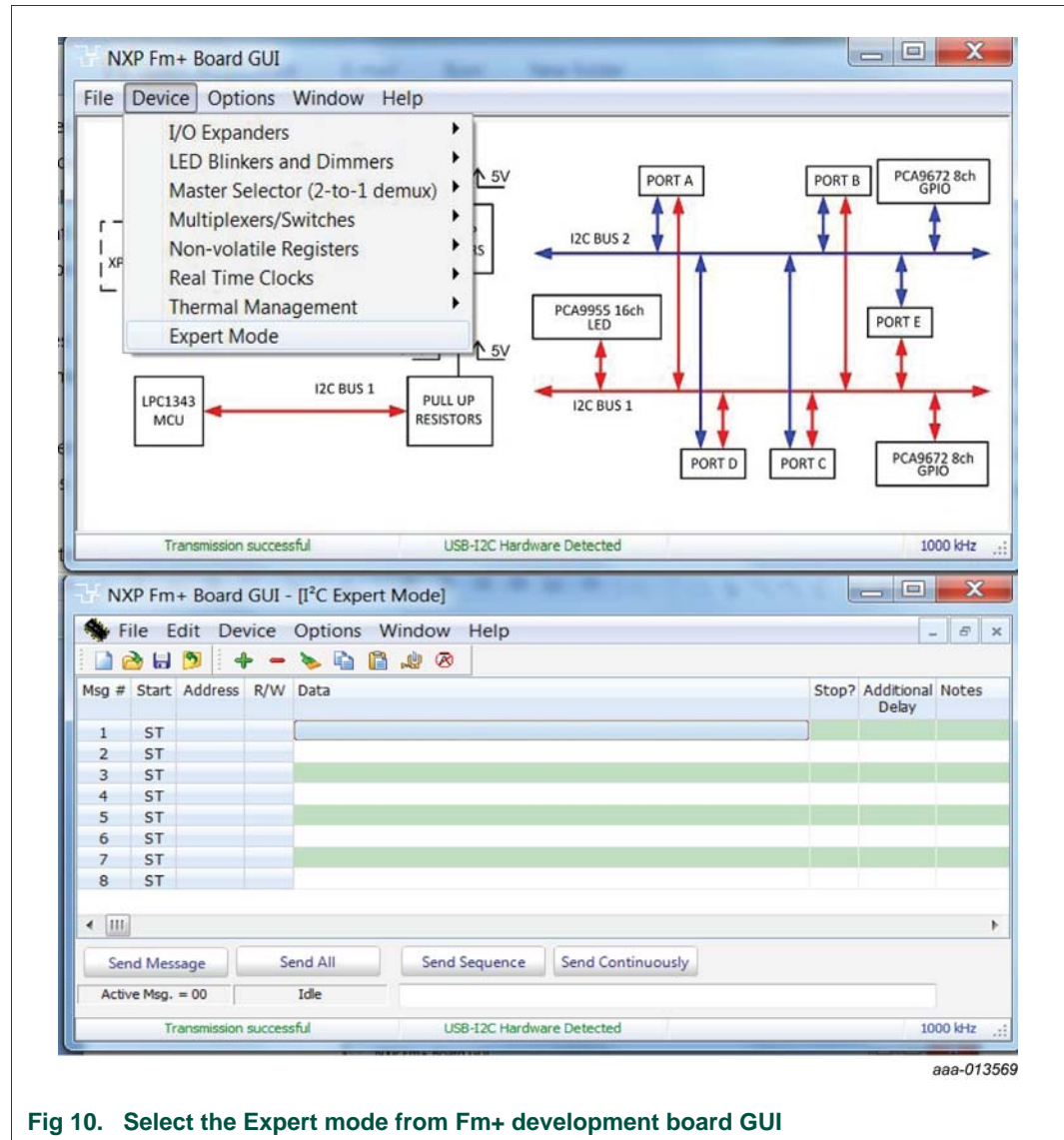


Fig 10. Select the Expert mode from Fm+ development board GUI

Connect the hardware as described in [Section 4.3](#). All jumpers are in default setting and device address is set to 0x02 on J7, J9 and J10 (set AD[0:2] = GND) for PCA9955A/B demo board. When you have correctly installed the software and the demonstration board hardware is connected and recognized by the computer, start the Fm+ development board software. As shown in [Figure 10](#), when the demonstration board hardware is correctly connected to the USB port and the computer recognizes it, the message 'USB-I2C Hardware Detected' is displayed on the bottom of the window.

9.1 PCA9955A/B blinking and gradation demo for all LEDs

1. From the 'Device' drop-down menus select 'Expert Modes' as shown in [Figure 10](#).
2. Copy the 'PCA9955A/B WHT_RGB LEDs blinking & gradation demo i2c address = 0x02h' text file as shown below. From the 'File' drop-down menus select 'Open', and from the 'open data file' window to select the 'PCA9955A/B WHT_RGB LEDs blinking & gradation demo i2c address = 0x02h' text file.

Expert Mode Data File

```

00,Write,Yes,0,06,Comments: SW reset
02,Write,Yes,0,45,80,Comments: write IREFALL to 80h (225uA x 128 = 28.8mA per
channel)
02,Write,Yes,500,82,01,01,01,01,Comments: start write LEDOUTx register to turn on
white LEDs
02,Write,Yes,700,82,04,04,04,04,Comments: start write LEDOUTx register to turn on
red LEDs
02,Write,Yes,500,82,01,01,01,01,Comments: start write LEDOUTx register to turn on
white LEDs
02,Write,Yes,700,82,10,10,10,10,Comments: start write LEDOUTx register to turn on
green LEDs
02,Write,Yes,500,82,01,01,01,01,Comments: start write LEDOUTx register to turn on
white LEDs
02,Write,Yes,700,82,40,40,40,40,Comments: start write LEDOUTx register to turn on
blue LEDs
02,Write,Yes,300,82,01,00,00,00,Comments: start write LEDOUTx register to turn on
white LEDs
02,Write,Yes,300,82,00,05,00,00,Comments: start write LEDOUTx register to turn on
white, red LEDs
02,Write,Yes,300,82,00,00,51,00,Comments: start write LEDOUTx register to turn on
white, Blue_Green LEDs
02,Write,Yes,300,82,00,00,00,55,Comments: start write LEDOUTx register to turn on
white and RGB LEDs
02,Write,Yes,400,82,40,01,04,10,Comments: start write LEDOUTx register to turn on
white and RGB LEDs
02,Write,Yes,400,82,10,40,01,04,Comments: start write LEDOUTx register to turn on
white and RGB LEDs
02,Write,Yes,400,82,04,10,40,01,Comments: start write LEDOUTx register to turn on
white and RGB LEDs
02,Write,Yes,400,82,01,40,10,04,Comments: start write LEDOUTx register to turn on
white and RGB LEDs
02,Write,Yes,0,81,21,FF,FF,FF,FF,Comments: start write 01h register to program the
DMBLNK=1 for blinking, LDRx=11 for group dimming/blinking controlled by
GRPPWM, GRPFREQ
02,Write,Yes,0,44,C0,Comments: write PWMALL register to set the PWMx=C0h 75% duty
cycles for individual LED
02,Write,Yes,2000,86,40,00,Comments: write GRPPWM=40h for duty cycle (ON/OFF ratio
in 25%) and GRPFREQ= 00h (67mS for blinking period)
02,Write,Yes,2000,86,80,01,Comments: write GRPPWM=80h for duty cycle (ON/OFF ratio
in 50%) and GRPFREQ= 02h (131mS for blinking period)
02,Write,Yes,2000,86,A0,02,Comments: write GRPPWM=C0h for duty cycle (ON/OFF ratio
in 62.5%) and GRPFREQ= 04h (196mS for blinking period)

```


10. Support

For support, send an e-mail to: i2c.support@nxp.com

11. Abbreviations

Table 3. Abbreviations

Acronym	Description
ESD	ElectroStatic Discharge
Fm+	Fast-mode Plus
GUI	Graphical User Interface
I ² C-bus	Inter-Integrated Circuit bus
IC	Integrated Circuit
LED	Light Emitting Diode
PC	Personal Computer
PWM	Pulse Width Modulator
RAM	Random Access Memory
RGB	Red/Green/Blue
RGBA	Red/Green/Blue/Amber
SMBus	System Management Bus
USB	Universal Serial Bus

12. References

- [1] **PCA9955A, 16-channel Fm+ I²C-bus 57 mA / 20 V constant current LED driver** — Product data sheet; NXP Semiconductors; www.nxp.com/documents/data_sheet/PCA9955A.pdf
- [2] **UM10206, I2C Demonstration Board 2005-1 Quick Start Guide** — NXP Semiconductors; www.nxp.com/documents/user_manual/UM10206.pdf

13. Legal information

13.1 Definitions

Draft — The document is a draft version only. The content is still under internal review and subject to formal approval, which may result in modifications or additions. NXP Semiconductors does not give any representations or warranties as to the accuracy or completeness of information included herein and shall have no liability for the consequences of use of such information.

13.2 Disclaimers

Limited warranty and liability — Information in this document is believed to be accurate and reliable. However, NXP Semiconductors does not give any representations or warranties, expressed or implied, as to the accuracy or completeness of such information and shall have no liability for the consequences of use of such information. NXP Semiconductors takes no responsibility for the content in this document if provided by an information source outside of NXP Semiconductors.

In no event shall NXP Semiconductors be liable for any indirect, incidental, punitive, special or consequential damages (including - without limitation - lost profits, lost savings, business interruption, costs related to the removal or replacement of any products or rework charges) whether or not such damages are based on tort (including negligence), warranty, breach of contract or any other legal theory.

Notwithstanding any damages that customer might incur for any reason whatsoever, NXP Semiconductors' aggregate and cumulative liability towards customer for the products described herein shall be limited in accordance with the *Terms and conditions of commercial sale* of NXP Semiconductors.

Right to make changes — NXP Semiconductors reserves the right to make changes to information published in this document, including without limitation specifications and product descriptions, at any time and without notice. This document supersedes and replaces all information supplied prior to the publication hereof.

Suitability for use — NXP Semiconductors products are not designed, authorized or warranted to be suitable for use in life support, life-critical or safety-critical systems or equipment, nor in applications where failure or malfunction of an NXP Semiconductors product can reasonably be expected to result in personal injury, death or severe property or environmental damage. NXP Semiconductors and its suppliers accept no liability for inclusion and/or use of NXP Semiconductors products in such equipment or applications and therefore such inclusion and/or use is at the customer's own risk.

Applications — Applications that are described herein for any of these products are for illustrative purposes only. NXP Semiconductors makes no representation or warranty that such applications will be suitable for the specified use without further testing or modification.

Customers are responsible for the design and operation of their applications and products using NXP Semiconductors products, and NXP Semiconductors accepts no liability for any assistance with applications or customer product

design. It is customer's sole responsibility to determine whether the NXP Semiconductors product is suitable and fit for the customer's applications and products planned, as well as for the planned application and use of customer's third party customer(s). Customers should provide appropriate design and operating safeguards to minimize the risks associated with their applications and products.

NXP Semiconductors does not accept any liability related to any default, damage, costs or problem which is based on any weakness or default in the customer's applications or products, or the application or use by customer's third party customer(s). Customer is responsible for doing all necessary testing for the customer's applications and products using NXP Semiconductors products in order to avoid a default of the applications and the products or of the application or use by customer's third party customer(s). NXP does not accept any liability in this respect.

Export control — This document as well as the item(s) described herein may be subject to export control regulations. Export might require a prior authorization from competent authorities.

Evaluation products — This product is provided on an "as is" and "with all faults" basis for evaluation purposes only. NXP Semiconductors, its affiliates and their suppliers expressly disclaim all warranties, whether express, implied or statutory, including but not limited to the implied warranties of non-infringement, merchantability and fitness for a particular purpose. The entire risk as to the quality, or arising out of the use or performance, of this product remains with customer.

In no event shall NXP Semiconductors, its affiliates or their suppliers be liable to customer for any special, indirect, consequential, punitive or incidental damages (including without limitation damages for loss of business, business interruption, loss of use, loss of data or information, and the like) arising out of the use of or inability to use the product, whether or not based on tort (including negligence), strict liability, breach of contract, breach of warranty or any other theory, even if advised of the possibility of such damages.

Notwithstanding any damages that customer might incur for any reason whatsoever (including without limitation, all damages referenced above and all direct or general damages), the entire liability of NXP Semiconductors, its affiliates and their suppliers and customer's exclusive remedy for all of the foregoing shall be limited to actual damages incurred by customer based on reasonable reliance up to the greater of the amount actually paid by customer for the product or five dollars (US\$5.00). The foregoing limitations, exclusions and disclaimers shall apply to the maximum extent permitted by applicable law, even if any remedy fails of its essential purpose.

Translations — A non-English (translated) version of a document is for reference only. The English version shall prevail in case of any discrepancy between the translated and English versions.

13.3 Trademarks

Notice: All referenced brands, product names, service names and trademarks are the property of their respective owners.

I²C-bus — logo is a trademark of NXP Semiconductors N.V.

14. Contents

1	Introduction	3
2	Features	3
3	Getting started	3
3.1	Assumptions	3
3.2	Static handling requirements	3
3.3	Minimum system requirements	3
3.4	Power requirements	3
4	Installation	4
4.1	I2C demo board 2005-1 and Win-I2CUSB Lite software	4
4.2	OM13483 connection to I2C demo board 2005-1 4	
4.3	OM13483 connection to Fm+ I2C bus development board	6
4.4	OM13483 connection to Win-I2CUSB hardware adapter board	7
5	Hardware description	8
6	Schematic	11
7	OM13483 demonstration board main components	13
8	PCA9955A/B evaluation steps	13
8.1	PCA9955A/B blinking demo for all White and RGB LEDs	14
8.2	Test of LED open or short error detection	16
9	PCA9955A/B evaluation steps with Fm+ development board	18
9.1	PCA9955A/B blinking and gradation demo for all LEDs	19
10	Support	22
11	Abbreviations	22
12	References	22
13	Legal information	23
13.1	Definitions	23
13.2	Disclaimers	23
13.3	Trademarks	23
14	Contents	24

Please be aware that important notices concerning this document and the product(s) described herein, have been included in section 'Legal information'.

© NXP Semiconductors B.V. 2017.

All rights reserved.

For more information, please visit: <http://www.nxp.com>

For sales office addresses, please send an email to: salesaddresses@nxp.com

Date of release: 1 August 2017

Document identifier: UM10729