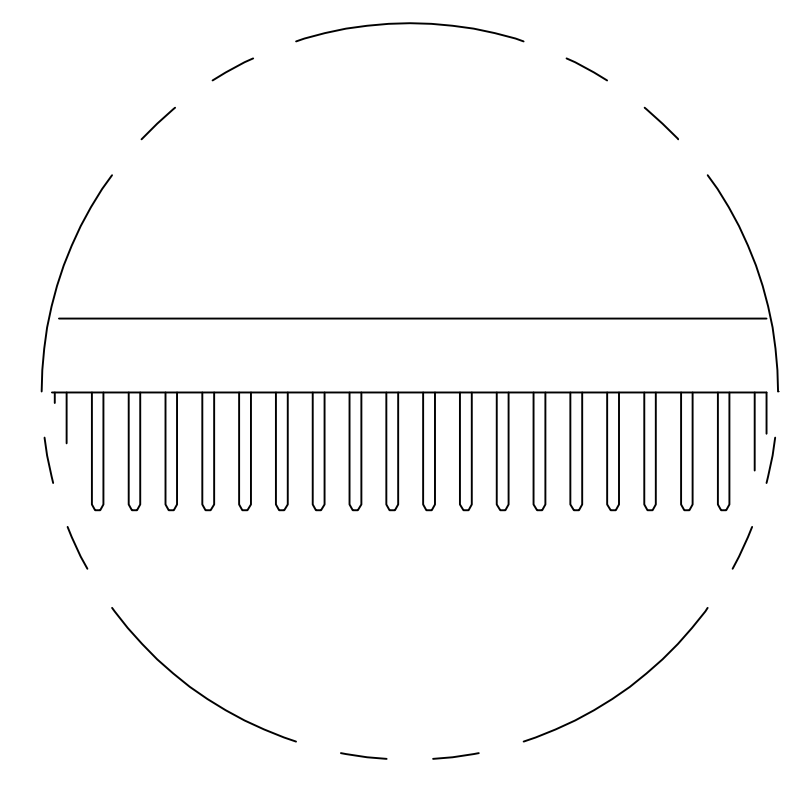


SEE SHEET 2 FOR HOLE PATTERN



- ① HOUSING: HIGH TEMPERATURE THERMOPLASTIC. COLOR - NATURAL
- ② CONTACT: PHOSPHOR BRONZE.
- ③ CONTACT FINISH: .001269 [.000050] MIN NICKEL ALL OVER. GOLD FLASH OVER NICKEL IN CONTACT AREA. .002537 [.000100] MIN TIN-LEAD OVER NICKEL ON SOLDER TAILS.
- ④ CONTACT FINISH: .001269 [.000050] MIN NICKEL ALL OVER. .000375 [.000015] MIN GOLD OVER NICKEL IN CONTACT AREA. .002537 [.000100] MIN TIN-LEAD OVER NICKEL ON SOLDER TAILS.
- ⑤ CONTACT FINISH: .001269 [.000050] MIN NICKEL ALL OVER. .000757 [.000030] MIN GOLD OVER NICKEL IN CONTACT AREA. .002537 [.000100] MIN TIN-LEAD OVER NICKEL ON SOLDER TAILS.
- ⑥ DISTANCE FROM CONTACT POINT TO BOTTOM OF CARD SLOT.
- ⑦ AMP PART NUMBER, DATE CODE AND CSA LOGO MARKED IN APPROXIMATE LOCATION SHOWN.
- ⑧ CORED OR SOLID SIDE WALLS ARE AT DISCRETION OF AMP INCORPORATED.
- ⑨ OBSOLETE PARTS: OBSOLETE CIS STREAMLINING PER D.RENAUD/D.SINISI

	3.56 [.140]	①	1-145166-2
	3.18 [.125]	②	145166-8
	2.54 [.100]	③	145166-4
OBSOLETE	2.54 [.100]	④	145166-3
⑨	2.54 [.100]	⑤	145166-2
OBSOLETE	2.54 [.100]	⑥	145166-1

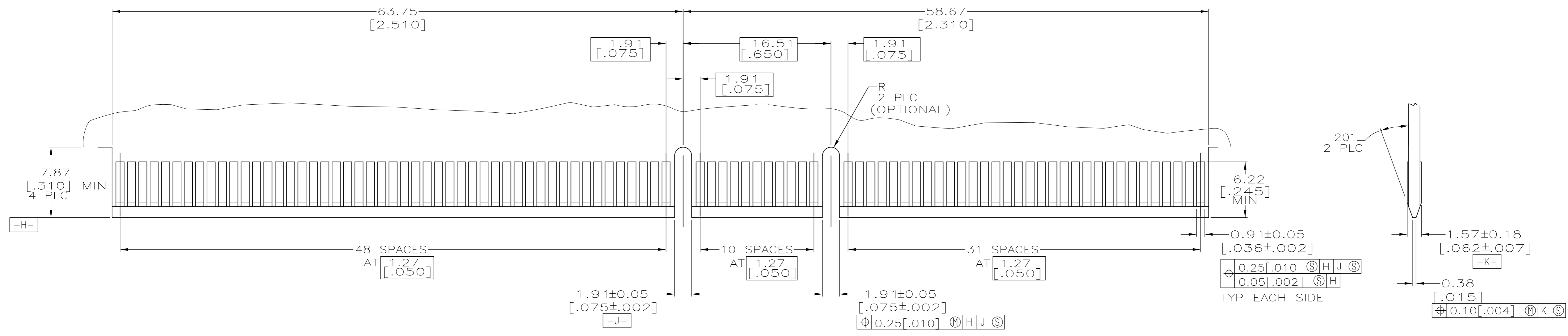
THIS DRAWING IS A CONTROLLED DOCUMENT.

DIMENSIONS:	TOLERANCES UNLESS OTHERWISE SPECIFIED:	DWN	R BROWN	6/12/95
mm(INCHES)		CHK	M BOWERS	6/12/95
0 PLC ± -		APVD	M BOWERS	6/12/95
1 PLC ± -		NAME		
2 PLC ± 0.25 [01]		PRODUCT SPEC	108-14034	
3 PLC ± 0.127 [005]		APPLICATION SPEC		
4 PLC ± -		SIZE	CAGE CODE	DRAWING NO
ANGLES ± 2°		114-26012		
MATERIAL	FINISH	WEIGHT		
① ②	③ ④ ⑤	-	A1	00779
CUSTOMER DRAWING		SCALE	4:1	SHEET 1 OF 2

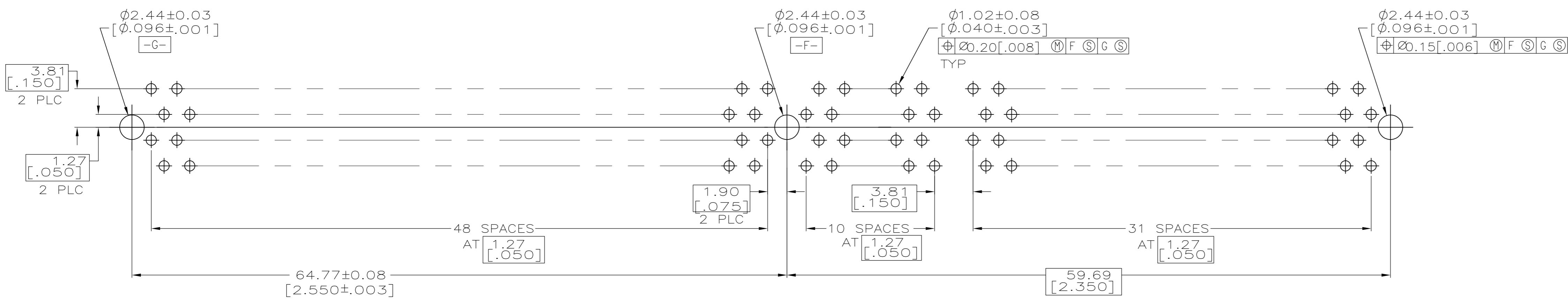
STE TE Connectivity

CONNECTOR ASSEMBLY, 92 DUAL POSITION, 1.27 [.050] SERIES, STANDARD EDGE

RESTRICTED TO



RECOMMENDED MATING BOARD EDGE CONFIGURATION



RECOMMENDED CONNECTOR MOUNTING HOLE PATTERN (CONNECTOR SIDE SHOWN)

THIS DRAWING IS A CONTROLLED DOCUMENT.		OWN R BROWN 6/12/95	TE Connectivity	
DIMENSIONS: mm(INCHES)		CHK M BOWERS 6/12/95		
TOLERANCES UNLESS OTHERWISE SPECIFIED:		APVD M BOWERS 6/12/95	NAME	
0 PLC ± -	1 PLC ± -	PRODUCT SPEC		
2 PLC ± 0.25 [01]	3 PLC ± 0.127 [005]	108-14034		
4 PLC ± -	ANGLES ± °	APPLICATION SPEC		
MATERIAL SEE SHEET 1	FINISH SEE SHEET 1	114-26012	SIZE A1	CAGE CODE 00779
CUSTOMER DRAWING		DRAWING NO. 145166	RESTRICTED TO	
SCALE 4:1		SHEET 2	OF 2	REV F2