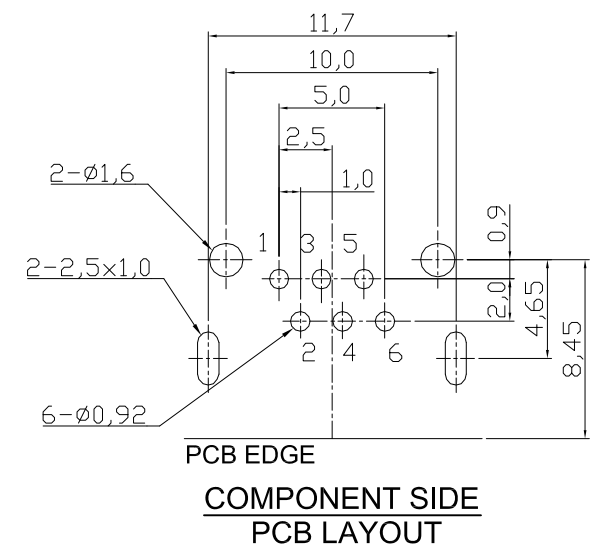
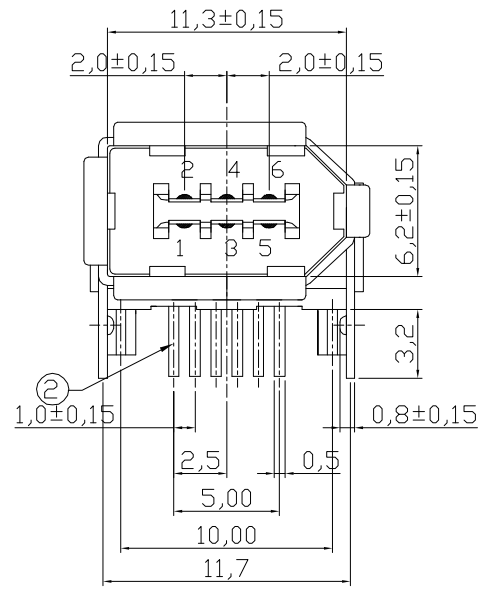
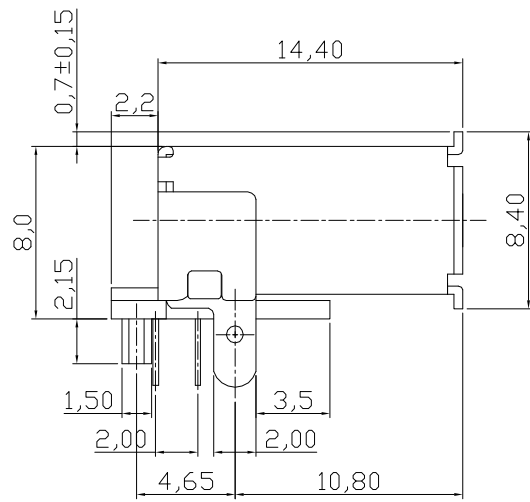


NO.	Name	Material	Finish	Q'TY
1	Housing	PBT	Black	1
2	Pin Terminal	Brass t=0.25	Gold:30u" Ni:80~120u" Sn:120~200u"	6
3	Shell	Brass t=0.4	Ni 80~120u"	1



RoHS compliant
Unit: mm

Scale	Free
TOLERANCE	
.X	±0.38
.X	±0.25
.XX	±0.13
DIM	TOL
.X.°	±3°
.X.°	±1°
Angle	TOL

Id.	Modification	Date	Name
②	Update the new drawing	29.07.2013	Amy
①	Drawn	07.07.2009	Dean

Drawn	Date	Name
Drawn	07.07.2009	Dean
Approved	29.07.2013	Amy

Customer-No.	
ASSMANN WSW-No.	A-IES-DIP-C
Drawing-No.	ASS 3560 CO
Replace	rev02
	SHEET

