

4

3

2

1

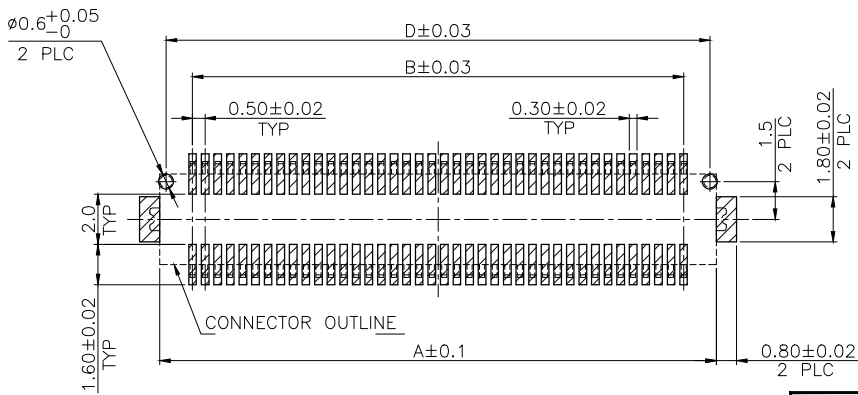
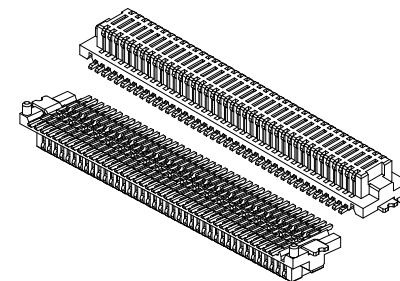
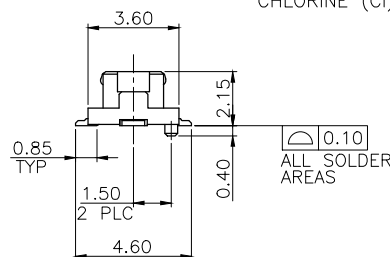
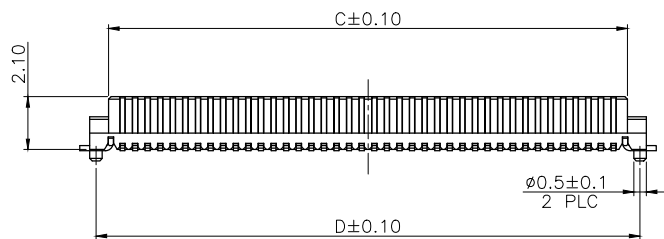
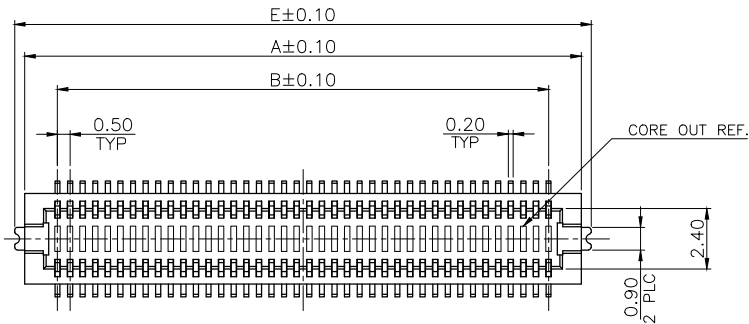
THIS DRAWING IS UNPUBLISHED. RELEASED FOR PUBLICATION AUG. 2006.

COPYRIGHT BY TYCO ELECTRONICS CORPORATION. ALL RIGHTS RESERVED.

LOC		DIST		REVISIONS			
P	LTR	DESCRIPTION		DATE	DWN	APVD	
	A5	REVISED (ECR-14-009374)		02OCT14	SW	SC	

NOTE:

- MATERIAL:  
HOUSING: THERMOPLASTIC (LCP) WITH 30% GF, UL 94V-0, BLACK COLOR.  
CONTACTS: PHOSPHOR BRONZE.  
PEGS: BRASS.
- FINISH:  
CONTACTS: 0.127mm[5m"] MIN. GOLD PLATING ON CONTACT AREA,  
GOLD FLASH ON SOLDER TAIL,  
1.27mm[50m"] MIN. NICKEL UNDERPLATING OVERALL.  
PEGS: 2.54mm[100m"] MIN. MATTE-TIN OVER 1.27mm[50m"] MIN. NICKEL.
- REFLOW SOLDER CAPABLE TO 260°C AS PER TE SPEC. 109-201, CONDITION B.
- NO TE LOGO AND DATE CODE ON THE PRODUCT.
- PLUG PART NUMBERS (BASE NO.#): 1775167 THRU 1775186.
- LOW HALOGEN SPEC:  
CHLORINE (Cl): 900 ppm MAX.  
BROMINE (Br): 900 ppm MAX.  
CHLORINE (Cl) + BROMINE (Br): 1500 ppm MAX.



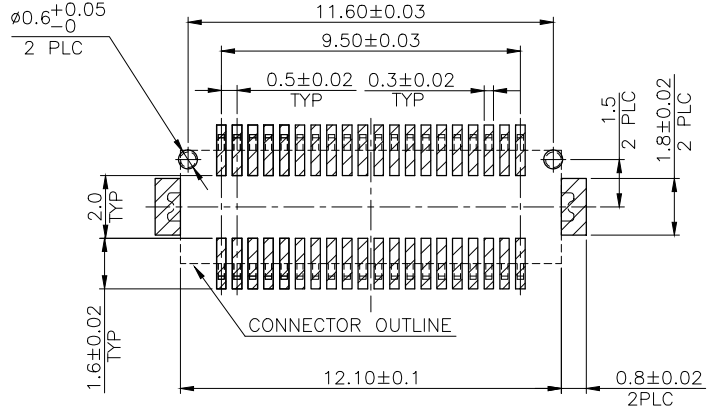
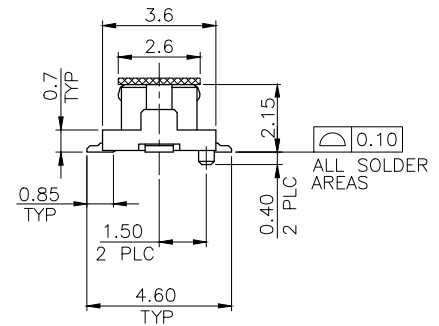
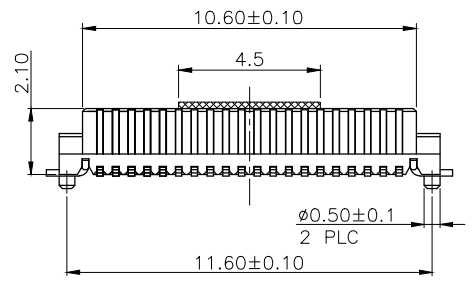
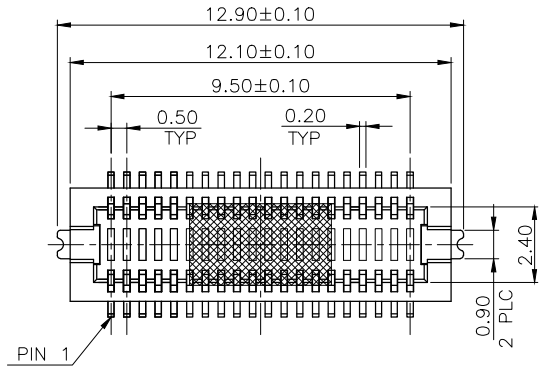
RECOMMENDED P.C.B. LAYOUT (THICKNESS=1.2mm~1.8mm)  
(COMPONENT SIDE) TOLERANCE: ±0.05

EOL	WEIGHT	DIMENSIONS					NO. OF CONTACTS	PART NUMBER
		E	D	C	B	A		
0.099g	7.90	6.60	5.60	4.50	7.10	20	2-1775188-3	
0.255g	17.90	16.60	15.60	14.50	17.10	60	6-1775188-0	
0.222g	15.40	14.10	13.10	12.00	14.60	50	5-1775188-0	
0.178g	12.90	11.60	10.60	9.50	12.10	40	4-1775188-0	
0.139g	10.40	9.10	8.10	7.00	9.60	30	3-1775188-0	
0.099g	7.90	6.60	5.60	4.50	7.10	20	2-1775188-0	

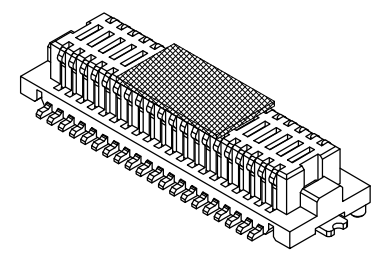
THIS DRAWING IS A CONTROLLED DOCUMENT.		DWN A. WU 17APR2006	TE Connectivity BOARD TO BOARD CONNECTOR 0.5mm PITCH, FINE-MATE RECEPTACLE, WITH BOSSES & PEG	
DIMENSIONS: MM		CHK S. HOU 17APR2006		
TOLERANCES UNLESS OTHERWISE SPECIFIED:		APVD W. KODAMA 17APR2006	NAME	
0 PLC ± - 1 PLC ± 0.3 2 PLC ± 0.2 3 PLC ± 0.15 4 PLC ± - ANGLES ± 3°		PRODUCT SPEC 108-57578	SIZE A3	
MATERIAL SEE NOTE		APPLICATION SPEC	CAGE CODE 00779	DRAWING NO. C-1775188
FINISH SEE NOTE		WEIGHT SEE TABLE	RESTRICTED TO	SCALE
CUSTOMER DRAWING		SHEET 1 of 4		REV A5

THIS DRAWING IS UNPUBLISHED. RELEASED FOR PUBLICATION AUG ,2006.  
 © COPYRIGHT BY TYCO ELECTRONICS CORPORATION. ALL RIGHTS RESERVED.

LOC	DIST	REVISIONS					
DW		P	LTR	DESCRIPTION	DATE	DWN	APVD
				SEE SHEET 1.			



RECOMMENDED P.C.B. LAYOUT (THICKNESS=1.2mm~1.8mm)  
 (COMPONENT SIDE) TOLERANCE: ±0.05



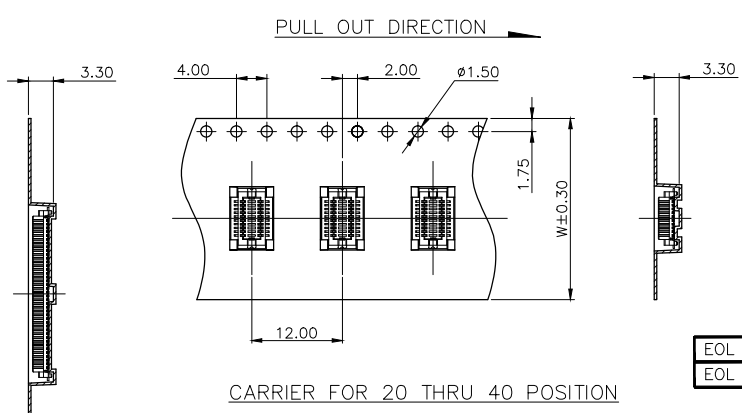
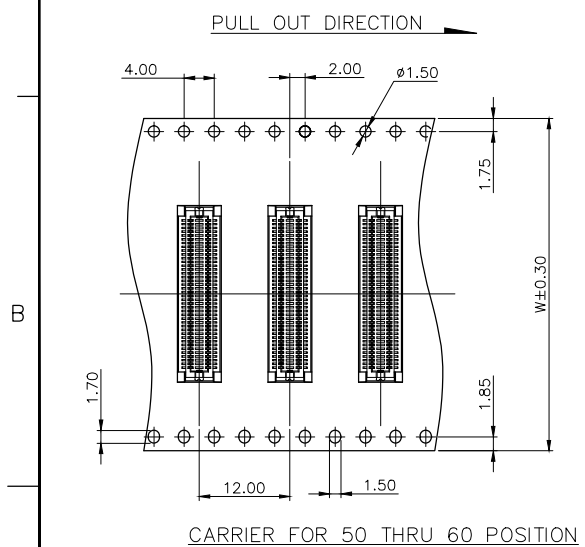
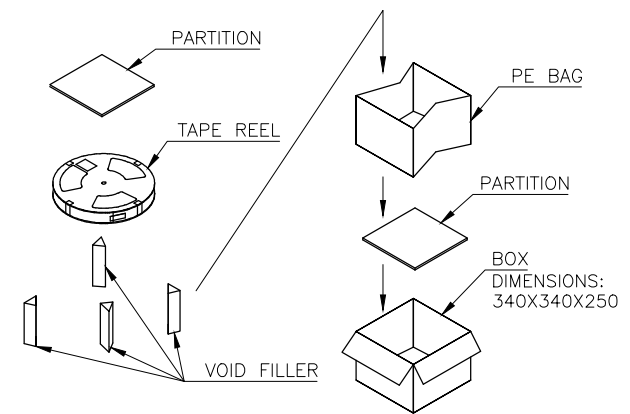
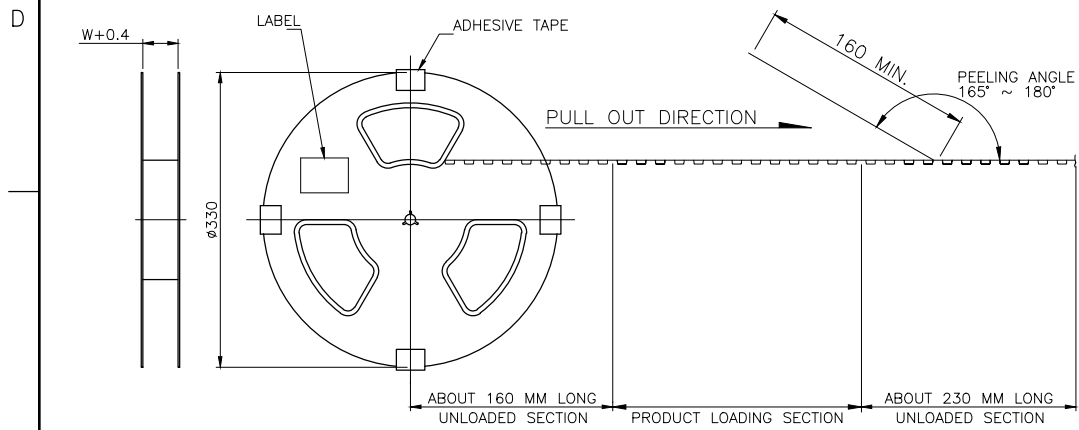
- NOTE:
- MATERIAL:  
 HOUSING: THERMOPLASTIC (LCP) WITH 30% GF, UL 94V-0, BLACK COLOR.  
 CONTACTS: PHOSPHOR BRONZE.  
 PEGS: BRASS.
  - FINISH:  
 CONTACTS: 0.127µm[5µ"] MIN. GOLD PLATING ON CONTACT AREA,  
 GOLD FLASH ON SOLDER TAIL,  
 1.27µm[50µ"] MIN. NICKEL UNDERPLATING OVERALL.  
 PEGS: 2.54µm[100µ"] MIN. MATTE-TIN OVER 1.27µm[50µ"] MIN. NICKEL.
  - REFLOW SOLDER CAPABLE TO 260°C AS PER TE SPEC. 109-201, CONDITION B.
  - NO TE LOGO AND DATE CODE ON THE PRODUCT.
  - LOW HALOGEN SPECIFICATION:  
 CHLORINE(Cl): 900ppm MAX.  
 BROMINE(Br): 900ppm MAX.

0.179g	40	4-1775188-1
WEIGHT	NO. OF CONTACTS	PART NUMBER

THIS DRAWING IS A CONTROLLED DOCUMENT.		DWN	TE Connectivity	
DIMENSIONS: MM		CHK	NAME	
TOLERANCES UNLESS OTHERWISE SPECIFIED:		APVD	BOARD TO BOARD CONNECTOR 0.5mm PITCH, FINE-MATE RECEPTACLE, WITH BOSSES & PEG	
0 PLC ± -		PRODUCT SPEC	SIZE	CAGE CODE
1 PLC ± 0.3		APPLICATION SPEC	A3	00779
2 PLC ± 0.2		WEIGHT	DRAWING NO	
3 PLC ± 0.15		SEE TABLE	C=1775188	
4 PLC ± -		CUSTOMER DRAWING	SCALE	SHEET
ANGLES ± 3'				2 OF 4
MATERIAL		FINISH	REV A5	

THIS DRAWING IS UNPUBLISHED. RELEASED FOR PUBLICATION AUG. 2006.  
 COPYRIGHT BY TYCO ELECTRONICS CORPORATION. ALL RIGHTS RESERVED.

LOC		DIST		REVISIONS			
P	LTR	DESCRIPTION	DATE	DWN	APVD		
		SEE SHEET 1.					



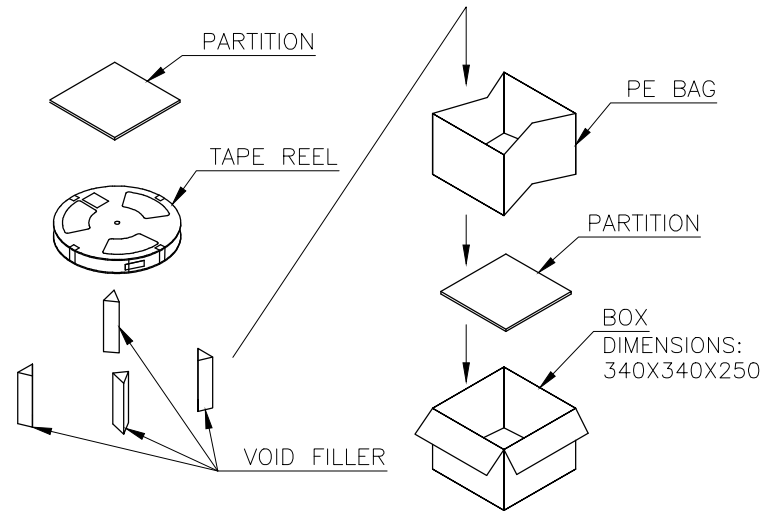
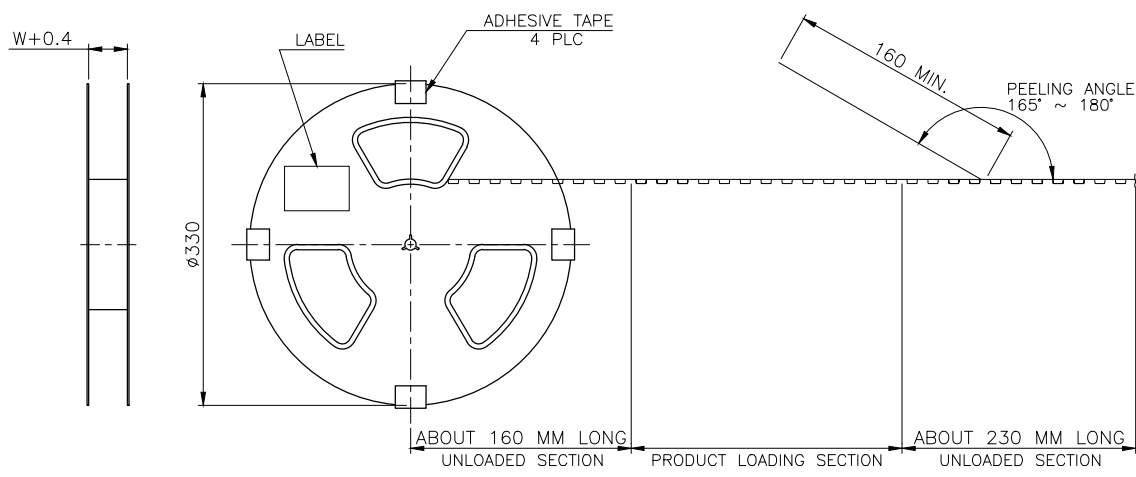
NOTE:  
 1. PEELING RESISTANCE: 10gf ~ 130gf.  
 2. PEELING SPEED: 300mm/MINUTES.

EOL	1000	10	10000	16	6.25	0.89	20	2-1775188-3
EOL	1000	6	6000	32	5.53	1.53	60	6-1775188-0
	1000	6	6000	32	5.32	1.32	50	5-1775188-0
	1000	7	7000	24	5.62	1.24	40	4-1775188-0
EOL	1000	7	7000	24	5.34	0.97	30	3-1775188-0
	1000	7	7000	24	5.07	0.69	20	2-1775188-0
PCS/REEL	REELS/BOX	QUANTITY	DIM W	G/W (KG)	N/W (KG)	NO. OF POS.	PART NUMBER	

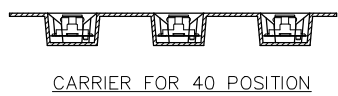
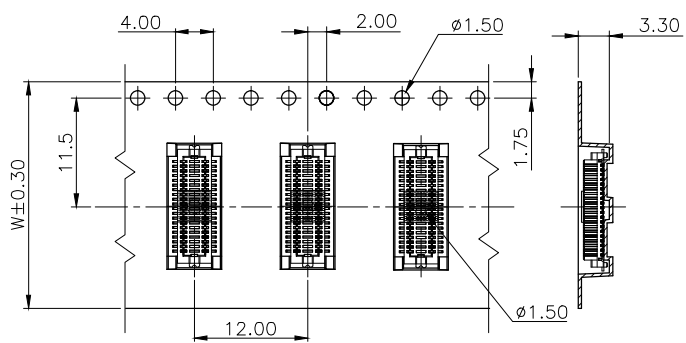
THIS DRAWING IS A CONTROLLED DOCUMENT.		DWN	TE Connectivity		
DIMENSIONS: MM		CHK	NAME		
TOLERANCES UNLESS OTHERWISE SPECIFIED:		APVD	BOARD TO BOARD CONNECTOR 0.5mm PITCH, FINE-MATE RECEPTACLE, WITH BOSSES & PEG		
0 PLC ±		PRODUCT SPEC	SIZE	CAGE CODE	DRAWING NO
1 PLC ±0.3		APPLICATION SPEC	A3	00779	C=1775188
2 PLC ±0.2		WEIGHT	RESTRICTED TO		
3 PLC ±0.15		CUSTOMER DRAWING	SCALE	SHEET	REV
4 PLC ±				3 of 4	A5
ANGLES ± 3'					

THIS DRAWING IS UNPUBLISHED. RELEASED FOR PUBLICATION AUG , 2006.  
 © COPYRIGHT BY TYCO ELECTRONICS CORPORATION. ALL RIGHTS RESERVED.

LOC	DIST	REVISIONS			
P	LTR	DESCRIPTION	DATE	DWN	APVD
		SEE SHEET 1.			



PULL OUT DIRECTION →



NOTE:  
 1. PEELING RESISTANCE: 10gf ~ 130gf.  
 2. PEELING SPEED: 300mm/MINUTES.

1000	7	7000	24	5.62	1.24	40	4-1775188-1
PCS/ REEL	REELS/ BOX	QUANTITY	DIM W	G/W (KG)	N/W (KG)	NO. OF	PART NUMBER

THIS DRAWING IS A CONTROLLED DOCUMENT.		DWN	TE Connectivity		
DIMENSIONS: MM		CHK	NAME		
TOLERANCES UNLESS OTHERWISE SPECIFIED:		APVD	BOARD TO BOARD CONNECTOR 0.5mm PITCH, FINE-MATE RECEPTACLE, WITH BOSSES & PEG		
0 PLC ± -		PRODUCT SPEC	SIZE	CAGE CODE	DRAWING NO
1 PLC ± 0.3		APPLICATION SPEC	A3	00779	C=1775188
2 PLC ± 0.2		WEIGHT	RESTRICTED TO		
3 PLC ± 0.15		CUSTOMER DRAWING	SCALE		
4 PLC ± -			SHEET 4 of 4		
ANGLES ± 3'			REV A5		