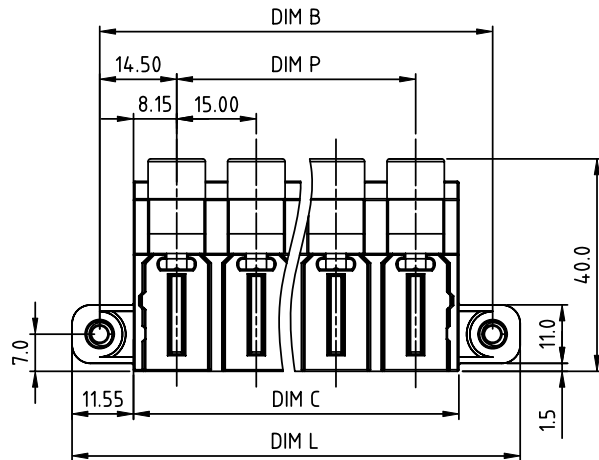
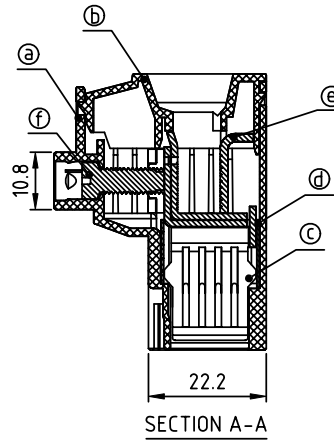
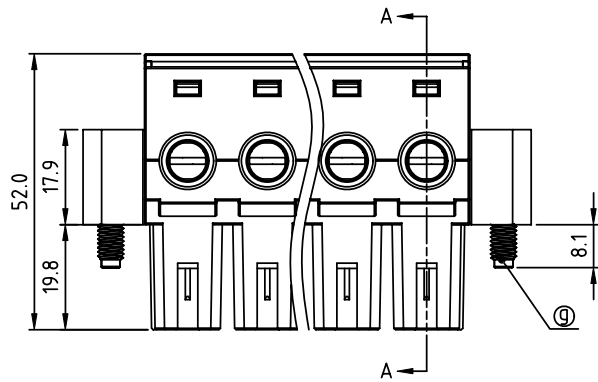


PRODUCT NUMBER	PITCH
KXxxC1x100J0G	15.00 mm



Material:

- Item① Terminal housing: Thermoplastic (UL94V-0)
- Item② Terminal cover: Thermoplastic (UL94V-0)
- Item③ Female contact : Copper. Tin plated
- Item④ Wire guard : Stainless Steel
- Item⑤ Clamp: Steel Stamping , Zinc plated
- Item⑥ Terminal screw: Steel, Zinc plating"-slot type,M5
- Item⑦ With flange screw: Steel, Zinc plating"\*pozi type,M5

Electrical:

- |  |
|--|
| cULus                                    |
| ● Voltage rating: 600 V                  |
| ● Current rating: 115 A                  |
| ● Wire range:                            |
| ● Solid wire(AWG): 2-20                  |
| ● Stranded wire(AWG): 2-20               |
| ● Torque(Lb-In): 36.5                    |
| ● Screw: M5                              |
| ● Wire strip length: 19-20mm             |
| ● Withstanding Voltage: 2.2 KV           |
| ● Operating temperature: -40°C to +115°C |
| ● Safety Approval: cULus                 |

N=Number of poles  
 DIM L=(N-1)x15.0+39.4  
 DIM P=(N-1)x15.0  
 DIM B=(N-1)x15.0+29.0  
 DIM C=(N-1)x15.0+16.3

poles	Tolerance
2-4p	±0.20
5-7p	±0.35
8-10p	±0.50

PART NO.: KX xx C 1 x 1 00J 0 G

- |              |          |                     |  |
|--------------|----------|---------------------|--|
| Solid block  | 0        | Black (RAL9005)     | RoHS compliant<br>(lead<4%)<br>In copper Alloy |
| No. of poles | 2        | Red (RAL3001/D)     |  |
| 02           | 2 poles  | 3 Orange(RAL2011/P) |  |
| 03           | 3 poles  | 4 Yellow(RAL1018/A) |  |
| ...          | ...      | 5 Green(RAL6018/T)  |  |
| 10           | 10 poles | 6 Blue (RAL5015/A)  |  |
|              |          | 8 Grey(RAL7035/D)   |  |
|              |          | 9 White(RAL1102)    |  |
|              |          | C Green(RAL6018/U)  |  |

mat'l. code		surface ASME Y14.5	tolerance ASME Y14.5	projection	product family TERMINAL BLOCK
ltr	ecn no	dr	date	 MM	title TERMINAL BLOCK PLUGGABLE PLUG,WITH FLANGE
tolerances unless otherwise specified					
angles		X.±0.5			dwg no KXxxC1x100J0G sheet 1 of 1 size A4
X*±1"		X.XX±0.1			
dr		EVIN ZHONG	051214		
enr		EVIN ZHONG	051214		
chr		HANKE FENG	051214	type CUSTOMER Drawing	
appd		SHI JUN	051214		
sheet index	revision	A			
	sheet	1			