

ML8511

UV Sensor with Voltage Output

GENERAL DISCRIPTION

The ML8511 is a UV sensor, which is suitable for acquiring UV intensity indoors or outdoors. The ML8511 is equipped with an internal amplifier, which converts photo-current to voltage depending on the UV intensity. This unique feature offers an easy interface to external circuits such as ADC. In the power down mode, typical standby current is 0.1 μ A, thus enabling a longer battery life.

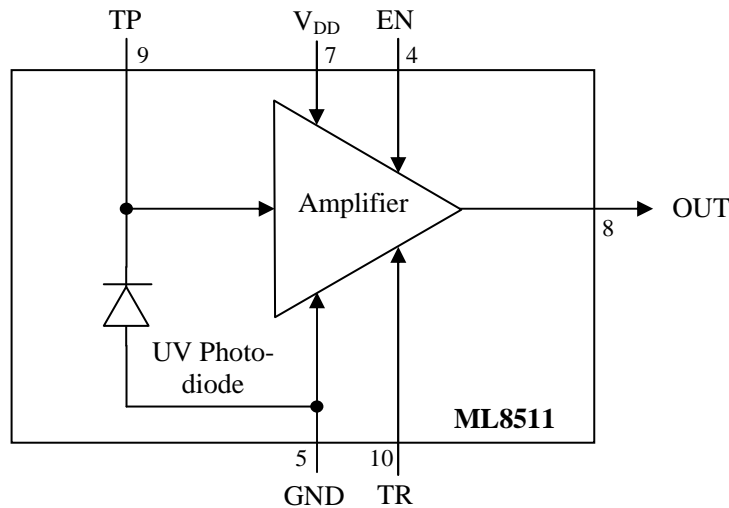
FEATURES

- Photodiode sensitive to UV-A and UV-B
- Embedded operational amplifier
- Analog voltage output
- Low supply current (300 μ A typ.) and low standby current (0.1 μ A typ.)
- Small and thin surface mount package (4.0mm x 3.7mm x 0.73mm, 12-pin ceramic QFN)

APPLICATIONS

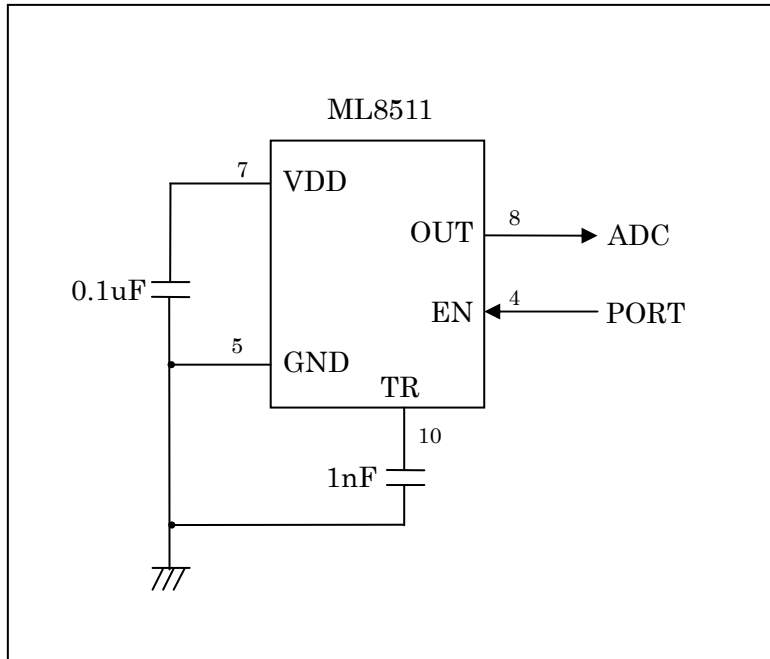
- Smart phone, Watch, Weather station, Bicycle navigation, Accessory, Gaming

BLOCK DAIAGRAM



PIN CONFIGURATIONS

Pin	Symbol	I/O	Function
7	VDD	PW	Supply voltage. Decouple this pin to ground with 0.1 μ F capacitor.
5	GND	PW	Ground
4	EN	I	Active high enable pin. (High: Active mode, Low: Standby mode)
8	OUT	O	Output (Low in power down or standby mode)
9	TP	I/O	Test pin. Do not connect.
10	TR	I/O	Internal reference voltage. Decouple this pin to ground with 1 nF capacitor.
1,2,3, 6,11,12	NC	-	No Connection. Do not connect.

EXAMPLE OF CONNCTING DIAGRAM

* Load resistance of OUT port is recommended more than 100 k Ω .

ABSOLUTE MAXIMUM RATINGS

Parameter	Symbol	Condition	Rating	unit
Supply Voltage	V_{DD}	Ta=25 °C	-0.3 to +4.6	V
Input Voltage	V_I	Ta=25 °C	-0.3 to +4.6	V
Output Short Current	I_{OS}	Ta=25 °C	5	mA
Power Dissipation	P_D	Ta=25 °C	30	mW
Storage Temperature	T_{stg}	-	-30 to +85	°C

RECOMENDED OPERATION CONDITIONS

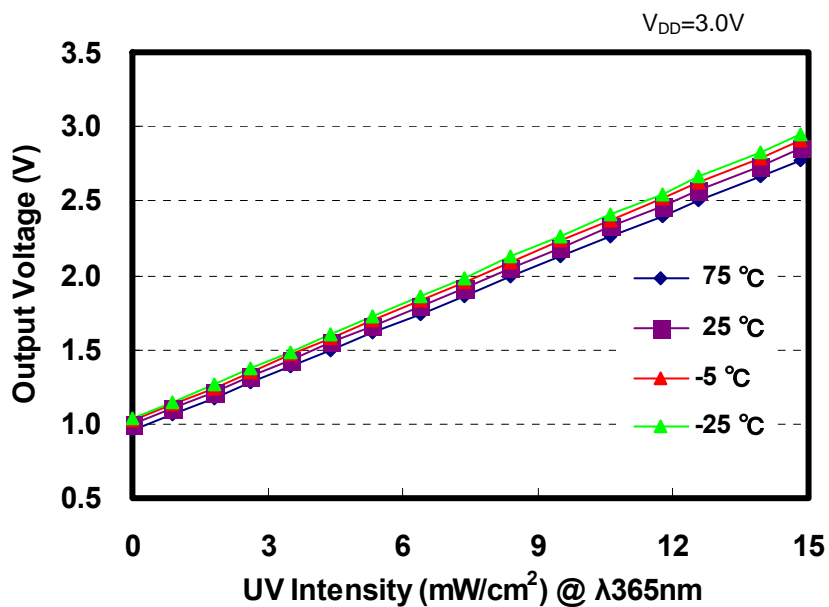
Parameter	Symbol	Min.	Typ.	Max.	unit
Operating Voltage	V_{DD}	2.7	3.3	3.6	V
Operating Temperature	Ta	-20	-	70	°C

ELECTRO-OPTICAL CHARACTERISTICS(V_{DD}=+2.7V to +3.6V, Ta= -20°C to +70°C)

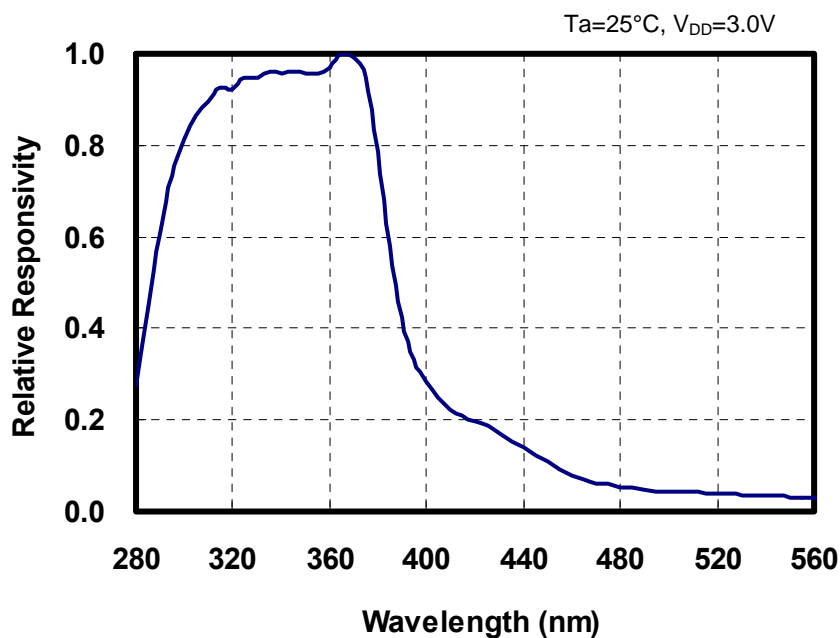
Parameter	Symbol	Condition	Min.	Typ.	Max.	unit
Supply Current (active mode)	I_{DDA}	$V_{EN}=V_{DD}$	-	300	500	μA
Supply Current (standby mode)	I_{DDs}	$V_{EN}=0$	-	0.1	1	μA
Input Voltage (High level)	V_{IH}	-	$V_{DD} \times 0.8$	-	$V_{DD} + 0.3$	V
Input Voltage (Low level)	V_{IL}	-	-0.2	-	0.72	V
High level input current	I_{IH}	$V_{EN}=V_{DD}$	-	-	1	μA
Low level input current	I_{IL}	$V_{EN}=0$	-1	-	-	μA
Wavelength of maximum sensitivity	λ_p	Ta=25°C	-	365	-	nm
Output Setup Time	T_{SU}	$V_{EN}=V_{DD}$	-	-	1	ms
Output Voltage (Shading) *	V_{REF}	Ta=25°C, $V_{EN}=V_{DD}$	0.95	1.0	1.05	V
Output Voltage (10mW/cm ² at λ_p) *	V_O	Ta=25°C, $V_{EN}=V_{DD}$	2.08	2.2	2.32	V

* Load resistance of OUT port is recommended more than 100 kΩ.

OUTPUT VOLTAGE- UV INTENSITY CHARACTERISTICS



SPECTRAL RESPONSIVITY CHARACTERISTICS

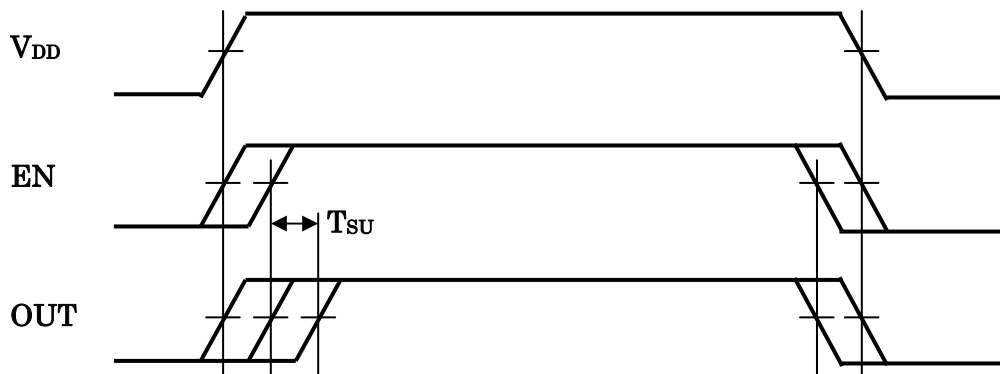


TIMING CHART

Supply voltage and EN signal state should take one of the following procedures:

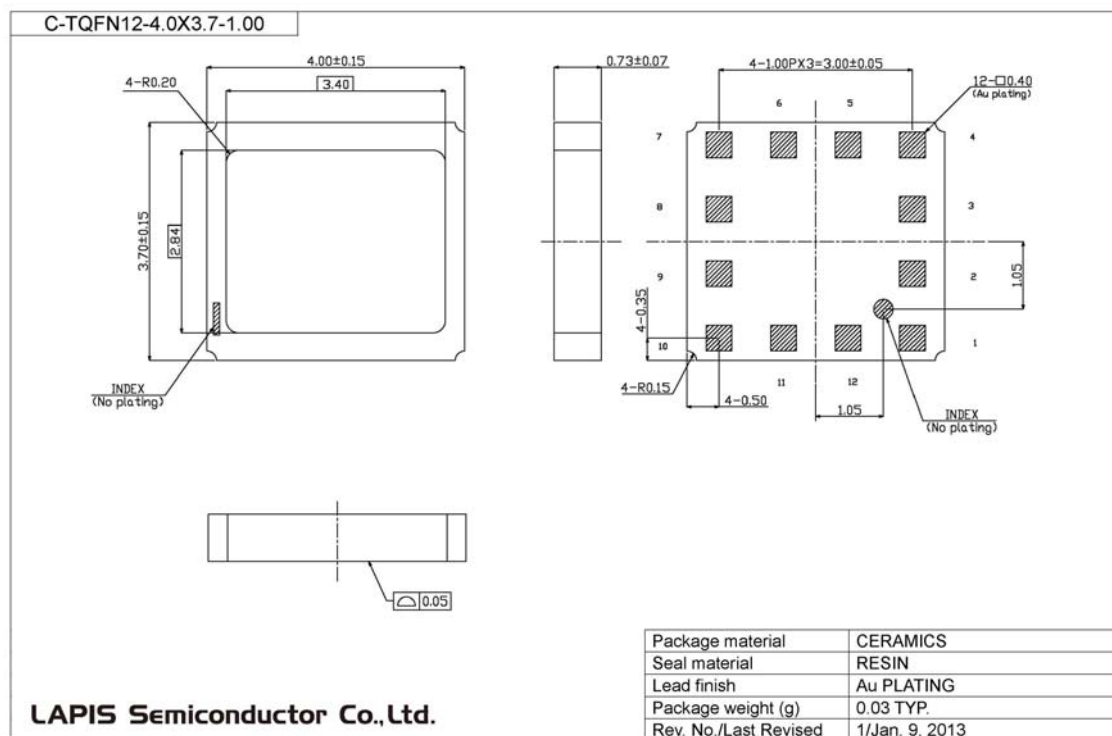
1. EN should be HIGH or LOW at the same time when V_{DD} is applied.
2. EN should be HIGH or LOW while V_{DD} is applied.

Output should be read after output voltage level becomes stable. Maximum time required until stable output voltage reaches is 1 millisecond after EN goes HIGH.



PACKAGE DIMENTIONS

(Unit: mm)



Notes for Mounting the Surface Mount Type Package

The surface mount type packages are very susceptible to heat in reflow mounting and humidity absorbed in storage. Therefore, before you perform reflow mounting, contact our responsible sales person for the product name, package name, pin number, package code and desired mounting conditions (reflow method, temperature and times).

Specifications are defined without considering the UV absorption by an external cover material. Please contact our sales representative when the cover material is applied.

Do not press or rub the surface of the resin covering the top of the package where, which is on the UV-ray is light received.

In addition, do not apply pressure at high temperature.

REVISION HISTORY

Document No.	Date	Page		Description
		Previous Edition	Current Edition	
FEDL851100FC-01	Sep. 3, 2008	-		Preliminary edition
FEDL8511-02	Jan. 24, 2008	-	1	Added disclaimer
FEDL8511-03	Nov. 7, 2008	-	-	Changed Logo OKI to OKI SEMICONDUCTOR
		1	5	The following items has been moved: PACKAGE, NOTICE, PRECAUTION and DISCLAIMER.
		2	1	The following items have been moved: BLOCK DIAGRAM and PIN CONFIGRATION
		3	2	The following tables has been partially modified: RECOMMENDED OPERATING CONDITIONS ELECTRO-OPTICAL CHARACTERISTICS
		3	2	Changed load resistance 500 kΩ to 100 kΩ
		-	3	Added graphs
		-	4	Added "TIMING CHART"
FJDL8511-04	Jan. 17, 2013	1	1	Feature description is removed. Applications section is added.
		4	4	Explanation is provided to the timing chart.
		5	5	Package drawing is updated. Descriptions in the NOTE are modified. DISCLIMER is removed.
FJDL8511-05	Mar. 8, 2013	1	1	Descriptions in Pin configurations are modified.
		-	2	Example of connecting diagram is added.

NOTES

No copying or reproduction of this document, in part or in whole, is permitted without the consent of LAPIS Semiconductor Co., Ltd.

The content specified herein is subject to change for improvement without notice.

The content specified herein is for the purpose of introducing LAPIS Semiconductor's products (hereinafter "Products"). If you wish to use any such Product, please be sure to refer to the specifications, which can be obtained from LAPIS Semiconductor upon request.

Examples of application circuits, circuit constants and any other information contained herein illustrate the standard usage and operations of the Products. The peripheral conditions must be taken into account when designing circuits for mass production.

Great care was taken in ensuring the accuracy of the information specified in this document. However, should you incur any damage arising from any inaccuracy or misprint of such information, LAPIS Semiconductor shall bear no responsibility for such damage.

The technical information specified herein is intended only to show the typical functions of and examples of application circuits for the Products. LAPIS Semiconductor does not grant you, explicitly or implicitly, any license to use or exercise intellectual property or other rights held by LAPIS Semiconductor and other parties. LAPIS Semiconductor shall bear no responsibility whatsoever for any dispute arising from the use of such technical information.

The Products specified in this document are intended to be used with general-use electronic equipment or devices (such as audio visual equipment, office-automation equipment, communication devices, electronic appliances and amusement devices).

The Products specified in this document are not designed to be radiation tolerant.

While LAPIS Semiconductor always makes efforts to enhance the quality and reliability of its Products, a Product may fail or malfunction for a variety of reasons.

Please be sure to implement in your equipment using the Products safety measures to guard against the possibility of physical injury, fire or any other damage caused in the event of the failure of any Product, such as derating, redundancy, fire control and fail-safe designs. LAPIS Semiconductor shall bear no responsibility whatsoever for your use of any Product outside of the prescribed scope or not in accordance with the instruction manual.

The Products are not designed or manufactured to be used with any equipment, device or system which requires an extremely high level of reliability the failure or malfunction of which may result in a direct threat to human life or create a risk of human injury (such as a medical instrument, transportation equipment, aerospace machinery, nuclear-reactor controller, fuel-controller or other safety device). LAPIS Semiconductor shall bear no responsibility in any way for use of any of the Products for the above special purposes. If a Product is intended to be used for any such special purpose, please contact a ROHM sales representative before purchasing.

If you intend to export or ship overseas any Product or technology specified herein that may be controlled under the Foreign Exchange and the Foreign Trade Law, you will be required to obtain a license or permit under the Law.