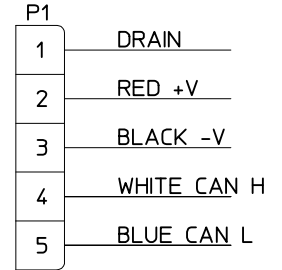
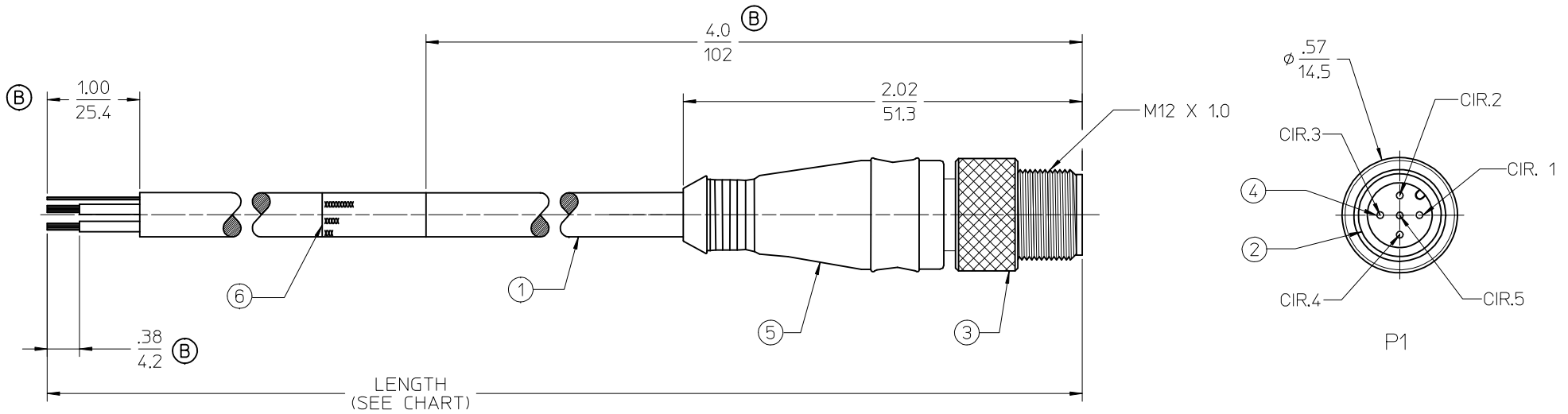


10	9	8	7	6	5	4	3	2	1
MATERIAL NO.	ENGINEERING NO.	LENGTH							
848548021	84854-8021	.5M +44.5mm-0							
848548022	84854-8022	1M +55.6mm-0							
848548023	84854-8023	2M +88.9mm-0							
848548024	84854-8024	3M +88.9mm-0							
848548025	84854-8025	4M +165.1mm-0							
848548026	84854-8026	5M +165.1mm-0							
848548027	84854-8027	6M +165.1mm-0							
848548032	84854-8032	1 FT .75IN-0							
848548033	84854-8033	3 FT +1.75IN-0							
848548034	84854-8034	4 FT +2.19IN-0							
848548035	84854-8035	9 FT +3.50IN-0							
848548036	84854-8036	10M +317.5mm-0							

- (B)** NOTES:
1. MATERIAL: SEE TABLE
 2. FINISHES: SEE TABLE
 3. ELECTRICAL SPECIFICATIONS
VOLTAGE RATING: 250V
CURRENT RATING: 4 AMPS
 4. PROTECTION: IP67 (WHEN MATED)
 5. TEMP RANGE: -20°C TO +80°C
 6. DIMS SHOWN ARE FOR REFERENCE ONLY UNLESS OTHERWISE NOTED



WIRING DIAGRAM



TABLE

6	WRAP LABEL	MYLAR	BLACK/YELLOW
5	OVERMOLD	PVC	GRAY
4	CONTACT PINS	Cu ALLOY	GOLD PLATED
3	COUPLING, MALE THD, METRIC	BRASS	NICKEL PLATED
2	INSULATOR, 5/C, DC KEY	NYLON	BLACK
1	CABLE, DEVICE-NET, THIN	PVC	GRAY
ITEM	DESCRIPTION	MATERIAL	FINISH

ADD P/N 848548036, DIMS.
UPDATE NOTES REV
EC NO: IPG2017-06Z7
2016/12/21
DR:WHRSTONE
CHK:K COX
APPR:BWODMAN
2016/12/28
2017/02/04

QUALITY SYMBOLS
▽=0
▽=0

GENERAL TOLERANCES (UNLESS SPECIFIED)	
mm	INCH
4 PLACES ± ---	± ---
3 PLACES ± ---	± ---
2 PLACES ± ---	± ---
1 PLACE ± ---	± ---
0 PLACE ± ---	± ---

ANGULAR ± ---°
DRAFT WHERE APPLICABLE
MUST REMAIN WITHIN DIMENSIONS

DIMENSION STYLE	
IN/MM	
DRAWN BY	DATE
RSTONE	2016/12/21
CHECKED BY	DATE
K COX	2016/12/28
APPROVED BY	DATE
BWOODMAN	2017/02/04
MATERIAL NO.	
SEE CHART	
SIZE	B

SCALE	DESIGN UNITS	THIRD ANGLE PROJECTION
1:1	INCH	☉
TITLE		
MICRO-CHANGE ASSEMBLY MALE, SINGLE END NMEA2000		
molex		
DOCUMENT NO.	SD-84854-018	SHEET NO.
		1 OF 1