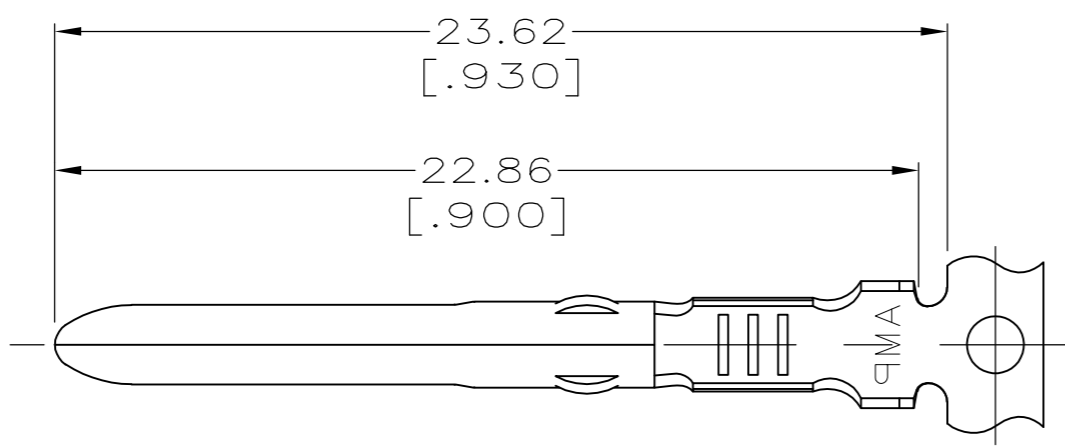
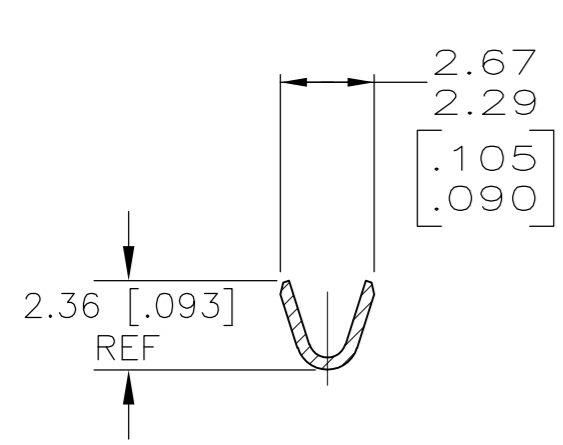
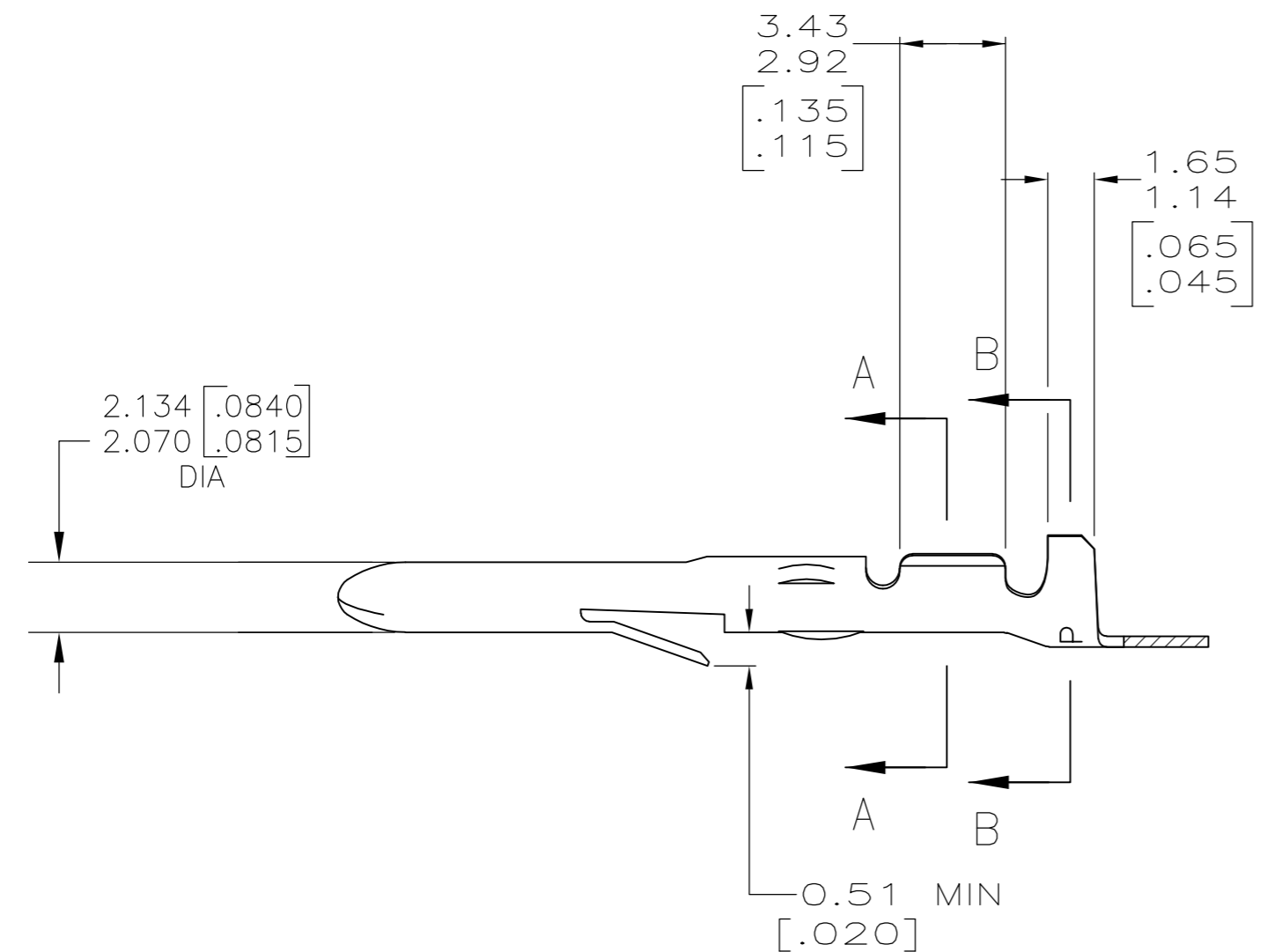


THIS DRAWING IS UNPUBLISHED. RELEASED FOR PUBLICATION  
 © COPYRIGHT - By - ALL RIGHTS RESERVED.

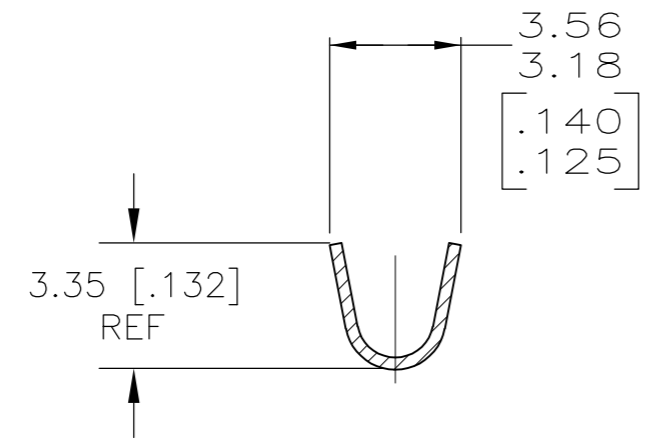
LOC	DIST	REVISIONS					
CM	53	P	LTR	DESCRIPTION	DATE	DWN	APVD
		P1		REV PER ECO 12-13810	13SEPT12	JR	TM



1. REFER TO AMP SPEC 108-1015 FOR TERMINATION REQUIREMENTS.
2. WIRE RANGE: 0.2 - 0.9 mm<sup>2</sup> [24 - 18 AWG].
3. INSULATION RANGE: 2.54 [.100] MAX DIA.
4. DIMENSIONS IN BRACKETS ARE IN INCHES.



SECTION A-A



SECTION B-B

PRE-TIN	0.30 [.012] BRASS	61527-2
FINISH	MATERIAL	PART NO

THIS DRAWING IS A CONTROLLED DOCUMENT.		DWN	1-28-93	TE Connectivity
DIMENSIONS: mm [INCHES]		CHK	1-28-93	
TOLERANCES UNLESS OTHERWISE SPECIFIED:		APVD	2-10-93	
0 PLC ± - 1 PLC ± - 2 PLC ± 0.25 [.010] 3 PLC ± - 4 PLC ± - ANGLES ± -		NAME	C. MARTIN	
MATERIAL SEE TABLE		FINISH	SEE TABLE	PRODUCT SPEC - APPLICATION SPEC - SIZE A2 CAGE CODE 00779 DRAWING NO C-61527 RESTRICTED TO - WEIGHT - SCALE 5:1 SHEET 1 of 1 REV P1
SEE TABLE		CUSTOMER DRAWING		