

THIS DRAWING IS UNPUBLISHED.

RELEASED FOR PUBLICATION

ALL RIGHTS RESERVED.

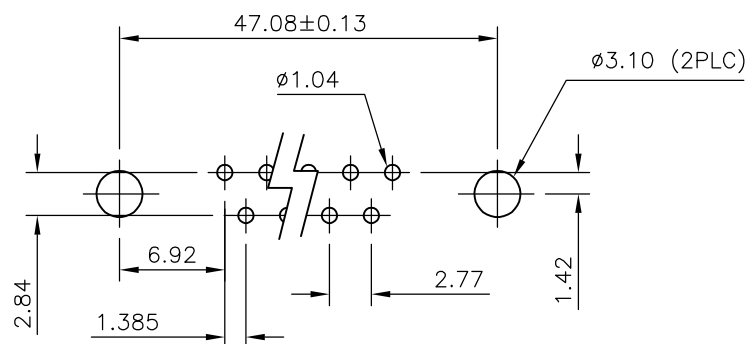
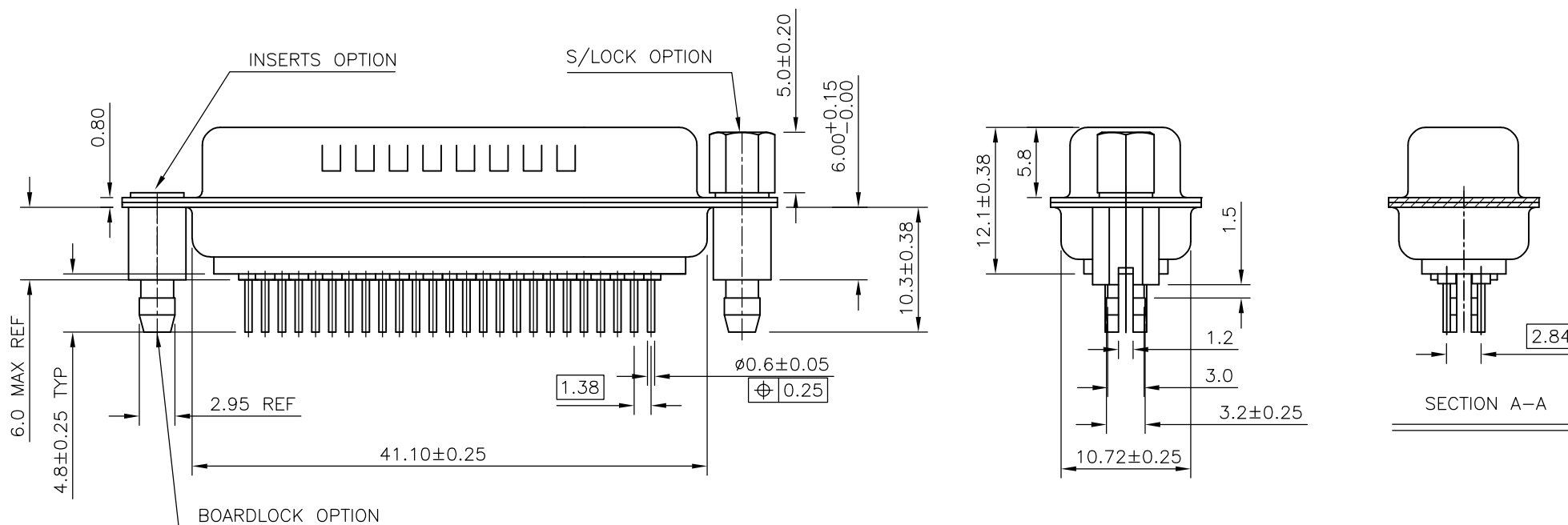
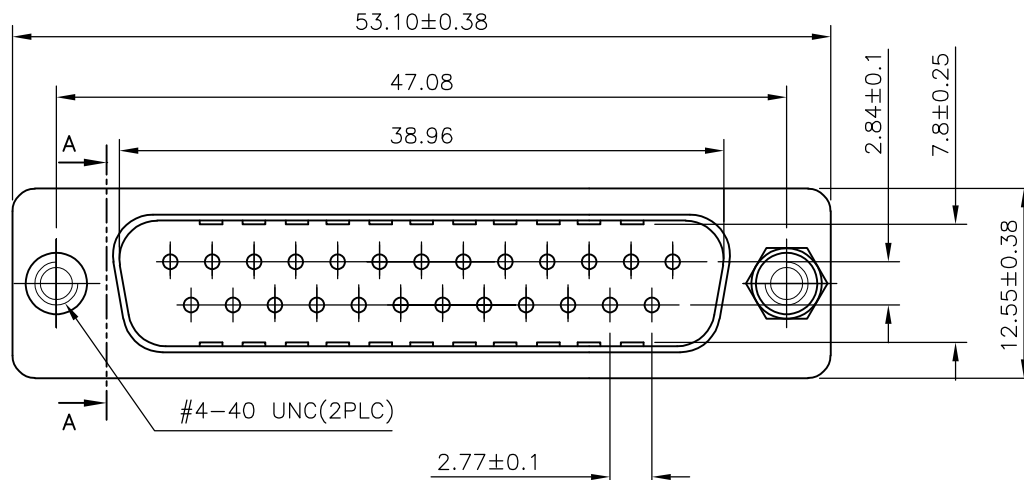
LOC GP DIST 00

REVISIONS

P	LTR	DESCRIPTION	DATE	DWN	APVD
	J	REVISED PER ECO-14-000651	05FEB2014	AP	SB

- 1 MATERIAL  
HOUSING : THERMOPLASTIC, UL94V-0, BLACK  
CONTACTS : BRASS.  
SHELL : STEEL  
SCREW : BRASS.  
BOARD LOCK : BRASS.  
SCREW OF TORQUE : 5 Kg-cm MAX.
- 2 FINISH  
CONTACT : 15µ" MIN.GOLD PLATING ON CONTACT AREA  
100µ" MIN. TIN PLATING ON SOLDERTAILS  
50µ" MIN. NICKEL UNDERPLATED OVERALL  
SHELL : 100µ" MIN NICKEL PLATING  
SCREW : 50µ" MIN. NICKEL PLATING.  
BOARD LOCK : 50µ" MIN. NICKEL PLATING.
- 3 CHARACTERISTICS  
CURRENT RATING : 3A  
INSULATION RESISTANCE : 1000MOHMS MIN, 500VDC FOR 2MINS.  
TEMPERATURE RATING : -55DEGC ~ +105DEGC  
VOLTAGE RATING : 250VDC

4 OBSOLETE PARTS: OBSOLETE CIS STREAMLINING PER D.RENAUD/D.SINISI.



RECOMMENDED PCB LAYOUT(TOP VIEW)  
(PCBTOLERANCE : ±0.05)

4	OBSOLETE	25W D PLG WITH B/L & M3 S/LOCK 15µ" GOLD	4-1634220-2
		25W D PLG WITH B/L & 4-40 S/LOCK 15µ" GOLD	3-1634220-2
4	OBSOLETE	25W D PLG WITH B/L & M3 INSERTS 15µ" GOLD	2-1634220-2
		25W D PLG WITH B/L & 4-40 INSERTS 15µ" GOLD	1-1634220-2
		DESCRIPTION	PART NO.

THIS DRAWING IS A CONTROLLED DOCUMENT.		DWN J.SANDWELL 10APR03	TE Connectivity	
DIMENSIONS: mm		CHK R.DYER 10APR03		
TOLERANCES UNLESS OTHERWISE SPECIFIED:		APVD F.WHEELER-KING 10APR03	NAME D-SUB HD20, VERTICAL, 25P PLUG CONNECTOR	
0 PLC ± -		PRODUCT SPEC -	SIZE	
1 PLC ± 0.25		APPLICATION SPEC -	CAGE CODE	DRAWING NO
2 PLC ± 0.15		WEIGHT -	A300779	C-1634220
3 PLC ± -		CUSTOMER DRAWING	SCALE 2:1	SHEET 1 OF 2
4 PLC ± -			REV J	
ANGLES ± 3'				
FINISH -				

THIS DRAWING IS UNPUBLISHED.

RELEASED FOR PUBLICATION

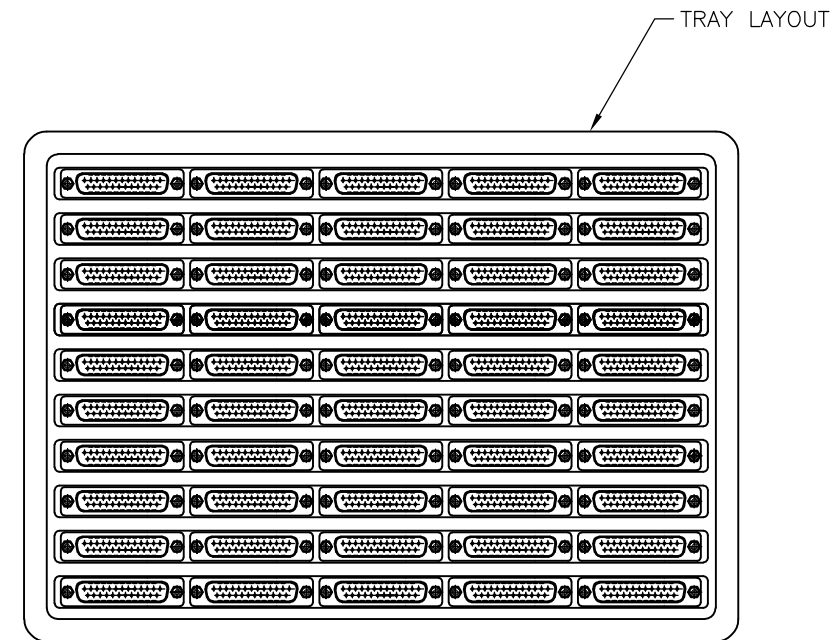
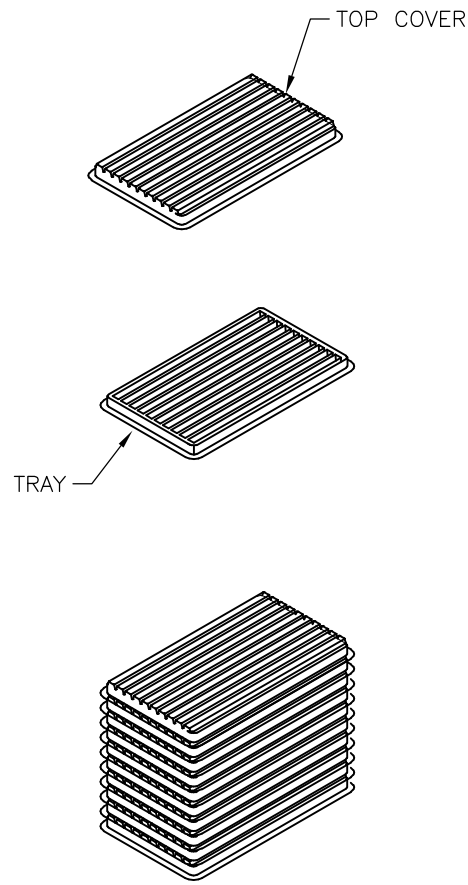
ALL RIGHTS RESERVED.

© COPYRIGHT - By -

LOC GP DIST 00

REVISIONS

P	LTR	DESCRIPTION	DATE	DWN	APVD
-	-	SEE SHEET 1	-	-	-



MATERIAL

- 1 TRAY: PVC
- 2 SHIPPING CARTON: CORRUGATED FIBERBOARD

DIMENSIONS

- 1 TRAY: L=310, W=230, H=21
- 2 SHIPPING CARTON: L=330, W=245, H=160

QUANTITY

- 50 PCS/TRAY
- 10 TRAY/SHIPPING CARTON

THIS DRAWING IS A CONTROLLED DOCUMENT.		DWN J.SANDWELL 10APR03	TE Connectivity														
DIMENSIONS: mm		CHK R.DYER 10APR03															
TOLERANCES UNLESS OTHERWISE SPECIFIED:		APVD F.WHEELER-KING 10APR03	NAME D-SUB HD20, VERTICAL, 25P PLUG CONNECTOR														
<table border="0"> <tr><td>0 PLC</td><td>± -</td></tr> <tr><td>1 PLC</td><td>± 0.25</td></tr> <tr><td>2 PLC</td><td>± 0.15</td></tr> <tr><td>3 PLC</td><td>± -</td></tr> <tr><td>4 PLC</td><td>± -</td></tr> <tr><td>ANGLES</td><td>± 3°</td></tr> </table>		0 PLC	± -	1 PLC	± 0.25	2 PLC	± 0.15	3 PLC	± -	4 PLC	± -	ANGLES	± 3°	PRODUCT SPEC -	SIZE A3		
0 PLC	± -																
1 PLC	± 0.25																
2 PLC	± 0.15																
3 PLC	± -																
4 PLC	± -																
ANGLES	± 3°																
MATERIAL -		APPLICATION SPEC -	CAGE CODE 00779	DRAWING NO C-1634220	RESTRICTED TO -												
FINISH -		WEIGHT -	CUSTOMER DRAWING														
		SCALE 2:1	SHEET 2 OF 2	REV J													