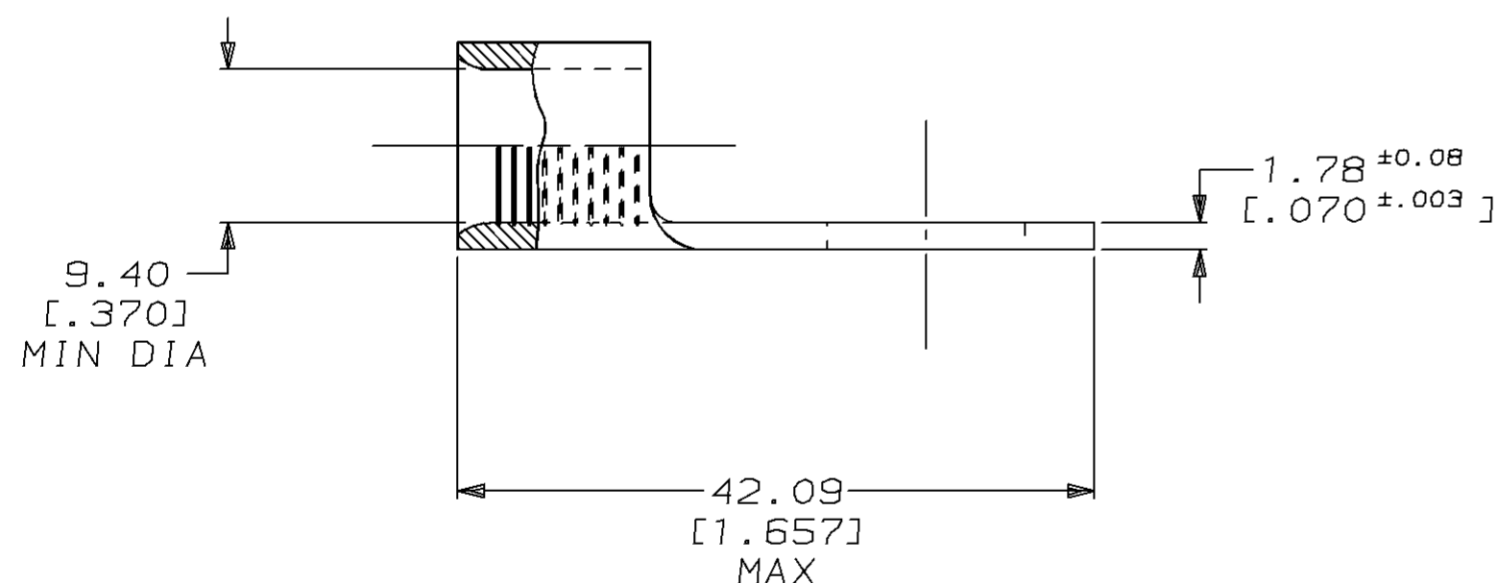
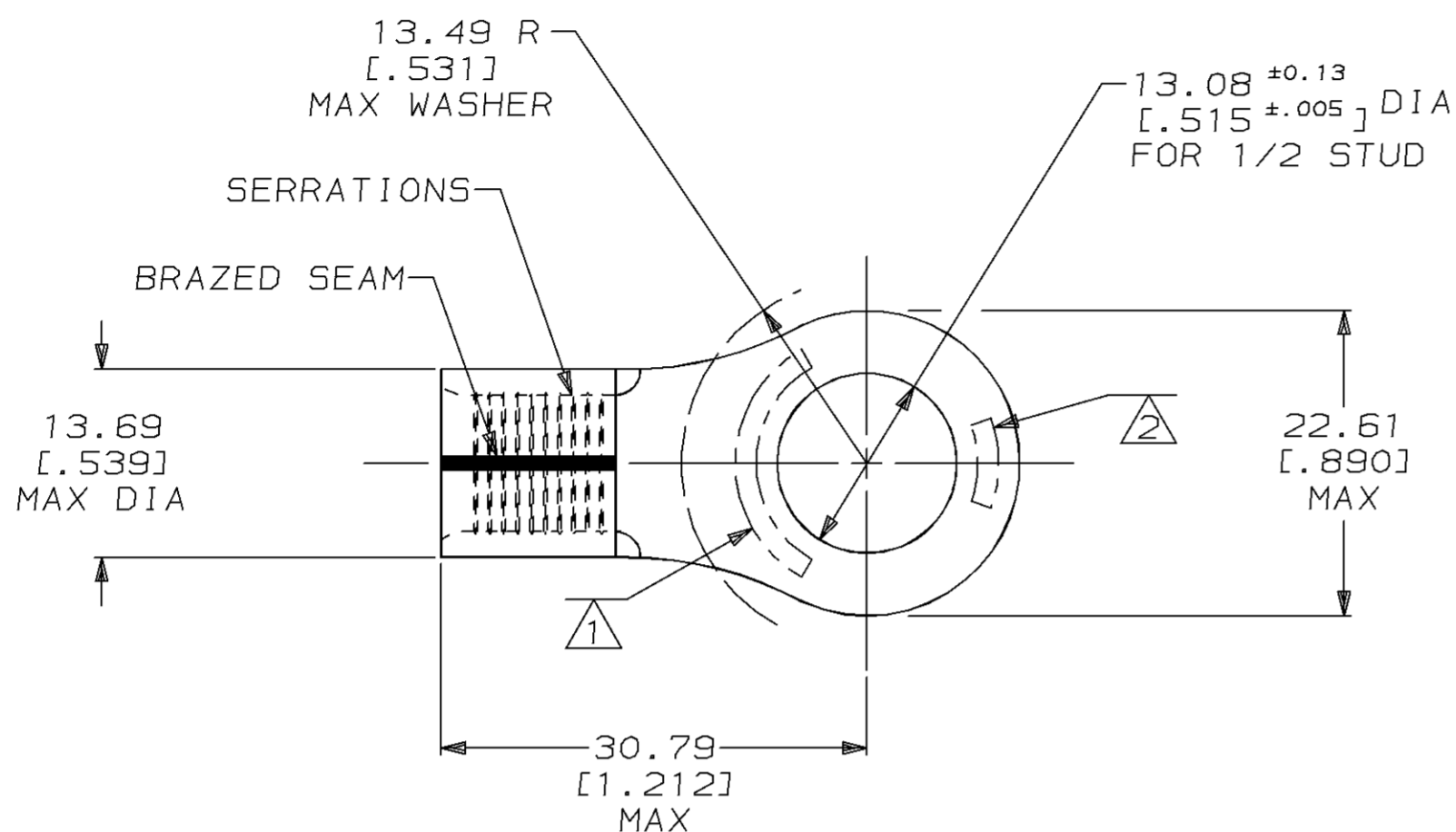


THIS DRAWING IS UNPUBLISHED. RELEASED FOR PUBLICATION, 19 .  
 © COPYRIGHT 19 BY AMP INCORPORATED. ALL INTERNATIONAL RIGHTS RESERVED.

AMP PART NUMBER	PACKAGE TYPE	QTY
8-35185-3	LOOSE PIECE, BOX	25
8-35185-5	LOOSE PIECE, BAG	10

LOC	DIST	P	F	ZONE	LTR	DESCRIPTION	DATE	APPD
G	14				F	REVISED PER OL20-0045-97	24MAR97	OKS CHK

<b>AMP</b> WIRE RANGE	<b>UL</b> E13288 Listed
2 AWG SOLID OR STRANDED	2 AWG STRANDED
<b>SR</b> LR7189 Certified	MILITARY P/N AND CLASS
2 AWG SOLID OR STRANDED	NOT APPLICABLE



- ① STAMP AMP 2W\* APPROX AS SHOWN
- ② STAMP 60-75 APPROX AS SHOWN
- ③ SEE RESTRICTED CUSTOMER DRAWING 2-35185-3

AMP INCORPORATED CUSTOMER SERVICE SYSTEMS		MAX RECOMMENDED OPERATING TEMPERATURE: 170°C MAX	DO NOT SCALE PRINT. UNLESS SPECIFIED DIMENSIONS IN mm [INCHES] TOLERANCES ON: 2 PLC DEC ± 0.20 [.008] 3 PLC DEC ± - ANGLES ± -	DR 5/18/93 DK SCHRUM CHK 1/27/94 RD HEIM APPD 1/27/94 RE ROSER APPD 1/27/94 JL MECKLEY PRODUCT SPEC - APPLICATION SPEC - WEIGHT -	FINISH TIN PLATE 0.00254 [.000100] MIN THK PER MIL-T-10727	<table border="1"> <tr> <td>-</td> <td>2-35185-3</td> </tr> <tr> <td>③</td> <td>35185</td> </tr> <tr> <td>FINISH</td> <td>PART NO</td> </tr> </table>	-	2-35185-3	③	35185	FINISH	PART NO
-	2-35185-3											
③	35185											
FINISH	PART NO											
FOR ADDITIONAL PRODUCT INFORMATION OR COPIES OF DRAWINGS AND TECHNICAL DOCUMENTS	PRODUCT INFORMATION CENTER 1-800-522-6752	VOLTAGE RATING: NOT APPLICABLE	MATERIAL COPPER ASTM B-152 ANNEALED	NAME <b>AMP</b> AMP Incorporated Harrisburg, PA 17105-3608								
FOR APPLICATION TOOLING INFORMATION	TOOLING ASSISTANCE CENTER 1-800-722-1111	CIRCULAR MIL AREA: 26.7-42.4mm² [52,600-83,700] CIR MILS SOLID OR STRANDED	TERMINAL, RING TONGUE, SOLISTRAND™		SIZE C 00779							
FOR ORDER ENTRY	1-800-526-5142	THIS DRAWING IS A CONTROLLED DOCUMENT FOR AMP INCORPORATED. IT IS SUBJECT TO CHANGE AND THE CONTROLLING ENGINEERING ORGANIZATION SHOULD BE CONTACTED FOR THE LATEST REVISION.	DRAWING NO C-35185		DRAWING NO C-35185							
				SCALE 2:1	SHEET 1 OF 1							