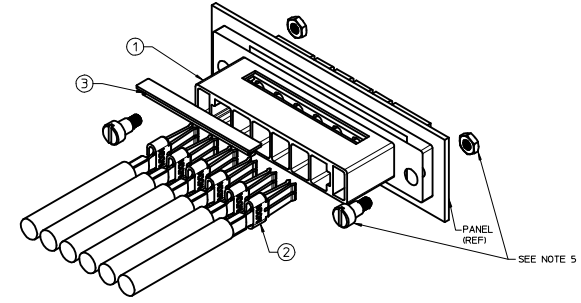
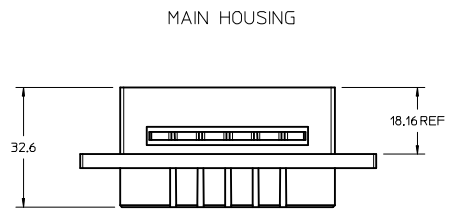


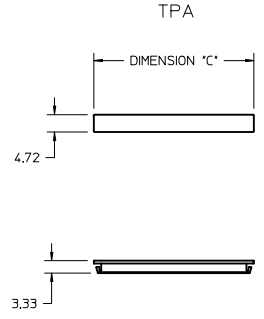
CKT SIZE	① MAIN HOUSING	② POWER TERMINAL	③ TPA	DIMENSION 'A'	DIMENSION 'B'	DIMENSION 'C'	DIMENSION 'D'
	MATERIAL: PBT, FILLED	MATERIAL: COPPER ALLOY FINISH: TIN OVER NICKEL W/ SELECT GOLD	MATERIAL: PBT, FILLED				
2P	172511-0002	173693-****	46708-3200	50,71	41,91	13,65	30,48
3P	172511-0003	173693-****	46708-3300	58,21	49,41	21,15	37,98
4P	172511-0004	173693-****	46708-3400	65,71	56,91	28,65	45,48
5P	172511-0005	173693-****	46708-3500	73,21	64,41	36,15	52,98
6P	172511-0006	173693-****	46708-3600	80,71	71,91	43,65	60,48



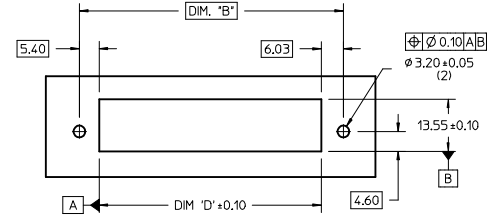
EXPLODED VIEW



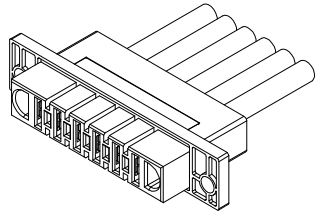
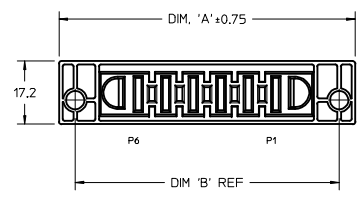
MAIN HOUSING



TPA



PANEL CUTOUT
(FRONT VIEW)



- NOTES:
- SEE CHART FOR MATERIAL DETAILS.
 - PART MATES TO MOLEX PLUG SERIES 172457.
 - ASSEMBLY SHOWN FOR REFERENCE ONLY. EACH ITEM HAS TO BE ORDERED SEPARATELY.
 - SEE SD-173693-001 FOR POWER TERMINAL DETAILS.
 - PANEL MOUNTING HARDWARE: (2) M3 X 0.5 X 4.00 LG PRECISION SHOULDER SCREWS AND (2)M3 X 0.5 HEX NUTS TO BE PURCHASED SEPARATELY BY CUSTOMER.

CHG TRML P/N EC NO: UCP2016-4071 DRAWN: JSCHAFFER 2016/04/18 CHKD: APPR: BPSZCZOR 2016/10/03	QUALITY SYMBOLS ▽=0 ▽=0 ▽=0	GENERAL TOLERANCES (UNLESS SPECIFIED)		DIMENSION STYLE MM ONLY		SCALE 1.5:1	DESIGN UNITS METRIC	THIRD ANGLE PROJECTION				
		4 PLACES +--- +---	3 PLACES +--- +---	2 PLACES +0.13 +---	1 PLACE +0.25 +---	0 PLACE +--- +---	ANGULAR ±1/2°	DRAFT WHERE APPLICABLE MUST REMAIN WITHIN DIMENSIONS	DRAWN BY JSCHAFFER DATE 2014/01/22	CHECKED BY DATE	TITLE TEN60 RECEPTACLE ASSY 2-6 CIRCUIT PANEL TO BOARD	MATERIAL NO. SEE CHART