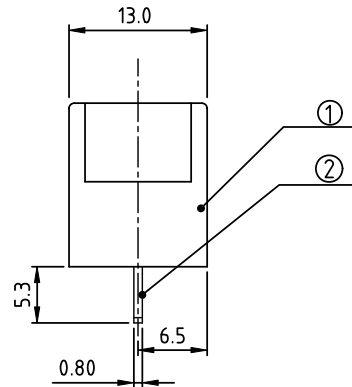
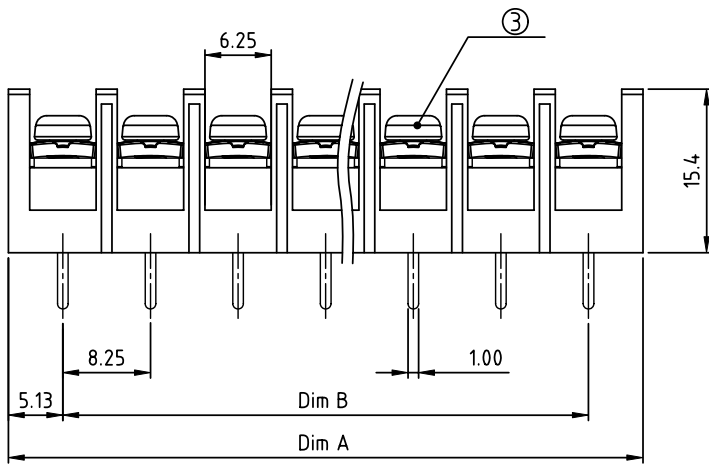
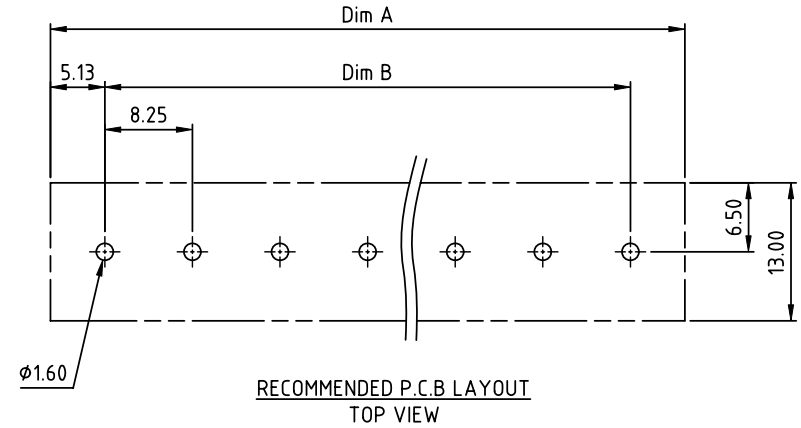
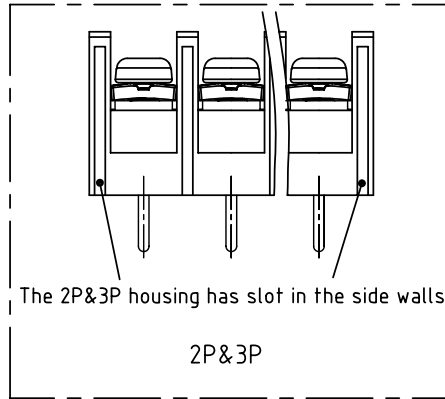
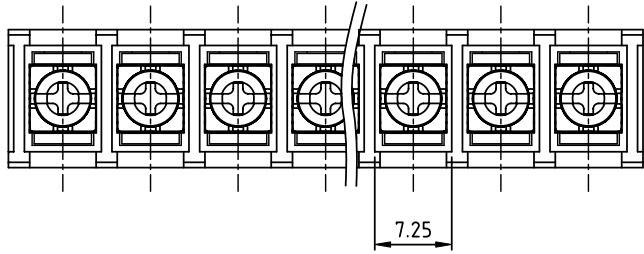


PRODUCT NUMBER	PITCH
YK402xx0x0JOG	8.25 mm



MATERIALS & ELECTRICAL

RATED VOLTAGE & CURRENT:	300 V, 20 A
WITHSTAND VOLTAGE:	AC 2000 V/Min
INSULATION RESISTANCE:	1000 M Ω OR MORE AT DC 500 V
OPERATING TEMPERATURE RANG:	-40 °C ~ +115 °C
SCREW TORQUE VALUE:	7 Lb-In.
WIRE RANGE:	22 - 12 AWG
1) HOUSING:	Thermoplastic , UL 94 V-0 BLACK
2) TERMINAL:	BRASS, 0.8t
3) TERMINAL SCREWS:	STEEL, M3

APPROVAL: US

DIMENSION

Dim A	$N \times 8.25 + 2.0$
Dim B	$(N-1) \times 8.25$

N=Number of poles

Poles	Tolerance
2p-4p	± 0.30
5p-8p	± 0.40
9p-16p	± 0.50
17p-23p	± 0.60
24p-30p	± 0.80

PART NO.: YK 402xx 0 x 0 JOG

No. of poles
02 2 poles
03 3 poles
...
30 30 poles

Plated		
Code	Terminal	Screw
0	G/F	G/F
1	G/F	Zinc
2	Tin	G/F
3	Tin	Zinc

RoHS compliant
(lead<4%)
In copper Alloy

mat'l. code		surface ASME Y14.5	tolerance ASME Y14.5	projection 	product family TERMINAL BLOCK
ltr	ecn no	dr	date	tolerances unless otherwise specified	title TERMINAL BLOCK
				angles $X^\circ \pm 1'$	BARRIER TYPE
				dr EVAN LU 061014	scale
				enr EVAN LU 061014	FCI
				chr HANKE FENG 061014	dwg no YK402xx0x0JOG
				appd SHI JUN 061014	sheet 1 of 1 size A4
sheet index	revision sheet	A	1		type CUSTOMER Drawing