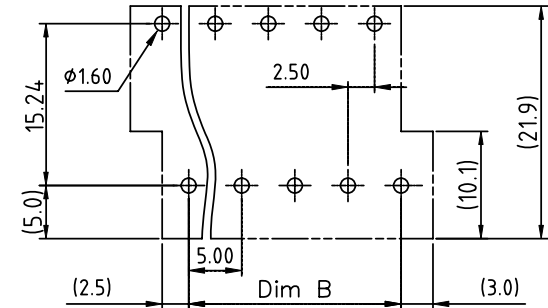
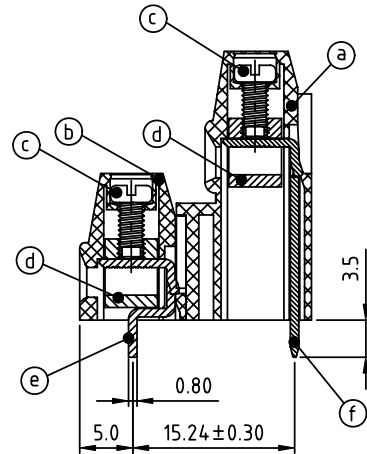
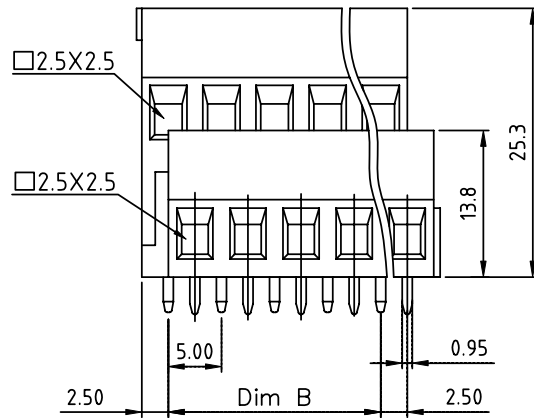
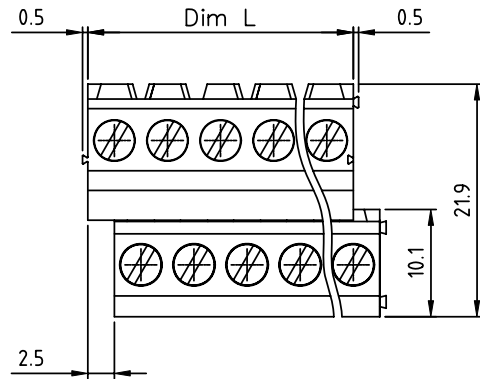


PRODUCT NUMBER	PITCH
YLxx21x000J0G	5.00 mm



RECOMMENDED P.C.B LAYOUT  
TOP VIEW

Material:

- Item a Terminal housing :Thermoplastic (UL 94V-0) (YE5.0)
- Item b Terminal housing :Thermoplastic (UL 94V-0) (YD5.0)
- Item c Terminal screw: Steel Zinc plating"-slot type
- Item d Clamp: Brass, Ni plated
- Item e Solder pin1: Brass, Tin plated (YD)
- Item f Solder pin2: Brass, Tin plated (YE)

Electrical cULus

- Voltage rating: 300VAC
- Current rating: 20A
- Wire range:
- Solid wire(AWG): 12-22
- Stranded wire(AWG): 12-22
- Torque(Lb-In): 3.5
- Screw: M2.5
- Wire strip length: 6-7mm
- Withstanding Voltage: 1.6KV
- Operating temperature: -40°C to +115°C
- Soldering temperature: 260°C±5°C/5 Sec
- Safety Approval:

DIMENSION

Dim L	N/2x5.0
Dim B	(N/2-1)x5.0

N=Number of poles

Poles	Tolerance
2x2p~2x6p	±0.20
2x7p~2x12p	±0.30
2x13p~2x18p	±0.35
2x19p~2x24p	±0.40

PART NO.: YL xx 2 1 x 0 00J0 G

	Color	RoHS compliant
End stackable	0 Black (RAL9005)	(lead<4%)
No. of poles	2 Red (RAL3001/D)	In copper Alloy
04 2x2 poles	3 Orange(RAL2011/P)	
06 2x3 poles	4 Yellow(RAL1018/A)	
...	5 Green(RAL6018/T)	
48 2x24 poles	6 Blue (RAL5015/A)	
	8 Grey(RAL7035/D)	
	9 White(RAL1102)	
	C Green(RAL6018/U)	

mat'l. code	surface ASME Y14.5	tolerance ASME Y14.5	projection	product family TERMINAL BLOCK		
ltr	ecn	no	dr	date	tolerances unless otherwise specified	title TERMINAL BLOCK
					angles	MM
					line	scale
					X*±1"	RISING CLAMP,180D WIRE INLET,END STACKABLE,RIGHT TYPE
	dr	EVIN ZHONG	041014			dwg no
	enr	EVIN ZHONG	041014			sheet 1 of 1
	chr	HANKE FENG	041014			size
	appd	SHI JUN	041014			A4
						type
						CUSTOMER Drawing
sheet index	revision	A				
	sheet	1				