

# Customer Information Sheet

DRAWING No.: M80-804XXXX

SHEET 2 OF 2

IF IN DOUBT - ASK

©

NOT TO SCALE

THIRD ANGLE PROJECTION

ALL DIMENSIONS IN mm

**SPECIFICATIONS:**

**MATERIAL:**  
 MOULDING = GLASS-FILLED PBT,  
 UL94V-0, BLACK

**CONTACTS = PHOSPHOR BRONZE**  
**LATCHES = BERYLLIUM COPPER**

**FINISH:**  
**CONTACTS:**  
 05 = 0.75µ GOLD  
 22 = 0.75µ GOLD ON CONTACT AREA.  
 3.0µ 90/10 TIN/LEAD ON TAILS

**LATCH = 1.25µ NICKEL**

**ELECTRICAL:**  
 CURRENT RATING (25°C) = 3.0A MAX.  
 CURRENT RATING (85°C) = 2.2A MAX.  
 WORKING VOLTAGE = 120V AC/DC  
 VOLTAGE PROOF = 360V AC/DC

**CONTACT RESISTANCE:**  
 INITIAL = 20 mΩ MAX.  
 AFTER CONDITIONING = 25 mΩ MAX.

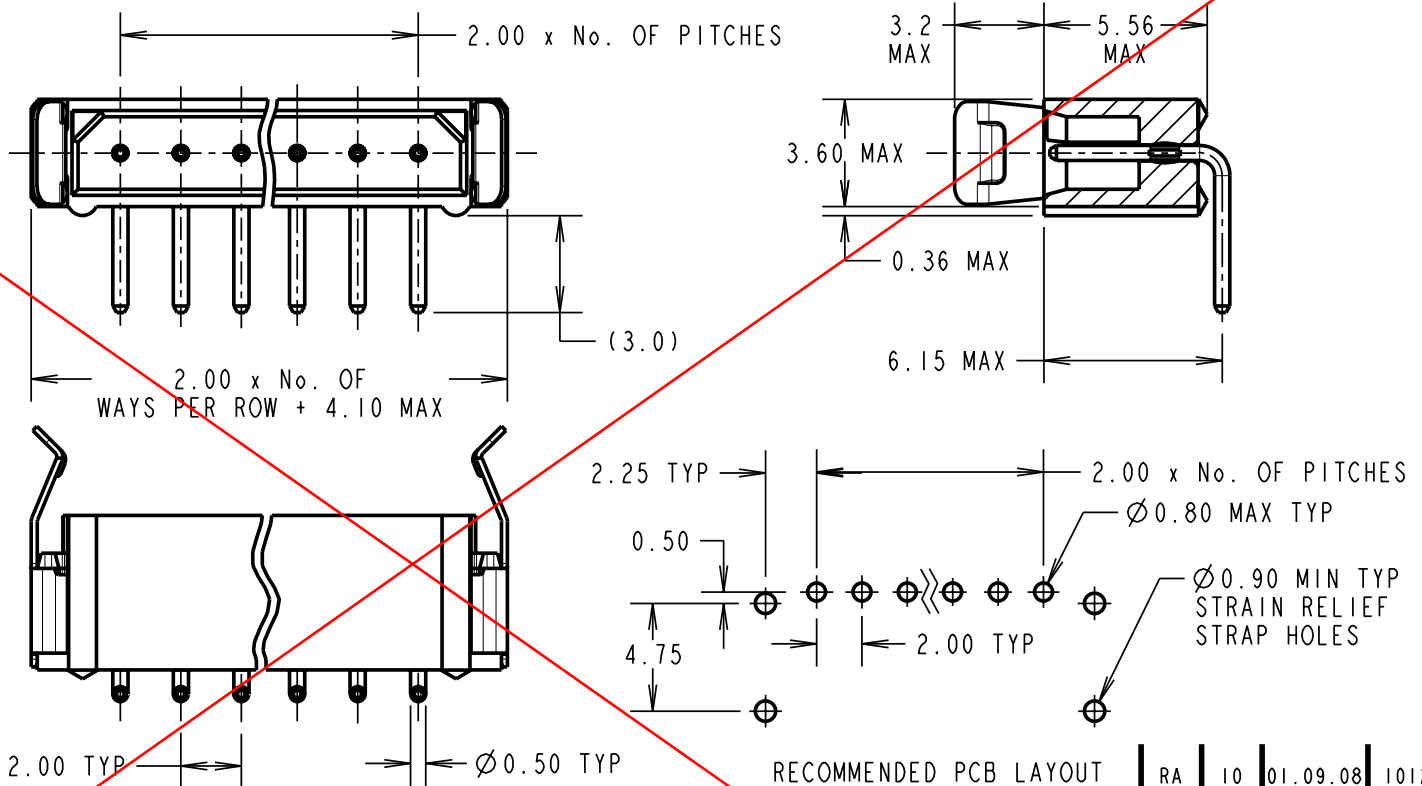
**INSULATION RESISTANCE:**  
 INITIAL = 1000 MΩ MIN.  
 AFTER CONDITIONING = 100 MΩ MIN.

**MECHANICAL:**  
 DURABILITY = 500 OPERATIONS

**ENVIRONMENTAL:**  
 TEMPERATURE RANGE = -55°C TO +125°C

**PACKING:**  
 TUBE

FOR COMPLETE SPECIFICATION, SEE COMPONENT SPECIFICATION C005XX (LATEST ISSUE)



**OBSOLETE**

All B5743 versions - LTB date 09-03-2018

All M80-804 versions - LTB date 07-09-2018

**NOTES:**

- 2-OFF STRAIN RELIEF STRAPS M80-0030006 ARE INCLUDED WITH THIS CONNECTOR.
- FOR RoHS COMPLIANT EQUIVALENT PRODUCT USE M80-846XXXX CONNECTORS.

BRITISH STANDARD ORDER CODE:

**B5743-1XX-M-L-Y**

TOTAL No. OF WAYS  
 02 - 07, 17, 22

FINISH:  
 Y = SELECTIVE GOLD & TIN/LEAD

ORDER CODE:

**M80-804XXXX**

TOTAL No. OF WAYS  
 02 - 07, 17, 22.

FINISH:  
 05 = GOLD  
 22 = SELECTIVE GOLD & TIN/LEAD

RA	10	01.09.08	10127
NAME	ISS.	DATE	C/NOTE
APPROVED:		R. ADDE	
CHECKED:		M.G. PLESTED	
DRAWN:		D. BECK	
CUSTOMER REF.:			
ASSEMBLY DRG:			

**HARWIN**

HARWIN USA TEL: 603 893 5376 FAX: 603 893 5396 mis@harwin.com	HARWIN Europe (UK) TEL: 023 9231 4545 FAX: 023 9231 4590 mis@harwin.co.uk	HARWIN Asia TEL: +65 6 779 4909 FAX: +65 6 779 3868 mis@harwin.com.sg
------------------------------------------------------------------------	------------------------------------------------------------------------------------	--------------------------------------------------------------------------------

THIS DRAWING AND ANY INFORMATION OR DESCRIPTIVE MATTER SET OUT HEREON ARE CONFIDENTIAL AND COPYRIGHT PROPERTY OF THE HARWIN GROUP AND MUST NOT BE DISCLOSED, LOANED, COPIED OR USED FOR MANUFACTURING, TENDERING OR FOR ANY OTHER PURPOSE WITHOUT THEIR WRITTEN PERMISSION.

**TOLERANCES**  
 X. = ±1mm  
 X.X = ±0.25mm  
 X.XX = ±0.10mm  
 X.XXX = ±0.01mm

ANGLES = ±5°  
 UNLESS STATED

**MATERIAL:**  
 SEE ABOVE

**FINISH:**  
 SEE ABOVE

**S/AREA:**  
 mm<sup>2</sup>

**TITLE:**  
 DATAMATE SIL  
 HORIZONTAL MALE PC TAIL  
 ASSEMBLY - FRICTION LATCH

**DRAWING NUMBER:**  
**M80-804XXXX**

SHT  
 2 OF 2