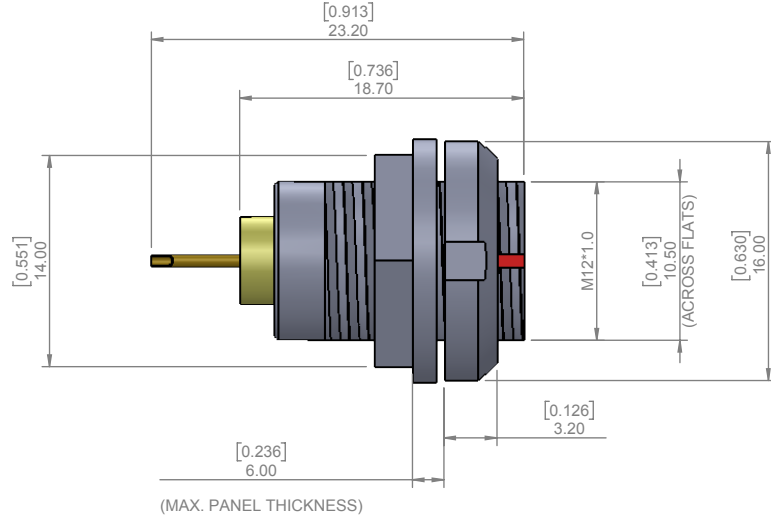


821B YYY - 2 0 3 R 00 1

SERIES 12.00 [0.475]  
 # OF POSITIONS (Ex. 002)  
 \*\*SEE CHART A\*\*  
 2 = FEMALE  
 SOLDER CUP (PANEL MOUNT)  
 1 = GOLD FLASH  
 RoHS COMPLIANT  
 NICKEL/CHROME PLATED SHELL



CHARACTERISSTICS

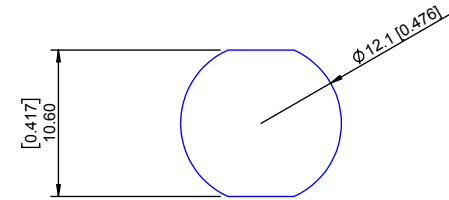
MATERIALS

SHELL : BRASS  
 SHELL PLATING : NICKEL  
 NUT : BRASS  
 NUT PLATING : NICKEL  
 LATCH SLEEVE : BRASS  
 LATCH SLEEVE PLATING : NICKEL  
 CONTACTS : COPPER ALLOY  
 CONTACT PLATING : 7µ" GOLD PLATED OVER 196µ" NICKEL MIN.  
 INSULATOR : PPS (HIGH TEMPERATURE)

MECHANICAL

DURABILITY: 5000 CYCLES  
 OPERATING TEMP. RANGE: -40° C ~ +200° C  
 PROCESS TEMPERATURE : 260°C FOR 5 SECONDS  
 MAX. TORQUE VALUE : 4.5 Nm [39 IN/lbs]  
 SHIELDING: 75dB @ 10MHZ  
 40dB @ 1GHZ

IP RATING: 50



PANEL CUTOUT  
 TOLERANCE = +0.10, -0.0  
 [+0.004, -0.00]

CHART A

● = KEY LOCATION

\*\*VIEW FROM TERMINATION END\*\*

2 POSITION 20 AWG MAX. 15 AMP MAX. PIN Ø = 1.30 [0.051]	3 POSITION 20 AWG MAX. 12 AMP MAX. PIN Ø = 1.30 [0.051]	4 POSITION 22 AWG MAX. 10 AMP MAX. PIN Ø = 0.90 [0.035]	5 POSITION 22 AWG MAX. 9 AMP MAX. PIN Ø = 0.90 [0.035]	6 POSITION 24 AWG MAX. 7 AMP MAX. PIN Ø = 0.70 [0.028]	7 POSITION 24 AWG MAX. 7 AMP MAX. PIN Ø = 0.70 [0.028]	8 POSITION 24 AWG MAX. 5 AMP MAX. PIN Ø = 0.70 [0.028]	10 POSITION 28 AWG MAX. 2.5 AMP MAX. PIN Ø = 0.50 [0.020]	14 POSITION 28 AWG MAX. 2 AMP MAX. PIN Ø = 0.50 [0.020]
CONTACT RESISTANCE = 5 mΩ TEST VOLTAGE = 1500V WORKING VOLTAGE = 500V	CONTACT RESISTANCE = 5 mΩ TEST VOLTAGE = 1300V WORKING VOLTAGE = 430V	CONTACT RESISTANCE = 6 mΩ TEST VOLTAGE = 1300V WORKING VOLTAGE = 430V	CONTACT RESISTANCE = 6 mΩ TEST VOLTAGE = 1250V WORKING VOLTAGE = 415V	CONTACT RESISTANCE = 7.5 mΩ TEST VOLTAGE = 1050V WORKING VOLTAGE = 350V	CONTACT RESISTANCE = 7.5 mΩ TEST VOLTAGE = 950V WORKING VOLTAGE = 315V	CONTACT RESISTANCE = 7.5 mΩ TEST VOLTAGE = 950V WORKING VOLTAGE = 315V	CONTACT RESISTANCE = 10 mΩ TEST VOLTAGE = 900V WORKING VOLTAGE = 300V	CONTACT RESISTANCE = 10 mΩ TEST VOLTAGE = 800V WORKING VOLTAGE = 260V

RoHS COMPLIANT

	THESE DRAWINGS AND SPECIFICATIONS ARE THE PROPERTY OF NorComp AND SHALL NOT BE REPRODUCED, COPIED OR USED AS THE BASIS FOR THE MANUFACTURE OR SALE OF APPARATUS WITHOUT WRITTEN PERMISSION.	NorComp	DRAWN: M. SIGMON	DATE: 02-05-16	SCALE: N.T.S.	SHEET 1 OF 1	REV: 2
			CHECKED:	DATE:		DWG NO. 821BYYY-203R001	