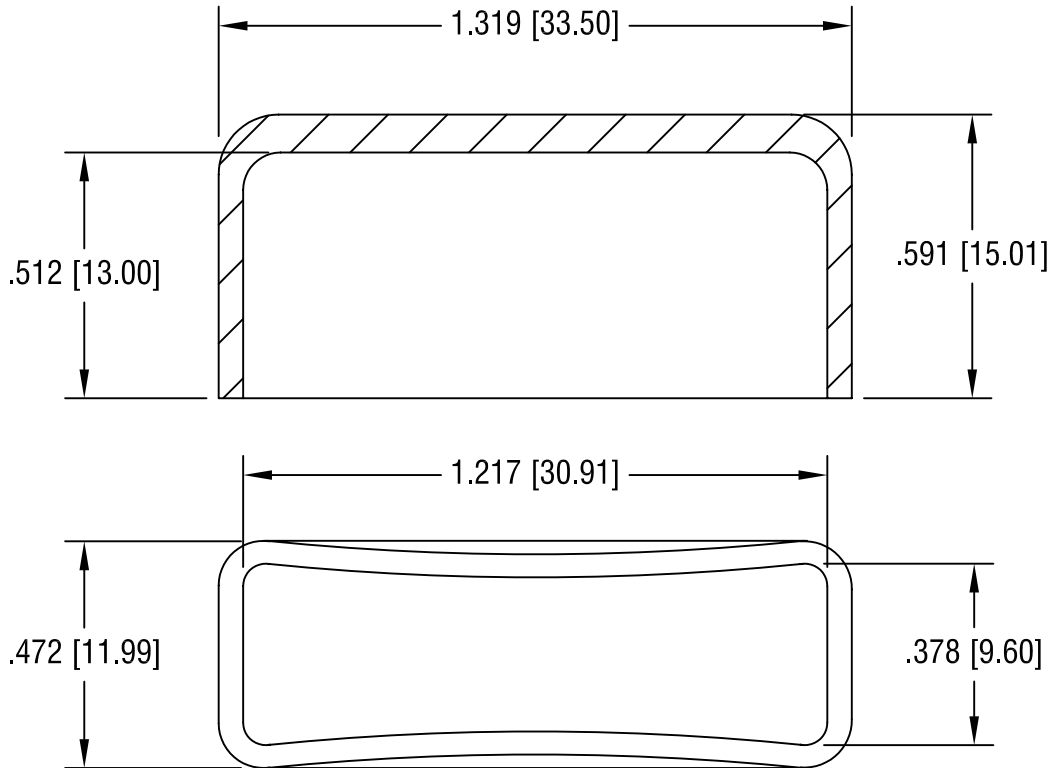


THIS DOCUMENT IS THE PROPERTY OF
KEYSTONE ELECTRONICS CORP. AND
SHALL NOT BE REPRODUCED, DISTRIBUTED
OR USED AS A BASIS FOR MANUFACTURE
WITHOUT PRIOR WRITTEN PERMISSION
FROM KEYSTONE ELECTRONICS CORP.



KEYSTONE ELECTRONICS CORP.

ASTORIA, N.Y. 11105-2017

PART NAME

3AG FUSE HOLDER COVER

MATERIAL

PVC UL 94V-0

FINISH

-

DRN BY

BOONE

DATE

4.23.98

APPD

LN

SCALE

2.5X

TOLERANCES

INCH [MM]

DECIMAL $\pm .032$ [± 0.81]

ANGULAR $\pm 1^\circ$

UNLESS OTHERWISE SPECIFIED

CODE

C/M

DWG NO.

4245C

2.18.04 CHANGE AS PER ECN 04-014

A

DATE

DESCRIPTION

REV.