

High Power International Transformers



Greater Performance in Less Space and Weight



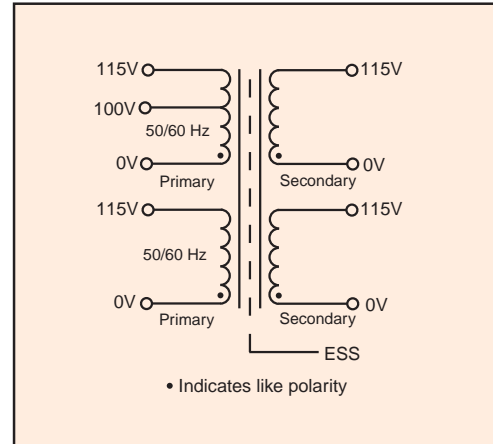
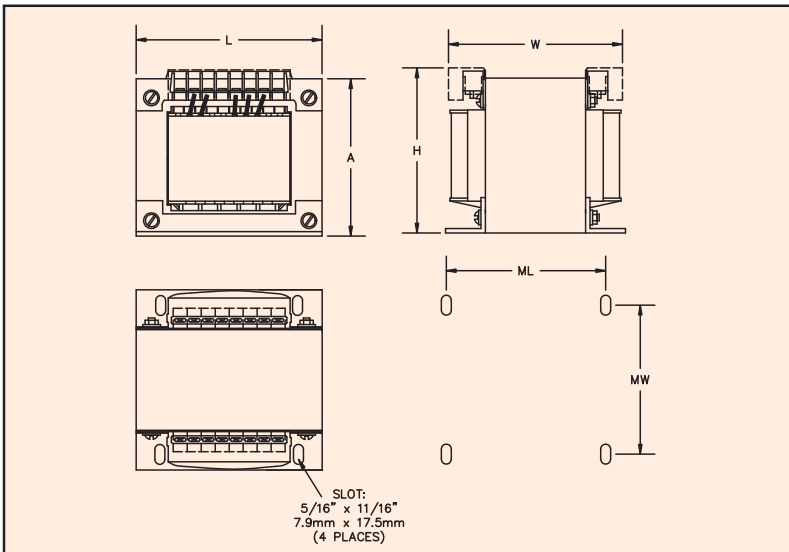
Constructed on a concentric platform, Signal's HPI series provides reinforced insulation while maintaining superior volumetric efficiency.

General Specifications

- Power - 1250, 1500, 1750, 2000, 2750 and 3500 VA ratings
- Dielectric Strength - 4.0Kv
- Available Input Voltage - 100V, 115V, 215V, 230V, 50/60Hz
- Output Voltage - 115/230V
- Touch-Safe terminals (IP20 type) offer a screw/binding clamp for hard wiring and a 3/16" & 1/4" Fast-On connection.
- Leakage Current @ <50 micro Amps
- Insulation System - UL Recognized Class H (180° C)
- Flammability Rating - UL 94-V0

Agency Certifications

- UL recognized to UL 506 / UL 5085-2, File # E63829, meets UL60601-1 construction
- CSA certified to C22.2 #66.1, File # 221070
- UL Insulation Systems 1446, E66312
- IEC / EN Standards IEC / EN 61558, VDE 0550, License # 2994
- TUV Rheinland Certified IEC / EN 60950, License # R9373110.2
- CE Compliance VDE Declaration of Conformity 73/23/EEC



| Part Number | Mechanical Dimensions | | | | | | |
|-------------|-----------------------|--------------|--------------|--------------|--------------|--------------|---------------|
| | L | W | H | A | ML | MW | Weight |
| | Inches (mm) | | | | | | lbs (kg) |
| HPI-12* | 7.06 (179.3) | 5.1 (129.6) | 6.10 (154.9) | 6.03 (153.2) | 5.50 (139.7) | 3.69 (93.7) | 31.0 (14.07) |
| HPI-15* | 7.06 (179.3) | 5.5 (139.7) | 6.10 (154.9) | 6.03 (153.2) | 5.50 (139.7) | 4.03 (103.0) | 35.75 (16.23) |
| HPI-17* | 7.06 (179.3) | 5.89 (149.7) | 6.10 (154.9) | 6.03 (153.2) | 5.50 (139.7) | 4.48 (113.3) | 38.50 (17.50) |
| HPI-20 | 7.50 (190.5) | 5.26 (133.7) | 6.56 (166.5) | 6.25 (158.8) | 5.75 (146.1) | 4.35 (110.5) | 40.1 (18.16) |
| HPI-27 | 7.50 (190.5) | 5.89 (149.7) | 6.56 (166.5) | 6.25 (158.8) | 5.75 (146.1) | 4.98 (126.5) | 48.0 (21.77) |
| HPI-35 | 7.50 (190.5) | 6.99 (177.6) | 6.56 (166.5) | 6.25 (158.8) | 5.75 (146.1) | 6.08 (154.4) | 62.4 (28.30) |

| Part Number | VA | Secondary RMS Rating | |
|-------------|------|----------------------|--------------|
| | Size | Series | Parallel |
| HPI-12* | 1250 | 230V @ 5.4A | 115V @ 10.9A |
| HPI-15* | 1500 | 230V @ 6.5A | 115V @ 13.0A |
| HPI-17* | 1750 | 230V @ 7.6A | 115V @ 15.2A |
| HPI-20 | 2000 | 230V @ 8.7A | 115V @ 17.4A |
| HPI-27 | 2750 | 230V @ 12.0A | 115V @ 24.0A |
| HPI-35 | 3500 | 230V @ 15.2A | 115V @ 30.4A |

* All models have UL, CSA, TUV and VDE agency approvals except those marked with * which have TUV instead of VDE.

Custom versions available upon request.

©2015 Signal Transformer Inc. Specifications subject to change without notice. 07.15



500 Bayview Avenue, Inwood, NY 11096
 Toll Free 866-239-5777 • Tel 516-239-5777 • Fax 516-239-7208
 sales@signaltransformer.com • techhelp@signaltransformer.com