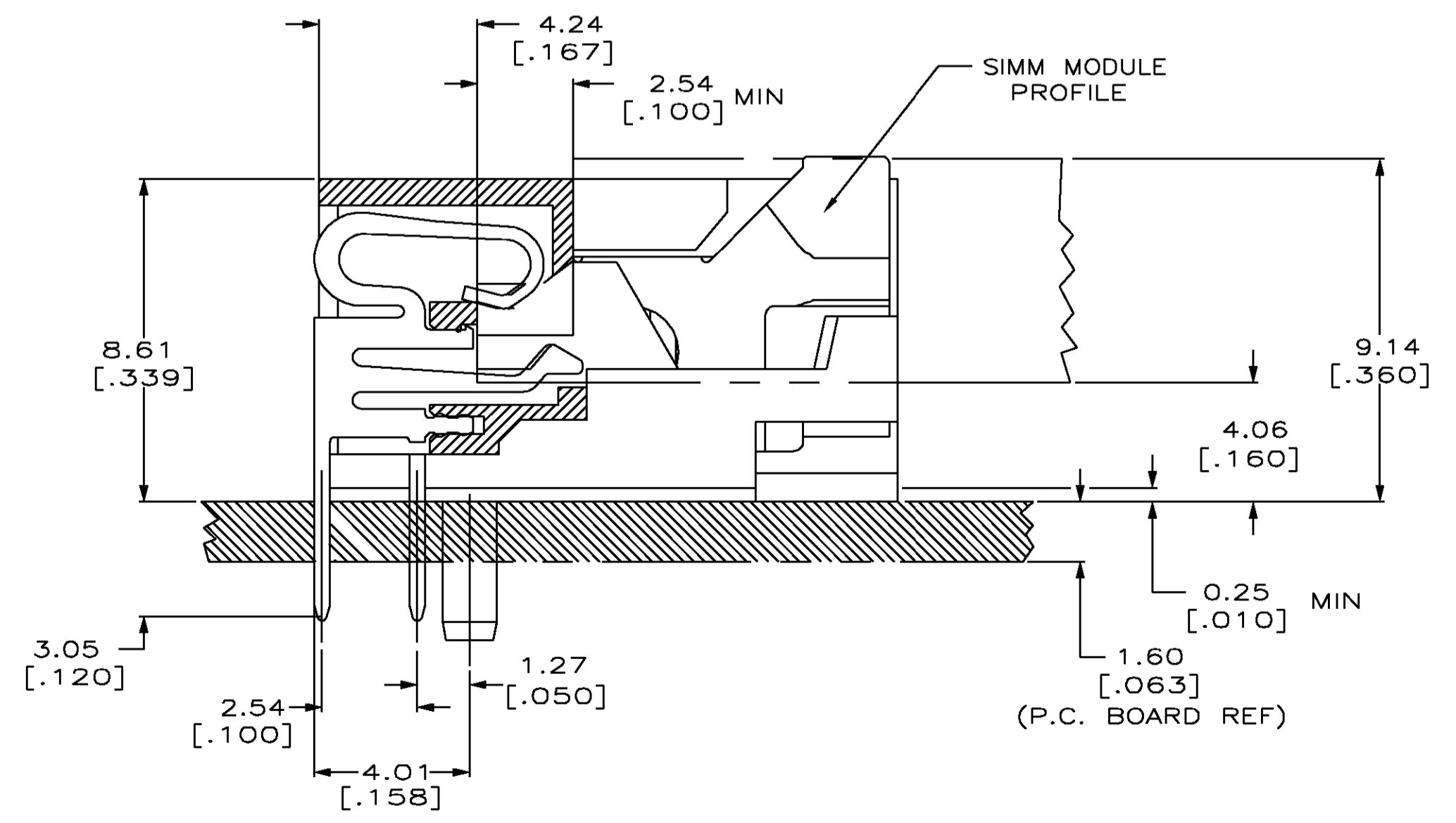
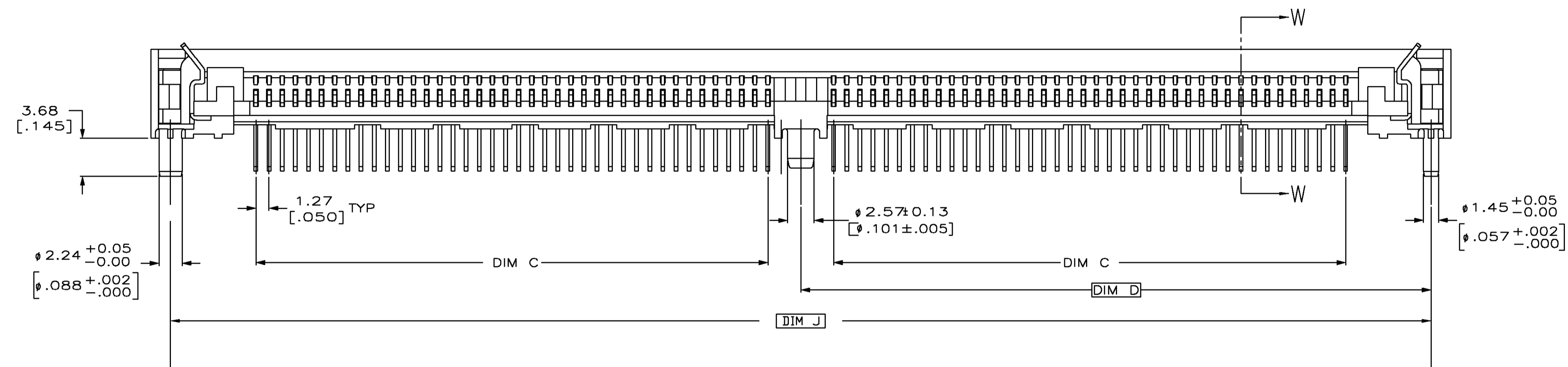
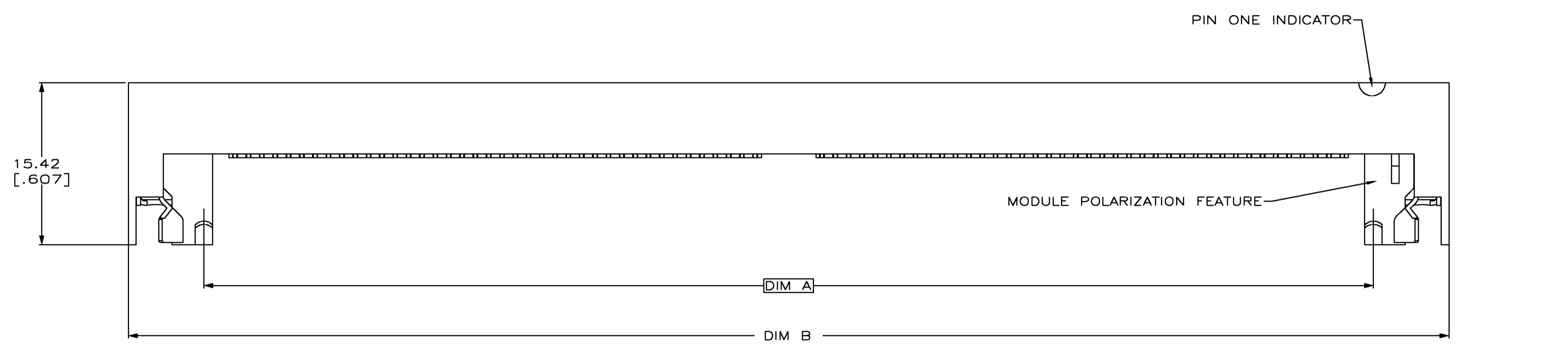


THIS DRAWING IS UNPUBLISHED.  
 RELEASED FOR PUBLICATION  
 COPYRIGHT BY TYCO ELECTRONICS CORPORATION. ALL RIGHTS RESERVED.

LOC		DIST		REVISIONS			
#	REV	DESCRIPTION	DATE	BY	APPD		
F		PER REV EC 051D-0134-00	27FEB01	MM	JR		



SECTION W-W  
 SCALE 8:1

THIS DRAWING IS A CONTROLLED DOCUMENT.		DRW R. TALLEY	7-27-90	AMP Tyco Electronics Corporation mt. Joy, pa 17552	
DIMENSIONS: INCHES		TOLERANCES UNLESS OTHERWISE SPECIFIED:	APVD	NAME	
0 PLC	±			PRODUCT SPEC	
1 PLC	±			APPLICATION SPEC	
2 PLC	±			RESTRICTED TO	
3 PLC	±			SIZE CAGE CODE DRAWING NO	
4 PLC	±			WEIGHT	
ANGLES	±			SCALE 4:1 SHEET 1 OF 2 REV F	
MATERIAL H58C63 REINF	FINISH			CUSTOMER DRAWING	

