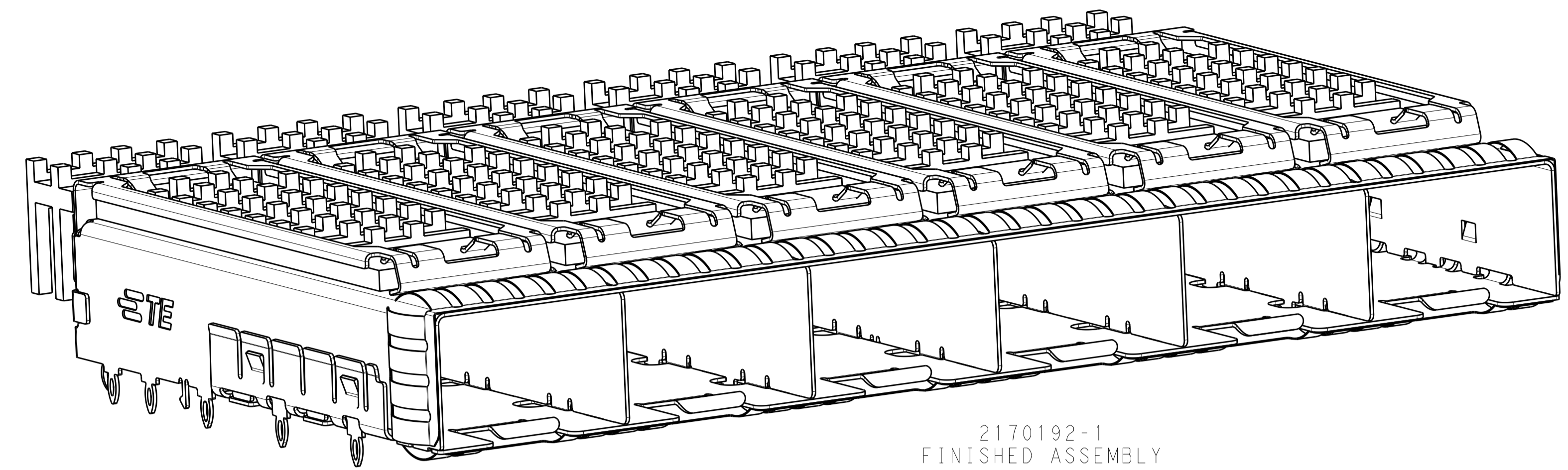
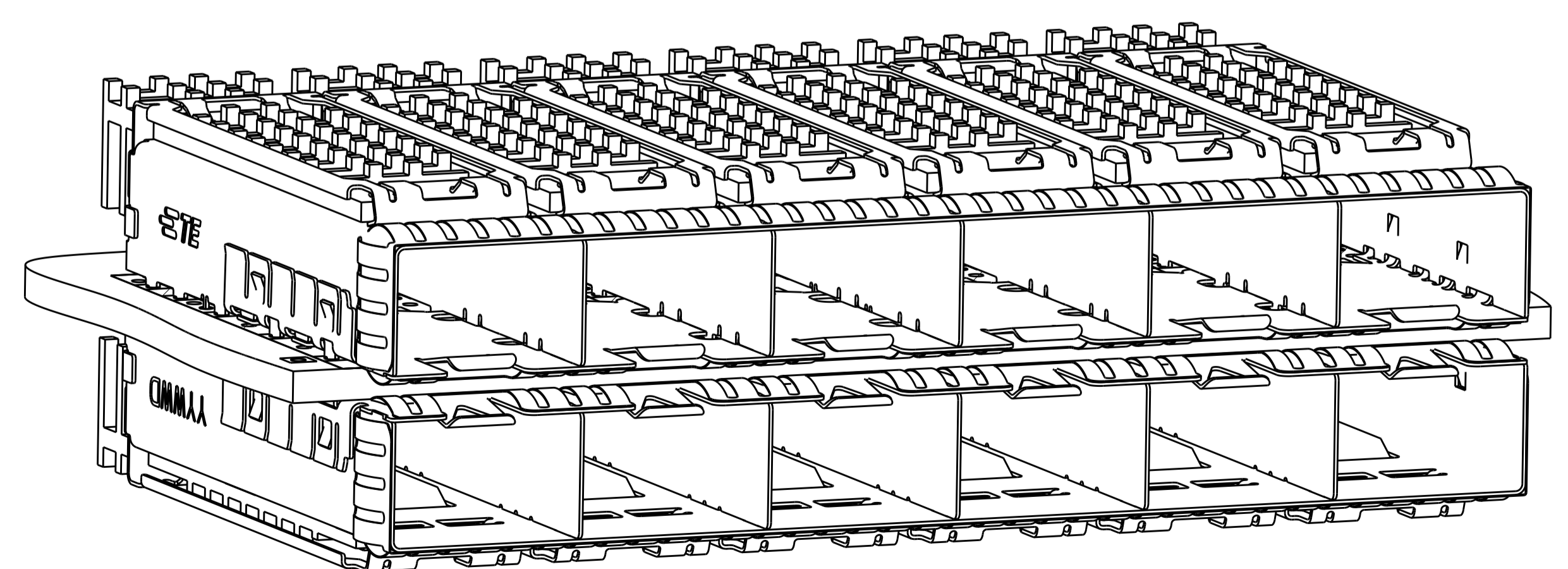
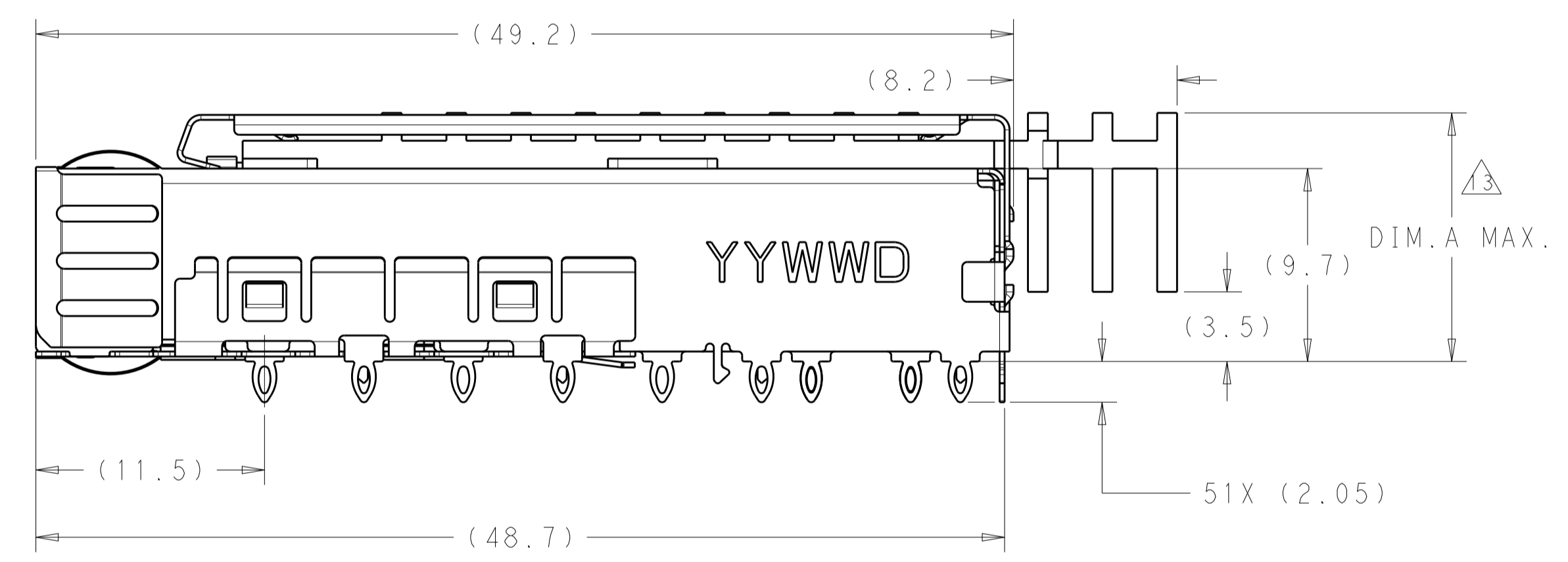
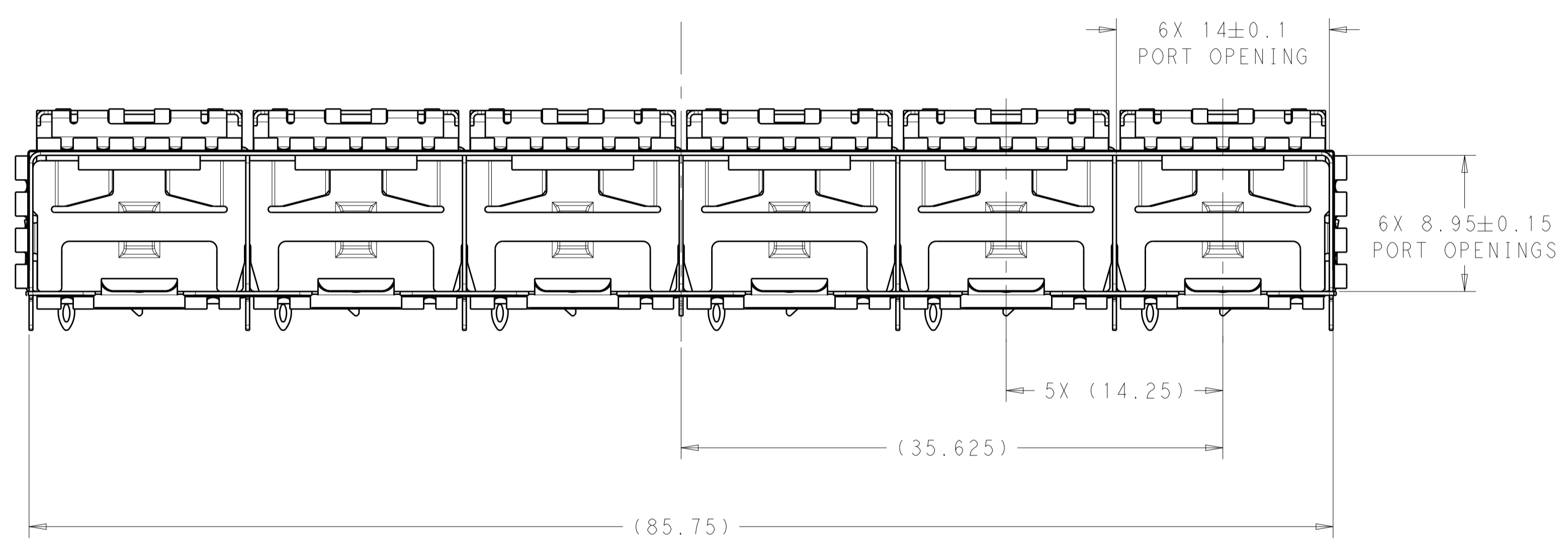


LOC	DIST	REVISIONS					
GP	00	P	LTN	DESCRIPTION	DATE	DWN	APVD
		A		INITIAL RELEASE	10AUG2015	JW	SH



2170192-1
 FINISHED ASSEMBLY
 SCALE 4:1

- 1 MATERIAL:
 CAGE ASSEMBLY: 0.25mm THICK NICKEL SILVER ALLOY.
 HEATSINK CLIP: STAINLESS STEEL
 HEATSINK: ALUMINUM
- 2 FINISH:
 SPRINGS: MINIMUM OF 0.8um TIN PLATE OVER A MINIMUM OF 0.8um NICKEL UNDERPLATE. NON-PLATED EDGES PERMISSIBLE.
 HEATSINK CLIP: PASSIVATE
 2170192-1/-2 HEATSINK: HARD ANODIC COATING
 2170192-3 HEATSINK: BLACK ANODIZE
- 3. MATES WITH SFP MSA COMPLIANT TRANSCEIVERS.
- 4 PADS AND VIAS CHASSIS GROUND.
- 5. INTERPRETATION OF DATUM REFERENCE FRAME IN ACCORDANCE WITH SECT 4.4.1.1 OF ASME Y14.5M-1994.
- 6 MINIMUM PCB BOARD THICKNESS:
 SINGLE SIDED = 1.50
 DOUBLE SIDED = 2.25
- 7 HOLE PATTERN REPEATS FOR EACH PORT. SPACING BETWEEN PORTS IS 14.25mm.
- 8 DATUM AND BASIC DIMENSION ESTABLISHED BY CUSTOMER.
- 9 REFERENCE APPLICATION SPEC. 114-13120, HOLE A, FOR RECOMMENDED DRILL HOLE DIAMETER AND PLATING THICKNESS.
- 10 REFERENCE APPLICATION SPEC. 114-13120, HOLE B, FOR RECOMMENDED DRILL HOLE DIAMETER AND PLATING THICKNESS.
- 11. CERTAIN MATING TRANSCEIVERS MAY REQUIRE ADDITIONAL PCB THICKNESS THAT WOULD BE DETERMINED BY THE CUSTOMER.
- 12. PRODUCT COMPLIES WITH SPECIFICATION SFF-8433 IMPROVED PLUGGABLE FORM FACTOR FOR SFP+ GANGED CAGES.
- 13 DIMENSION APPLIES PRIOR TO INSERTION OF SFP MODULE



2170192-1
 MOUNTED BELLY TO BELLY ON PCB
 SCALE 3:1

PRELIMINARY

DESCRIPTION	SIZE	CAGE CODE	DRAWING NO	RESTRICTED TO
HEAT SINK W/ THE FIRST ROW PIN	13.10 MAX.(WORKING)			
HEAT SINK W/ THE FIRST ROW PIN	20.2 MAX			
HEAT SINK W/O THE FIRST ROW PIN	13 MAX			
HEAT SINK	A			

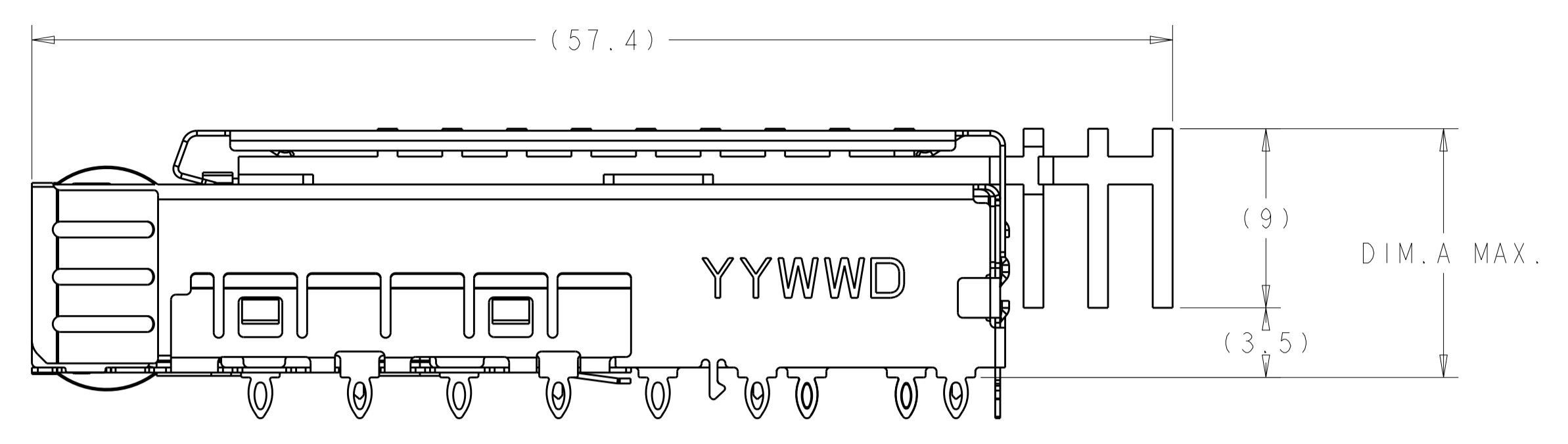
THIS DRAWING IS A CONTROLLED DOCUMENT.

DIMENSIONS:	TOLERANCES UNLESS OTHERWISE SPECIFIED:	DWN: TIM XUE 22NOV2011	TE Connectivity NAME: SFP+ ENHANCED 1X6 CAGE ASSEMBLY, PRESS FIT, EXTERNAL EMI SPRINGS WITH HEATSINK PRODUCT SPEC: 108-2364 APPLICATION SPEC: 114-13120 WEIGHT: - Customer Drawing
mm	0 PLC ±0.25 1 PLC ±0.20 2 PLC ±0.15 3 PLC ±0.1 4 PLC ±0.1 ANGLES ±1*	CHK: ALEX CAI 22NOV2011	
		APVD: ALEX CAI 22NOV2011	
MATERIAL	FINISH	SIZE: A1	SCALE: 4:1

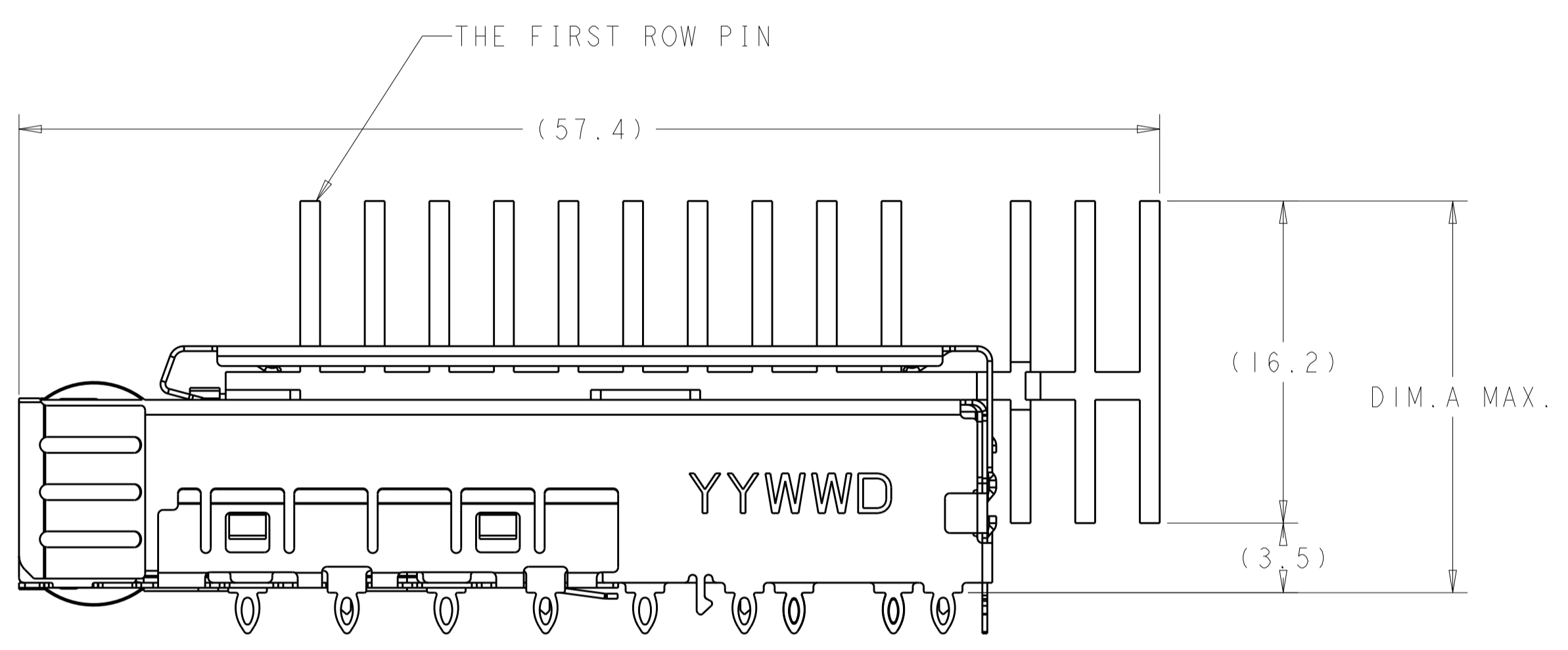
Customer Drawing

LOC	DIST	REV	DATE	BY	APPV
GP	00				

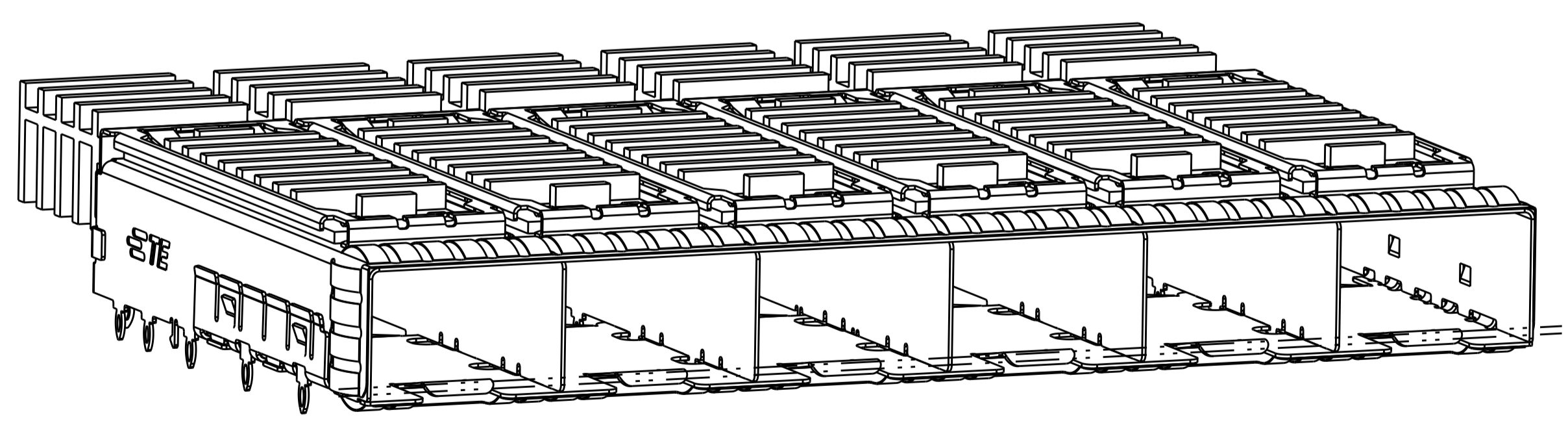
REVISIONS			
NO.	DESCRIPTION	DATE	BY
-	SEE SHEET 1	-	-



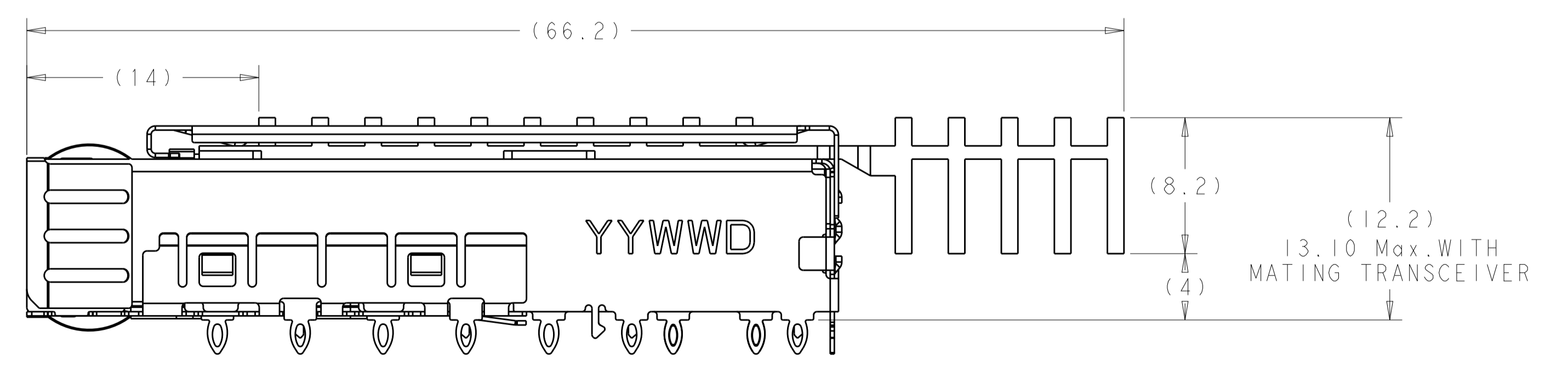
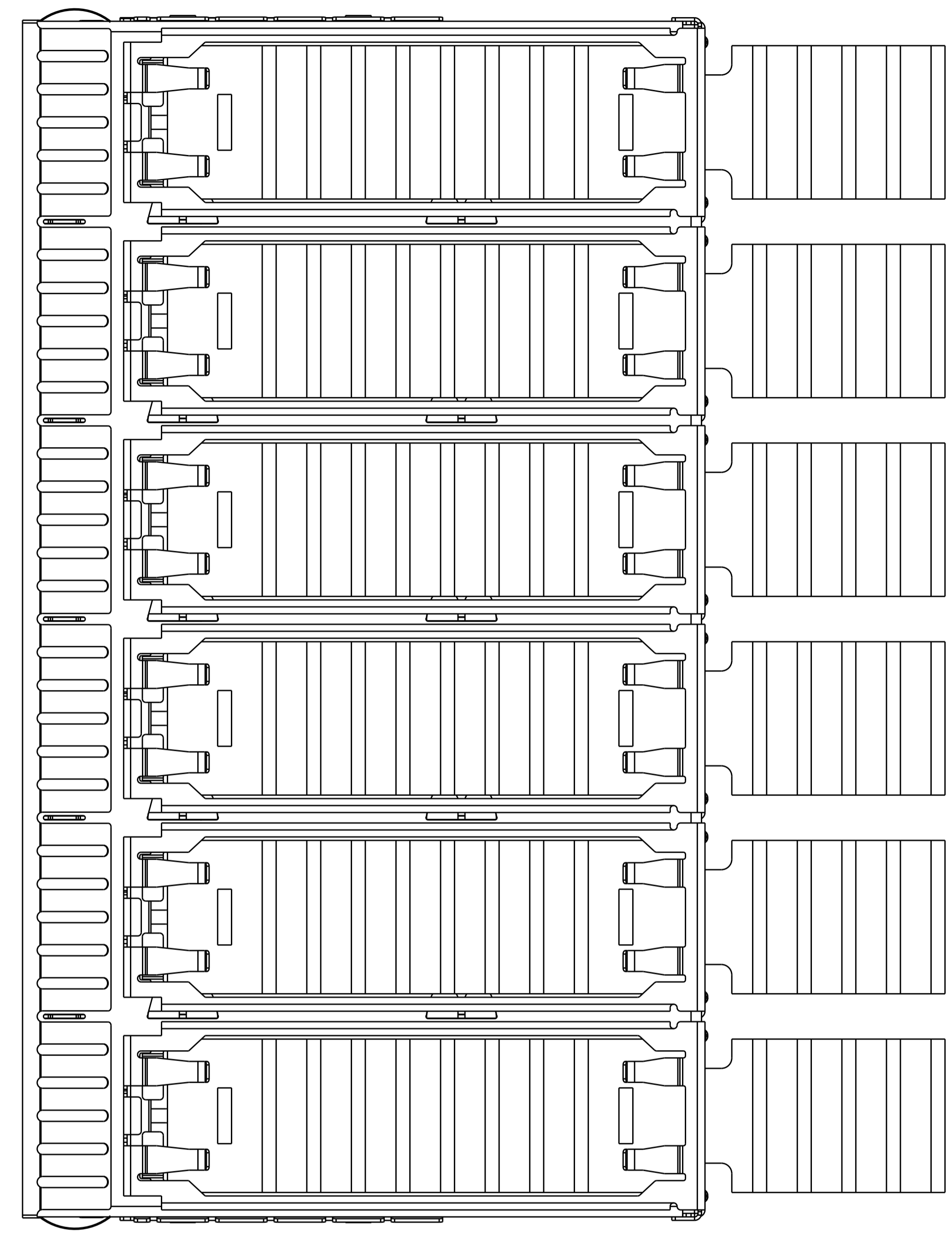
2170192-1 AS SHOWN
HEAT SINK W/O THE FIRST ROW PIN



2170192-2 AS SHOWN



2170192-3 AS SHOWN

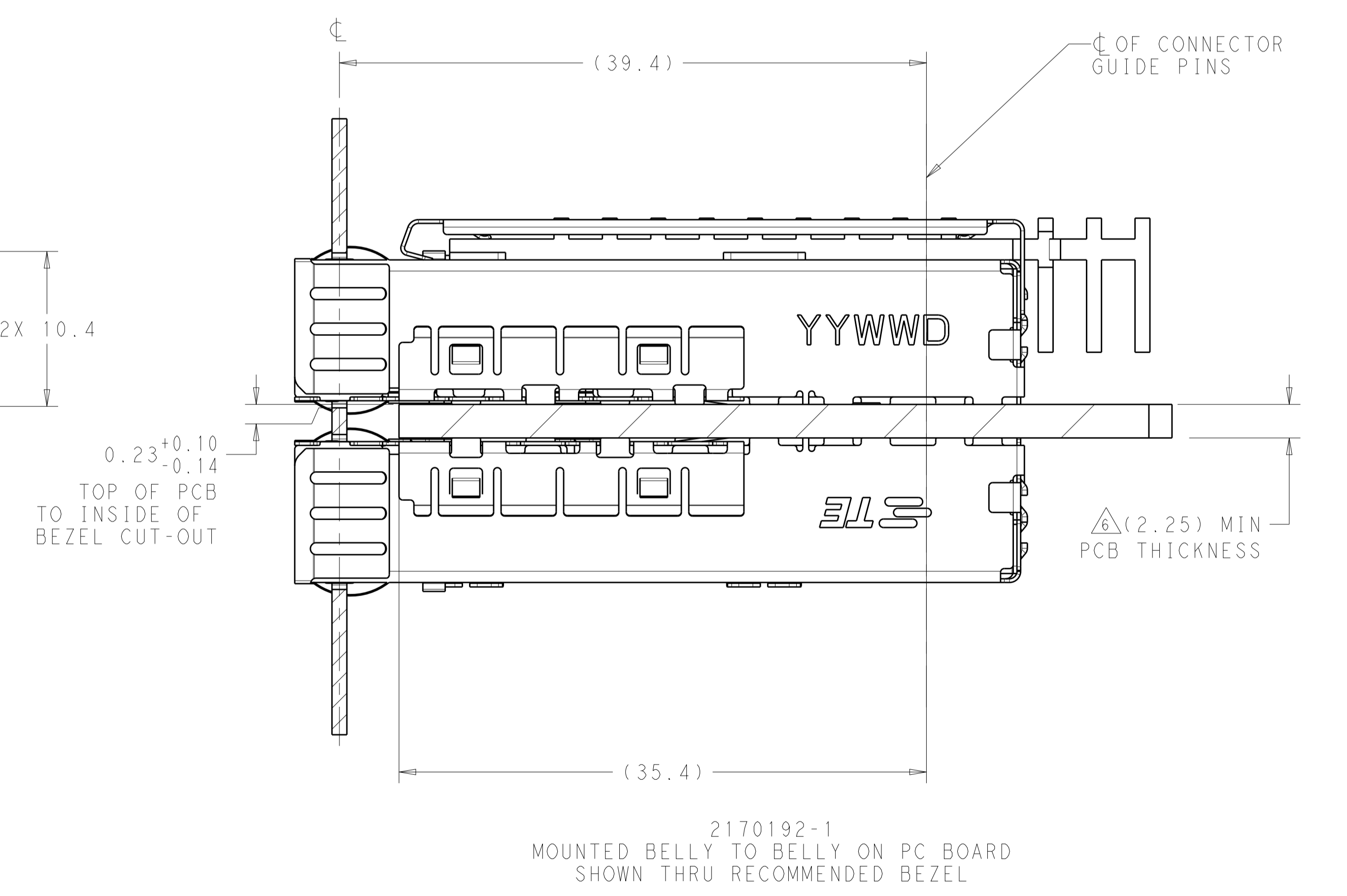
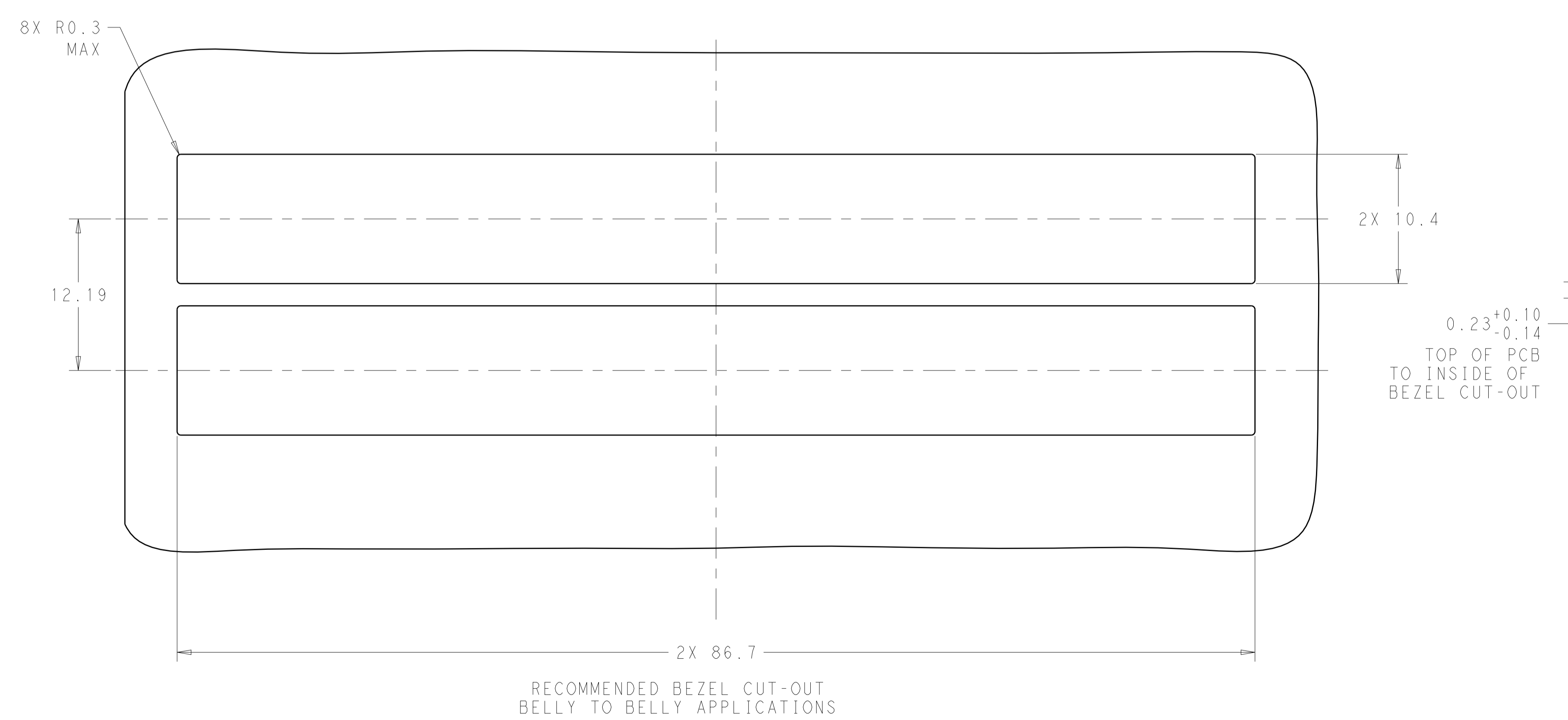
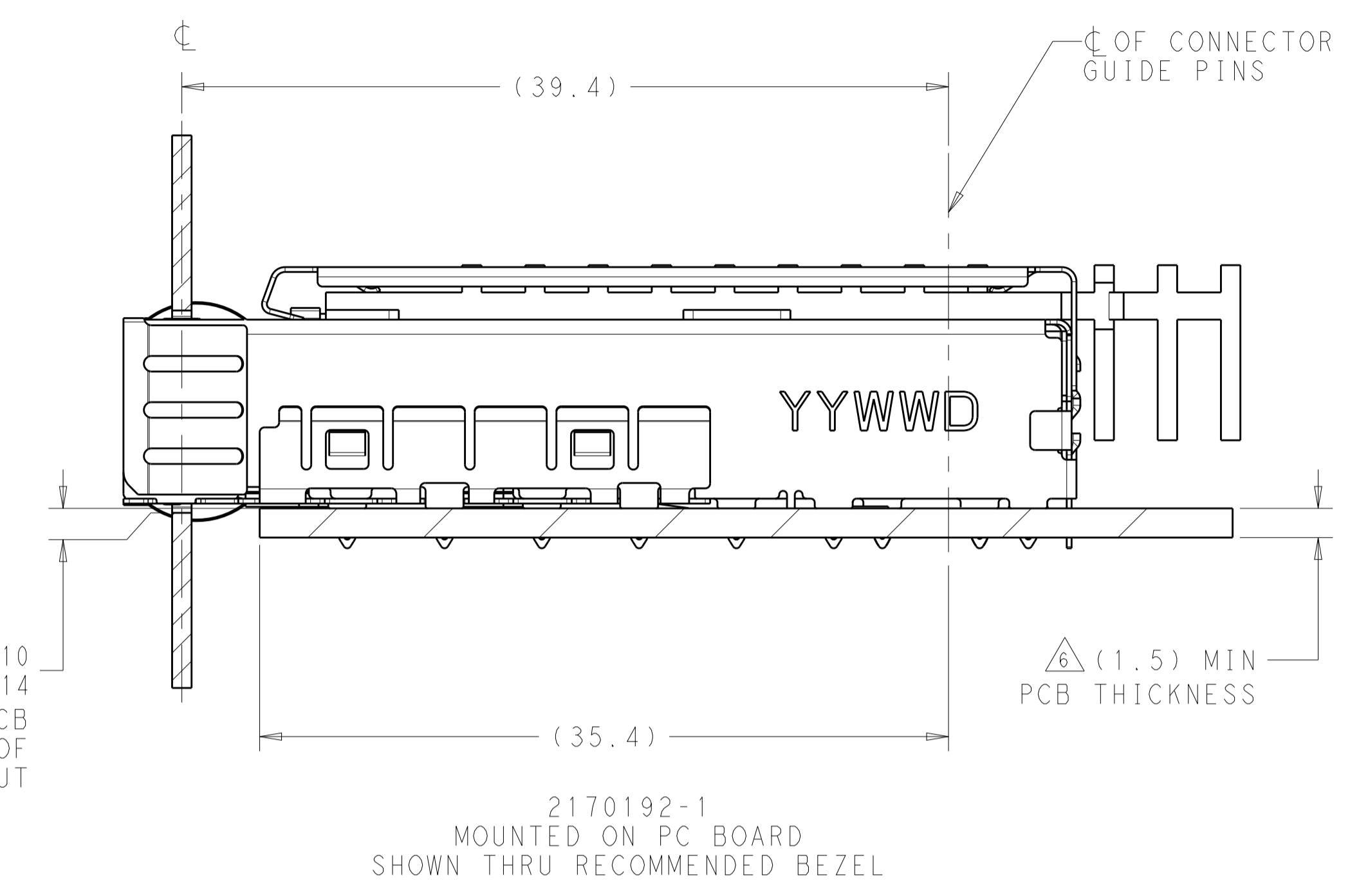
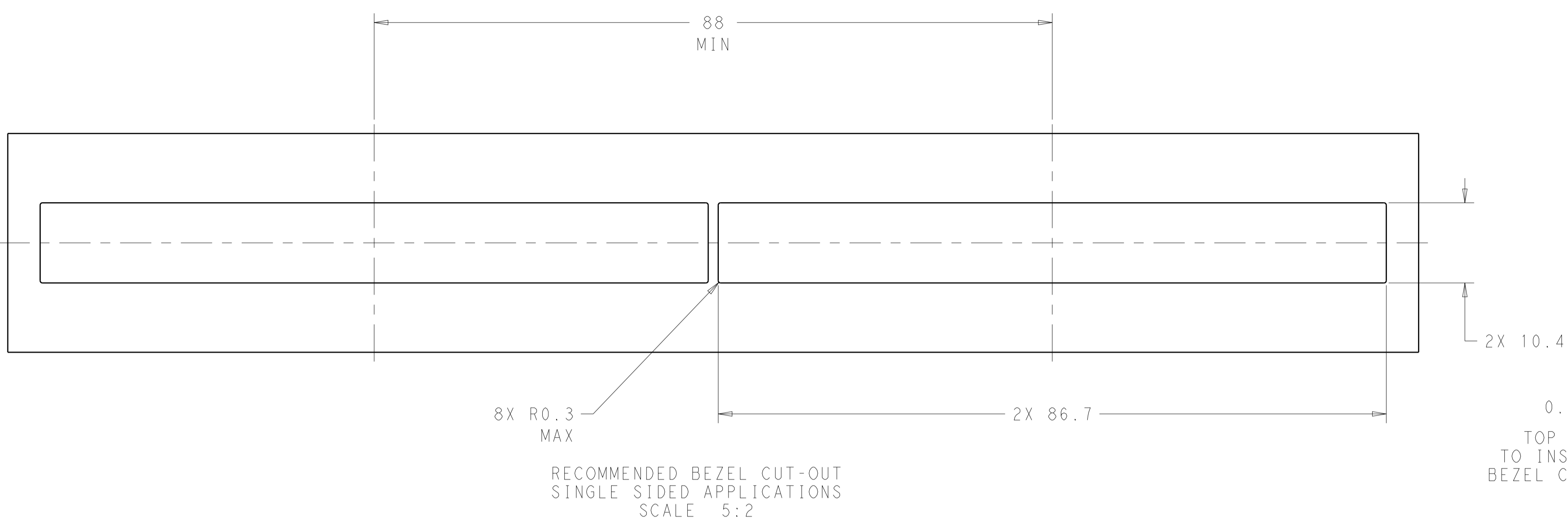


2170192-3 AS SHOWN

THIS DRAWING IS A CONTROLLED DOCUMENT.		OWN: TIM XUE 22NOV2011	STE TE Connectivity
DIMENSIONS: mm		CHK: ALEX CAI 22NOV2011	
TOLERANCES UNLESS OTHERWISE SPECIFIED:		APVD: ALEX CAI 22NOV2011	NAME: SFP+ ENHANCED 1X6 CAGE ASSEMBLY, PRESS FIT, EXTERNAL EMI SPRINGS WITH HEATSINK
0 PLC ±0.25		PRODUCT SPEC: 108-2364	
1 PLC ±0.20		APPLICATION SPEC: 114-13120	SIZE: A100779C=2170192
2 PLC ±0.15		WEIGHT: -	
3 PLC ±0.1		Customer Drawing	SCALE: 4:1
4 PLC ±0.1			SHEET: 2 OF 5
ANGLES ±0.1			REV: A
FINISH: #1*			

LOC	DIST	REV	DATE	BY	APPV
GP	00				

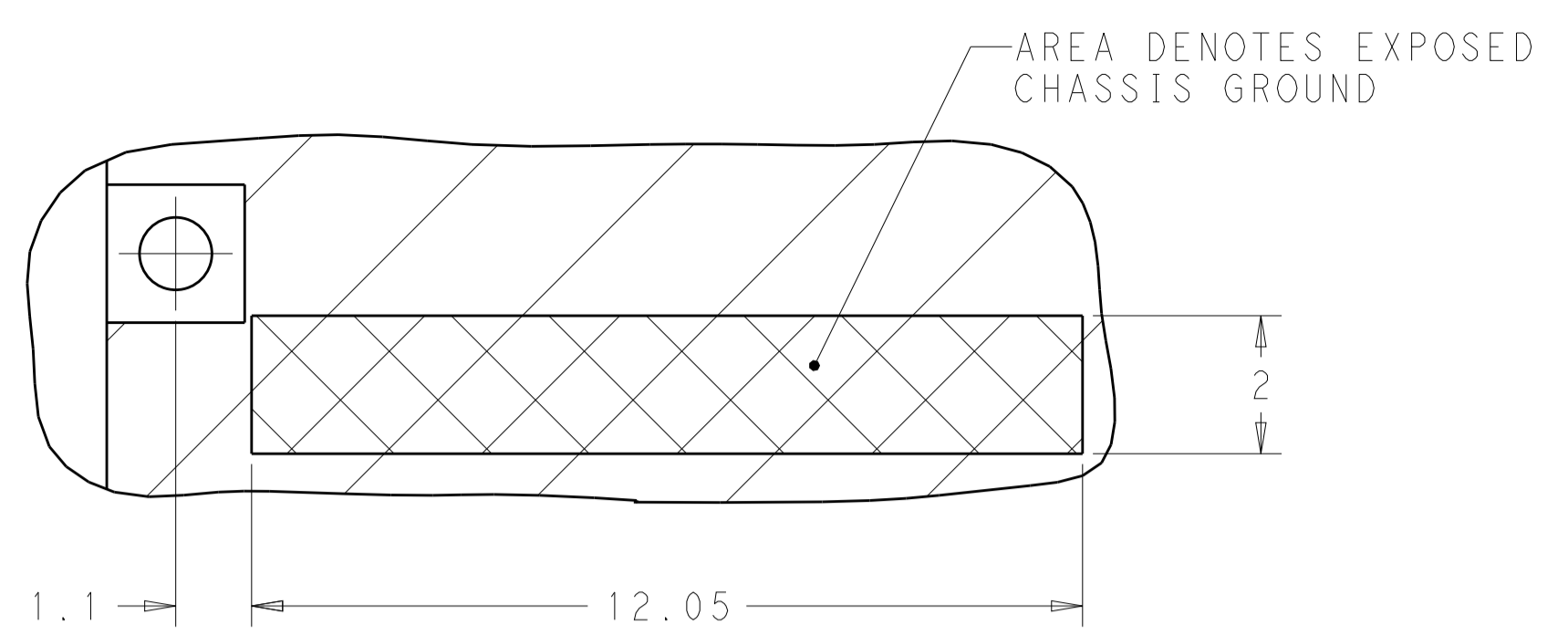
REVISIONS		DATE	BY	APPV
1	SEE SHEET 1			



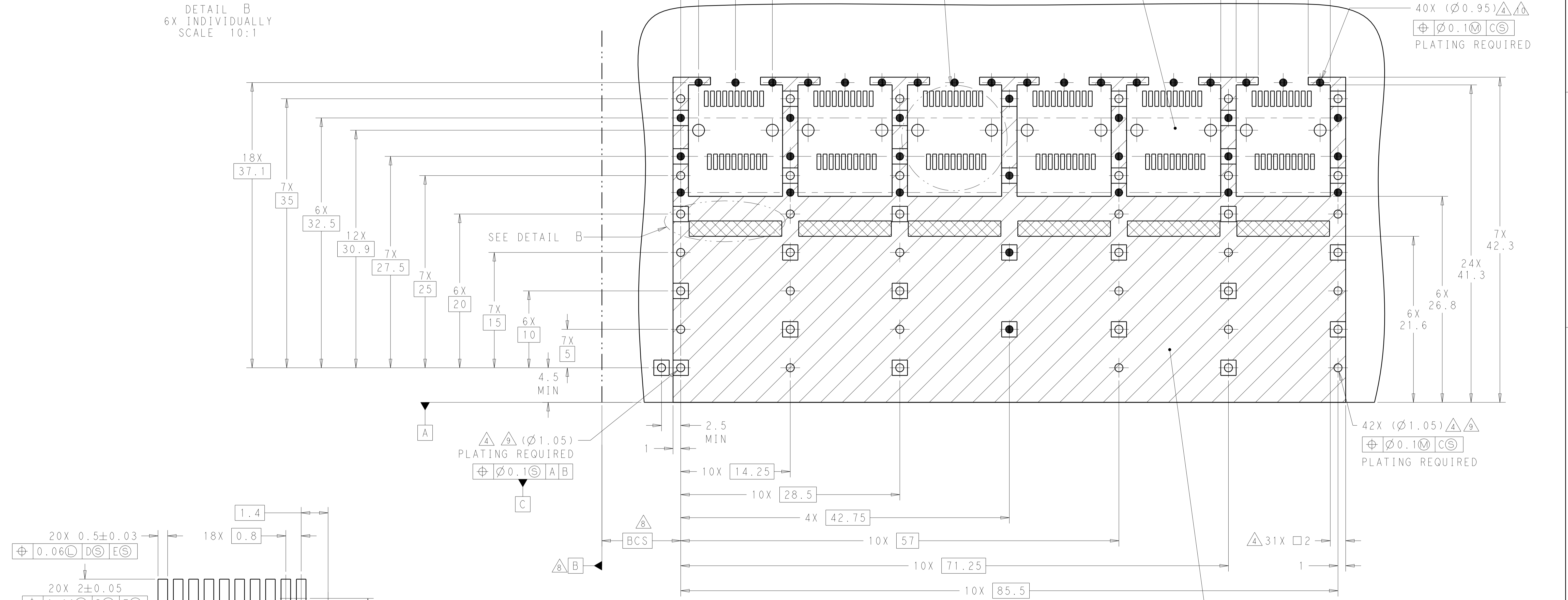
THIS DRAWING IS A CONTROLLED DOCUMENT.		OWN: TIM XUE 22NOV2011	STE TE Connectivity
DIMENSIONS: mm		CHK: ALEX CAI 22NOV2011	
TOLERANCES UNLESS OTHERWISE SPECIFIED:		APVD: ALEX CAI 22NOV2011	NAME: SFP+ ENHANCED 1X6 CAGE ASSEMBLY, PRESS FIT, EXTERNAL EMI SPRINGS WITH HEATSINK
0 PLC ±0.25		PRODUCT SPEC: 108-2364	
1 PLC ±0.20		APPLICATION SPEC: 114-13120	SIZE: A100779C=2170192
2 PLC ±0.15		WEIGHT: -	
3 PLC ±0.1		Customer Drawing	SCALE: 4:1
4 PLC ±0.1			SHEET 3 OF 5
ANGLES ±0.1			REV A
FINISH: #1*			

LOC	DIST	REV	DATE	BY	APPD
GP	00				

REVISIONS			
NO.	DESCRIPTION	DATE	BY
-	SEE SHEET 1	-	-



DETAIL B
6X INDIVIDUALLY
SCALE 10:1



SEE DETAIL Y
THIS AREA DENOTES COMPONENT KEEP-OUT (TRACES ALLOWED)

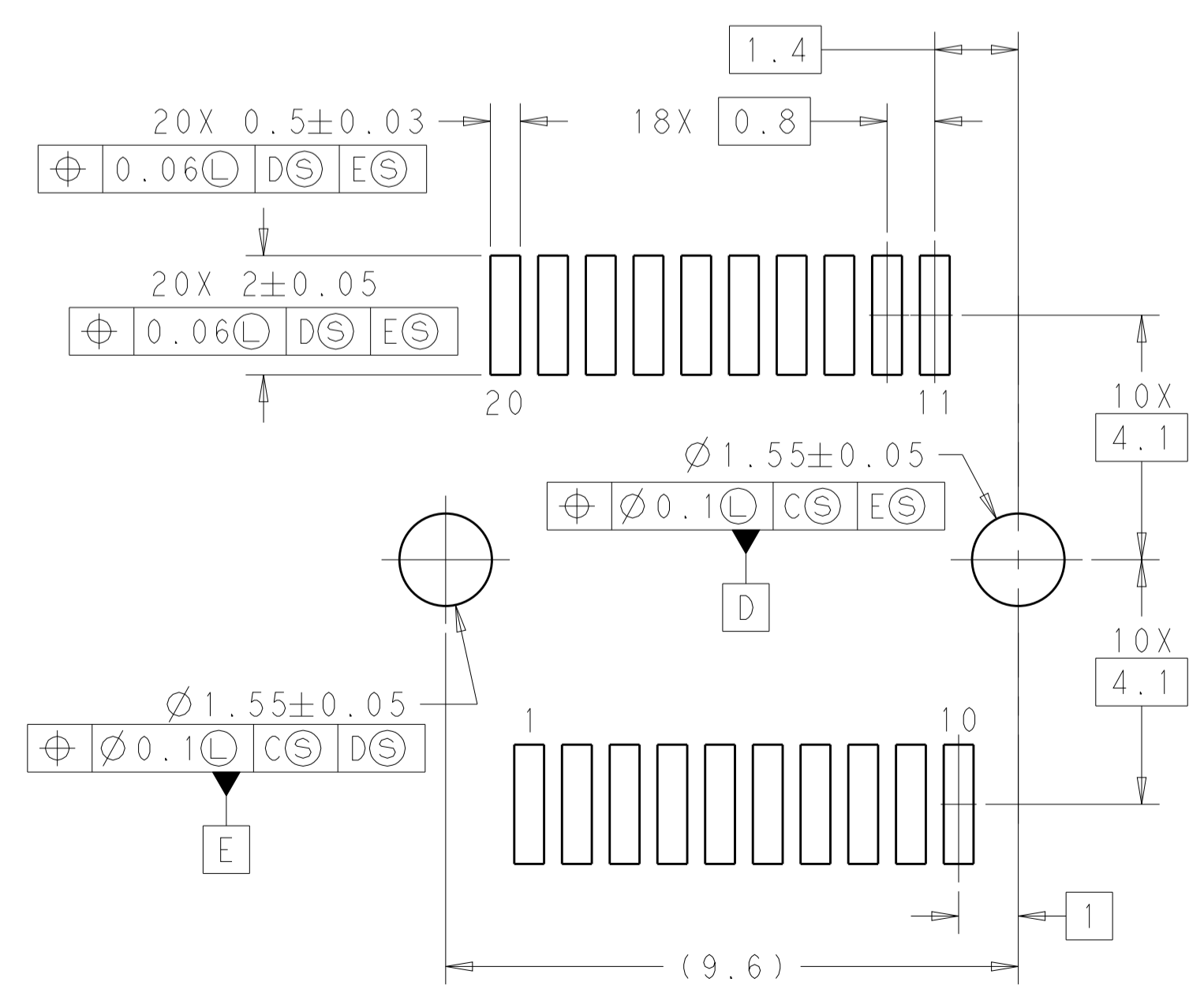
SEE DETAIL B

4 9 (Ø1.05) PLATING REQUIRED
Ø0.1 A B

42X (Ø1.05) PLATING REQUIRED
Ø0.1 C S

RECOMMENDED PCB CONFIGURATION WITH KEEP-OUT AREAS BELLY TO BELLY APPLICATIONS SCALE 4:1

CROSS-HATCHED AREA DENOTES COMPONENT AND TRACE KEEP-OUT (EXCEPT CHASSIS GROUND)



DETAIL Y
RECOMMENDED PT CONNECTOR LAYOUT
12X INDIVIDUALLY
SCALE 10:1

THIS DRAWING IS A CONTROLLED DOCUMENT.		OWN: TIM XUE 22NOV2011	TE Connectivity
DIMENSIONS: mm		CHK: ALEX CAI 22NOV2011	
TOLERANCES UNLESS OTHERWISE SPECIFIED:		APVD: ALEX CAI 22NOV2011	NAME: SFP+ ENHANCED 1X6 CAGE ASSEMBLY, PRESS FIT, EXTERNAL EMI SPRINGS WITH HEATSINK PRODUCT SPEC: 108-2364 APPLICATION SPEC: 114-13120
0 PLC ±0.25 1 PLC ±0.20 2 PLC ±0.15 3 PLC ±0.1 4 PLC ±0.1 ANGLES ±1°		SIZE: 114-13120 WEIGHT: - Customer Drawing	
MATERIAL:		FINISH:	SCALE: 4:1 SHEET 5 OF 5 REV A