

SPECIFICATIONS
MAKE-BEFORE-BREAK

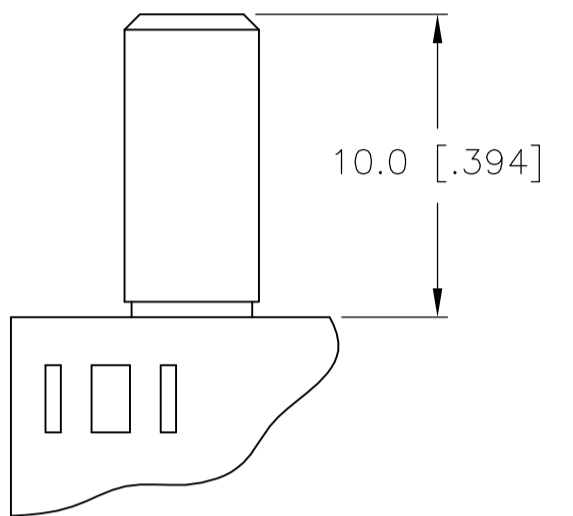
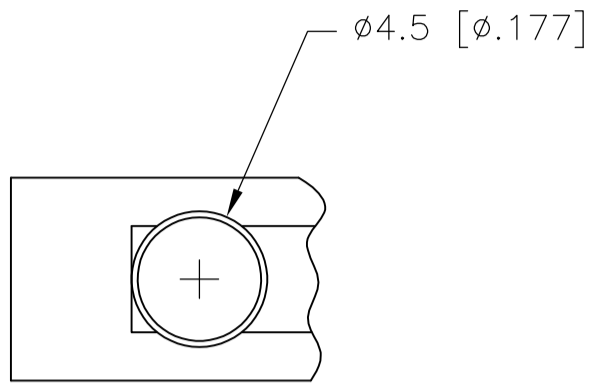
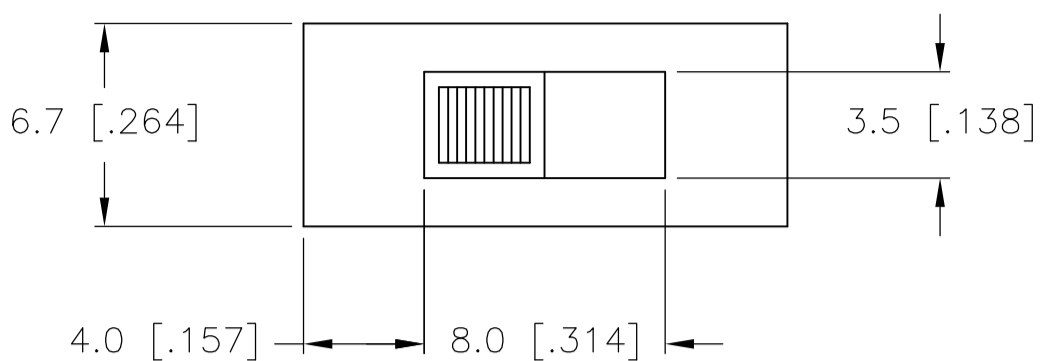
MATERIALS:
 ACTUATOR- THERMOPLASTIC, UL94HB
 TERMINAL BOARD- PHENOLIC LAMINATED SHEET, UL94HB, NATURAL
 FRAME- STEEL, NICKEL PLATE
 TERMINAL/FIXED CONTACT- COPPER ALLOY, GOLD OR SILVER OVER NICKEL PLATE
 MOVING CONTACT- COPPER ALLOY, GOLD OR SILVER OVER NICKEL PLATE
 DETENT BALL- STEEL
 COIL SPRING- GALVANIZED SPRING WIRE
 LEVER,(K SERIES ONLY)- ALUMINUM
 SEAL- EPOXY

ELECTRICAL:
 CONTACT RATING- .4VA@20VDC OR PEAK AC (GOLD); 300mA@125V AC (SILVER)
 INITIAL CONTACT RESISTANCE- 30 milliohm max.
 FINAL CONTACT RESISTANCE- 100 milliohm max. (AFTER TEST)
 INSULTAION RESISTANCE- 1,000 Megohms min.
 DIELECTRIC STRENGTH- 500V RMS@SEA LEVEL
 LIFE EXPECTANCY- 15,000 CYCLES MIN.

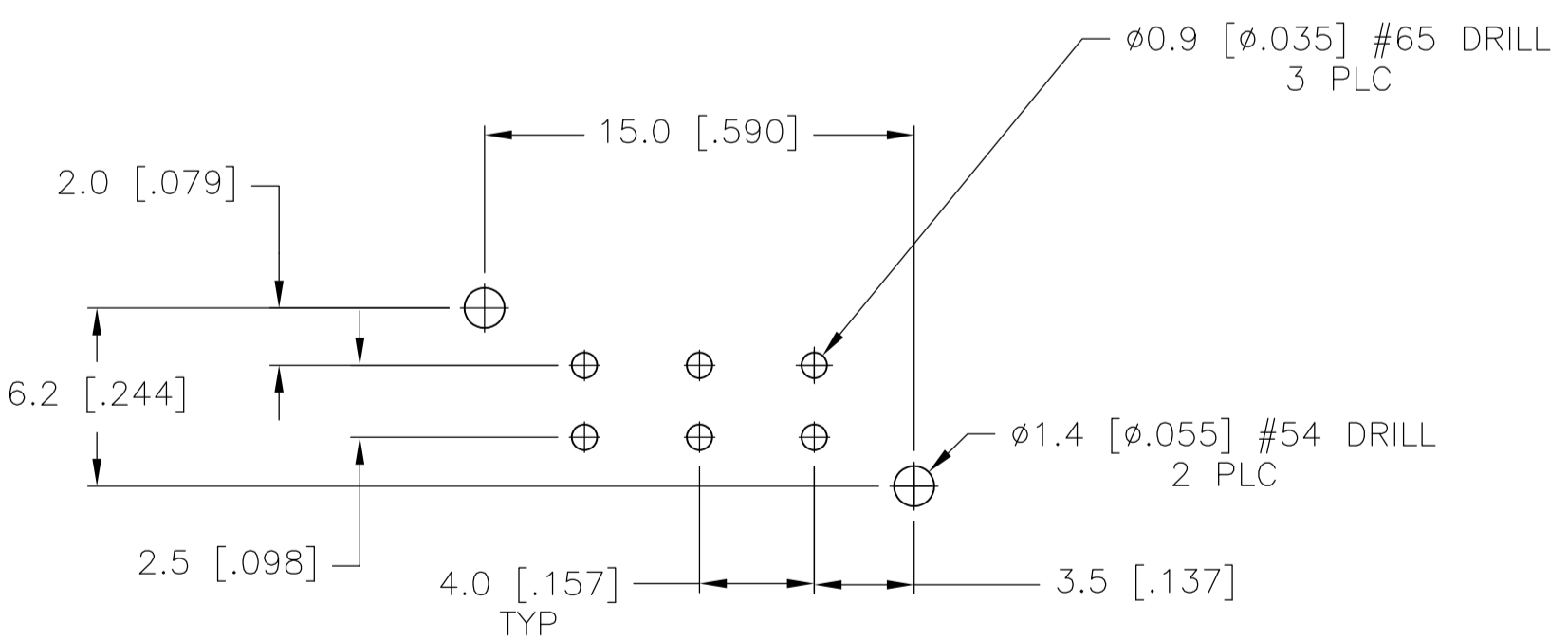
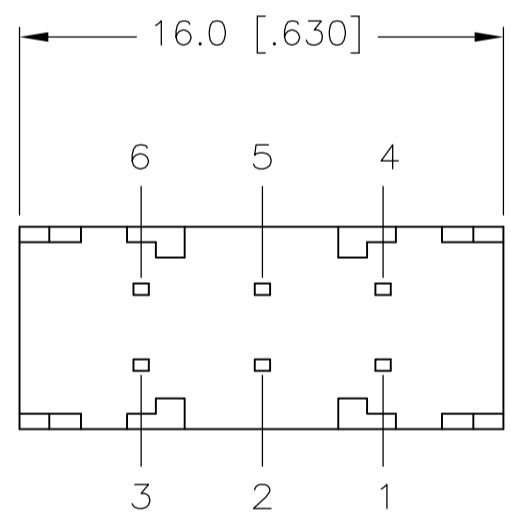
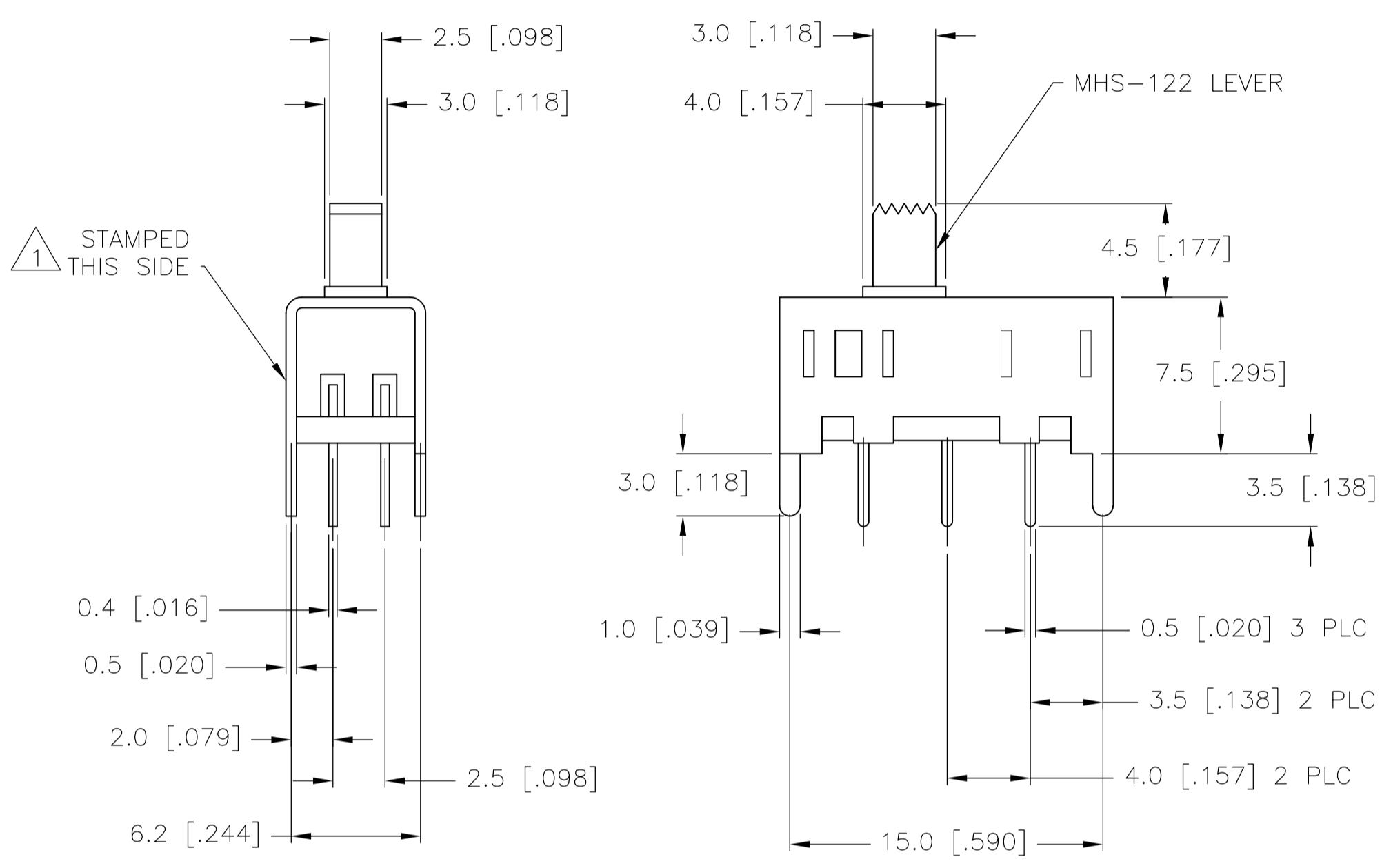
MECHANICAL:
 ACTUATION FORCE- 600+/-300 GRAMS
 TRAVEL- SEE P/N TABLE

ENVIRONMENTAL:
 OPERATING TEMPERATURE- -20 TO +85 DEGREES C
 STORAGE TEMPERATURE- -40 TO +100 DEGREES C
 RESISTANCE TO SOLDER HEAT PER 109-202, CONDITION B
 SOLDERABILITY PER EIA-364-52, CLASS 2, CATEGORY 1, 95% MIN COVERAGE

- NOTES:**
- 1 COUNTRY OF ORIGIN AND TE CONNECTIVITY LOGO LOCATED APPROXIMATELY AS SHOWN
 - 2 ALL MATERIALS AND FINISHES SHALL COMPLY WITH EU DIRECTIVE 2002/95/EC OF 27JAN2003 (ROHS)
 - 3 ANTI SOLDER WICK SEAL AT TERMINAL TO BOARD INTERFACE
 - 4 ALL PERFORMANCE TESTING WAS DONE IN ACCORDANCE TO TE CONNECTIVITY SPECIFICATION 102-2469
 - 5 **OBSOLETE PARTS: OBSOLETE CIS STREAMLINING PER D.RENAUD/D.SINISI**



MHS222K & MHS223K LEVER



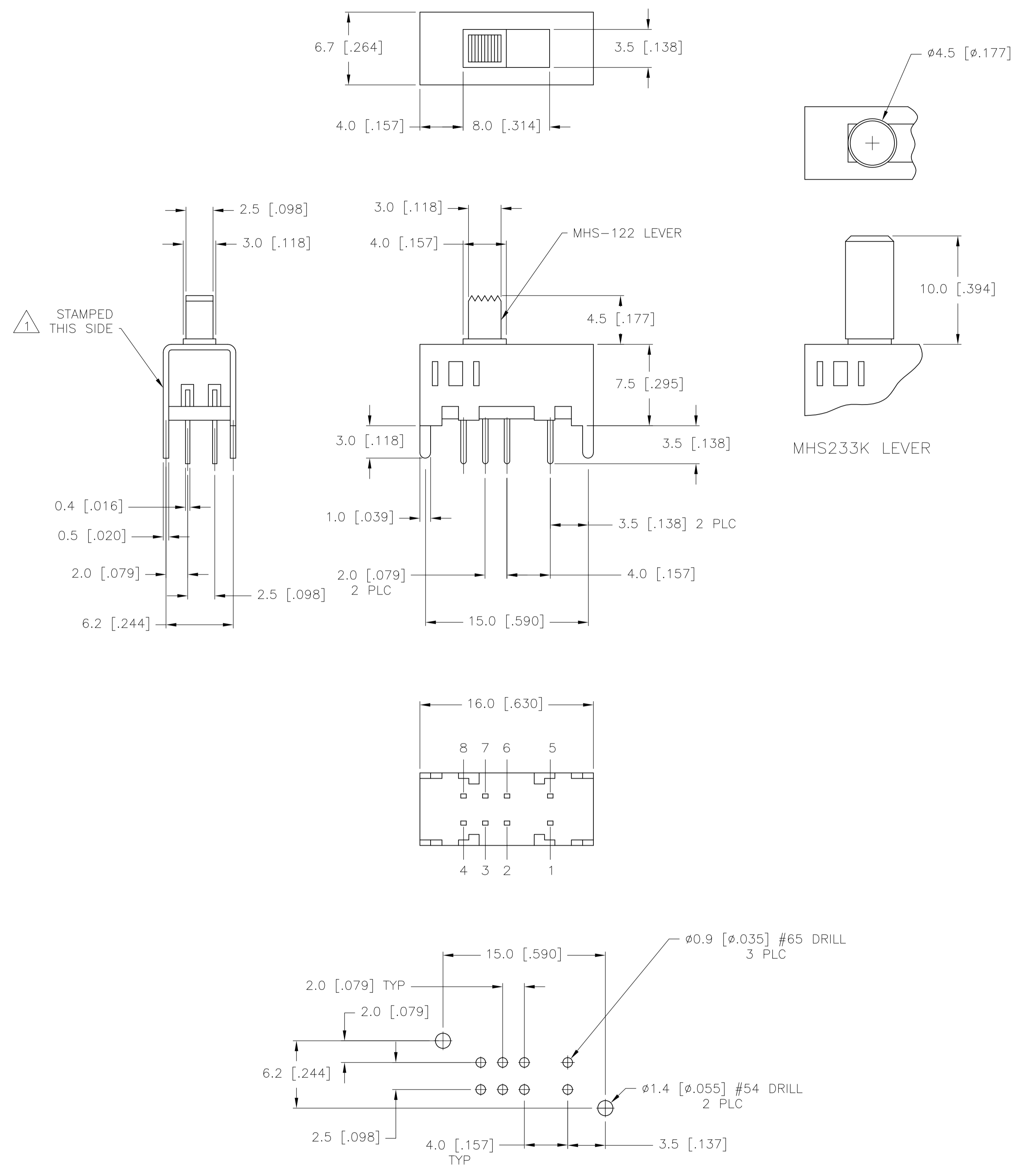
RECOMMENDED BOARD LAYOUT
PC LAYOUT TOLERANCE: ±.002

MHS222 & MHS223 SERIES SWITCH

OBSOLETE	1-1825289-4	MHS233KG04	DP3T	2.00	GOLD	-	6-5 2-1	-	7-6 3-2	-	8-6 4-2
	1-1825289-0	MHS233K04	DP3T	2.00	SILVER	-	6-5 2-1	-	7-6 3-2	-	8-6 4-2
	1825289-9	MHS233G04	DP3T	2.00	GOLD	-	6-5 2-1	-	7-6 3-2	-	8-6 4-2
	1825289-8	MHS23304	DP3T	2.00	SILVER	-	6-5 2-1	-	7-6 3-2	-	8-6 4-2
	-	MHS223KG04	DPDT	2.00	GOLD	5-4 2-1	-	OFF	-	6-5 3-2	-
	1825289-7	MHS223K04	DPDT	2.00	SILVER	5-4 2-1	-	OFF	-	6-5 3-2	-
	1825289-6	MHS223G04	DPDT	2.00	GOLD	5-4 2-1	-	OFF	-	6-5 3-2	-
	1825289-5	MHS22304	DPDT	2.00	SILVER	5-4 2-1	-	OFF	-	6-5 3-2	-
OBSOLETE	1825289-4	MHS222KG04	DPDT	4.00	GOLD	5-4 2-1	-	NONE	-	6-5 3-2	-
	1825289-3	MHS222K04	DPDT	4.00	SILVER	5-4 2-1	-	NONE	-	6-5 3-2	-
	1825289-2	MHS222G04	DPDT	4.00	GOLD	5-4 2-1	-	NONE	-	6-5 3-2	-
	1825289-1	MHS22204	DPDT	4.00	SILVER	5-4 2-1	-	NONE	-	6-5 3-2	-
PART NO.	T&B PART NO.	TYPE	TRAVEL	PLATING	TE	TE	TE	TE	TE	TE	TE
					1 2 3 4 5 6	1 234 5 678	1 2 3 4 5 6	1 234 5 678	1 2 3 4 5 6	1 234 5 678	1 2 3 4 5 6

TERMINALS CONNECTED WHEN SLIDE IS IN POSITION SHOWN.

THIS DRAWING IS A CONTROLLED DOCUMENT.		DIN R BROWN 21DEC05	TE Connectivity	
DIMENSIONS: mm		CHK M SARVER 21DEC05	NAME	
TOLERANCES UNLESS OTHERWISE SPECIFIED:		APVD M SARVER 21DEC05	PRODUCT SPEC	
0 PLC ± -		APPLICATION SPEC		
1 PLC ± 0.3 [0.12]		SIZE		
2 PLC ± -		CAGE CODE		
3 PLC ± -		DRAWING NO		
4 PLC ± -		RESTRICTED TO		
ANGLES ± 1°		WEIGHT		
MATERIAL		A1 00779 1825289		
FINISH		CUSTOMER DRAWING		
		SCALE 4:1 SHEET 1 OF 2 REV B3		



SPECIFICATIONS
MAKE-BEFORE-BREAK

MATERIALS:
 ACTUATOR- THERMOPLASTIC, UL94HB
 TERMINAL BOARD- PHENOLIC LAMINATED SHEET, UL94HB, NATURAL
 FRAME- STEEL, NICKEL PLATE
 TERMINAL/FIXED CONTACT- COPPER ALLOY, GOLD OR SILVER OVER NICKEL PLATE
 MOVING CONTACT- COPPER ALLOY, GOLD OR SILVER OVER NICKEL PLATE
 DETENT BALL- STEEL
 COIL SPRING- GALVANIZED SPRING WIRE
 LEVER,(K SERIES ONLY)- ALUMINUM
 SEAL- EPOXY

ELECTRICAL:
 CONTACT RATING- .4VA@20VDC OR PEAK AC (GOLD); 300mA@125V AC (SILVER)
 INITIAL CONTACT RESISTANCE- 30 milliohm max.
 FINAL CONTACT RESISTANCE- 100 milliohm max. (AFTER TEST)
 INSULTAION RESISTANCE- 1,000 Megohms min.
 DIELECTRIC STRENGTH- 500V RMS@SEA LEVEL
 LIFE EXPECTANCY- 15,000 CYCLES MIN.

MECHANICAL:
 ACTUATION FORCE- 600+/-300 GRAMS
 TRAVEL- SEE P/N TABLE

ENVIRONMENTAL:
 OPERATING TEMPERATURE- -20 TO +85 DEGREES C
 STORAGE TEMPERATURE- -40 TO +100 DEGREES C
 RESISTANCE TO SOLDER HEAT PER 109-202, CONDITION B
 SOLDERABILITY PER EIA-364-52, CLASS 2, CATEGORY 1, 95% MIN COVERAGE

- NOTES:**
1. COUNTRY OF ORIGIN AND TE CONNECTIVITY LOGO PER TEC-202-36 LOCATED APPROXIMATELY AS SHOWN
 2. ALL MATERIALS AND FINISHES SHALL COMPLY WITH EU DIRECTIVE 2002/95/EC OF 27JAN2003 (ROHS)
 3. ANTI SOLDER WICK SEAL AT TERMINAL TO BOARD INTERFACE
 4. ALL PERFORMANCE TESTING WAS DONE IN ACCORDANCE TO TE CONNECTIVITY SPECIFICATION 102-2469

RECOMMENDED BOARD LAYOUT
PC LAYOUT TOLERANCE: ±.002

MHS233 SERIES
SWITCH

THIS DRAWING IS A CONTROLLED DOCUMENT.		DIN R BROWN 21DEC05	TE Connectivity
DIMENSIONS: mm		CHK M SARVER 21DEC05	
TOLERANCES UNLESS OTHERWISE SPECIFIED:		APVD M SARVER 21DEC05	NAME SLIDE SWITCH, MHS SERIES, DOUBLE POLE, VERTICAL
0 PLC ± -	1 PLC ± 0.3 [.012]	PRODUCT SPEC	APPLICATION SPEC
2 PLC ± -	3 PLC ± -	ANGLE	± 1°
4 PLC ± -		MATERIAL	FINISH
MATERIAL		WEIGHT	SIZE A1 00779
FINISH		SCALE	4:1
CUSTOMER DRAWING		SHEET	2 OF 2
		REV	B3