

**Technical specification:**

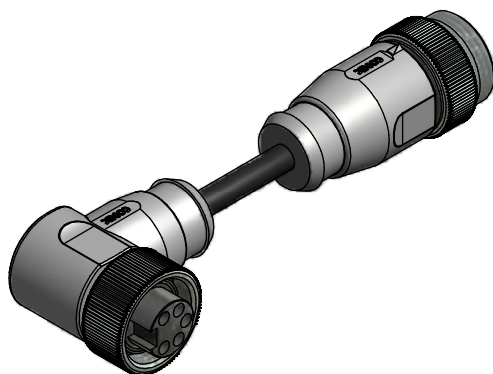
Rated voltage: IEC 60664-1	300 V
Overvoltage category: IEC 60664-1	2
Overvoltage: IEC 60664-1	2,7 kV
Current rating: IEC 60512-3 at 40°C	0,75mm <sup>2</sup> 1,5mm <sup>2</sup> 8 A 10 A
Insulation resistance: IEC 60512	>=100 MΩ
Pollution degree: IEC 60664-1	3/2
Degree of protection: IEC 60529	IP 68, in mated condition
Temperature range: IEC 60664-1	-30°C ... +80°C
Mating cycles: IEC 60512-9a	>=100
Termination:	crimped

**Materials:**

Contact:	CuZn
Contact plating:	Nickel, gold plated
Contact carrier:	TPU, UL 94
Coupling nut/ screw:	CuZn, nickel plated
Moulding body:	TPU, UL 94, grey

**Contact assignment:**

- 1) black
- 2) blue
- PE) green-yellow
- 4) brown
- 5) white



Part no:	Description:	Length L:	Cable:
41-01237	SAL - 7/8 - RKW4PE - RS4PE - 0,6 / K1	0,6m	TPU, UL 20549, black, 5x0,75mm <sup>2</sup> Cable: 781-K17500
41-01238	SAL - 7/8 - RKW4PE - RS4PE - 1 / K1	1m	
41-01239	SAL - 7/8 - RKW4PE - RS4PE - 1,5 / K1	1,5m	
41-01240	SAL - 7/8 - RKW4PE - RS4PE - 2 / K1	2m	
41-xxxxx	SAL - 7/8 - RKW4PE - RS4PE - ... / K1	x	
41-01285	SAL - 7/8 - RKW4PE - RS4PE - 0,6 / K1 / 150	0,6m	TPU, UL 20549, black, 5x1,50mm <sup>2</sup> Cable: 781-K18500
41-01286	SAL - 7/8 - RKW4PE - RS4PE - 1 / K1 / 150	1m	
41-01287	SAL - 7/8 - RKW4PE - RS4PE - 1,5 / K1 / 150	1,5m	
41-01288	SAL - 7/8 - RKW4PE - RS4PE - 2 / K1 / 150	2m	
41-xxxxx	SAL - 7/8 - RKW4PE - RS4PE - ... / K1 / 150	x	

D see data sheet cable

DO NOT ALTER CAD DRAWING BY HAND	Directive 2002/95/EC RoHS compliant	Index: b 14.10.10 KH Ä3736 technical specification changed, part no. cable in table added, neutral line added	dim. in mm	title: <b>Connecting cable 7/8", female connector angled - male connector axial</b>		
		tolerance of cable: L ≤ 4m: L + 40mm L > 4m: L + 1%			date name	
		THIS DRAWING MAY NOT BE COPIED OR REPRODUCED IN ANY WAY, AND MAY NOT BE PASSED ON TO A THIRD PARTY WITHOUT WRITTEN PERMISSION. OWNERSHIP AND COPYRIGHT OF CONEC GmbH	drawn 12.02.08 Franz			dwg no:
			appd. 12.02.08 Mankopf			41K1A366
			part no:	see table		