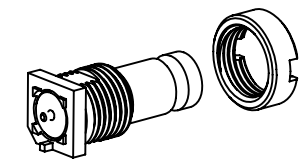
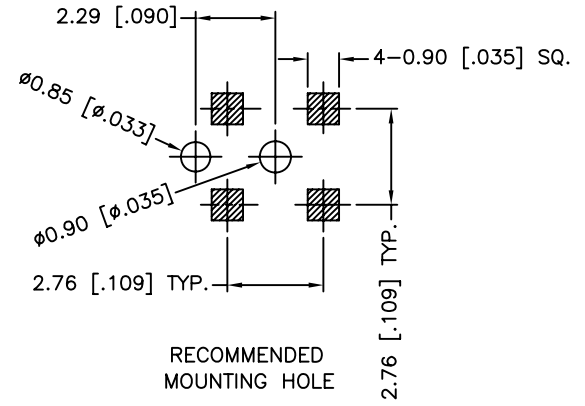
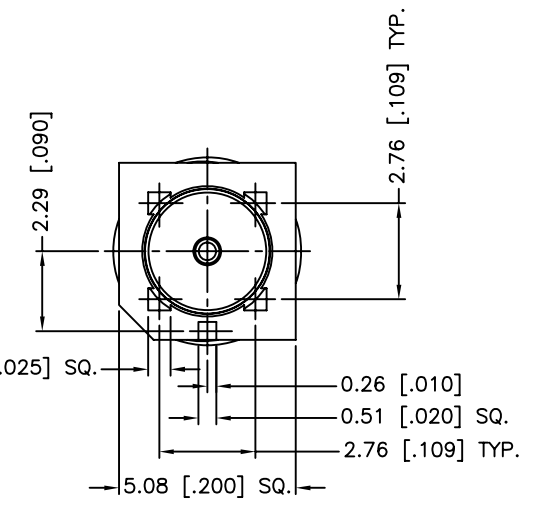
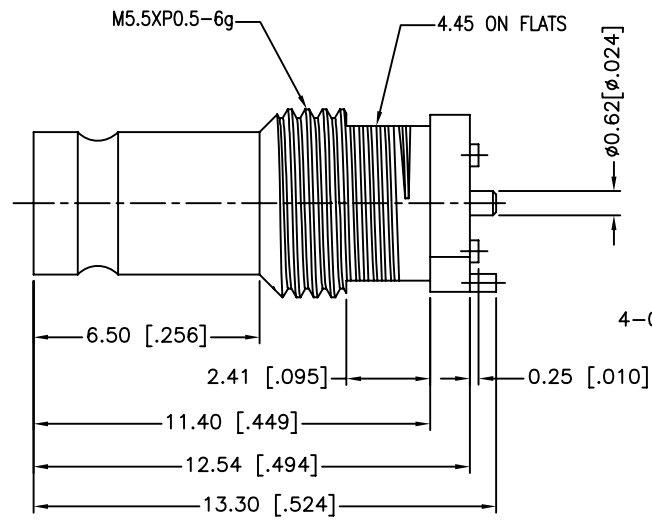
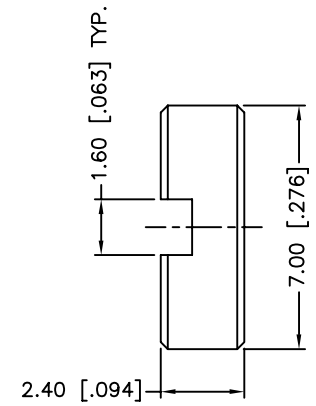


REV.	DATE	ECR NO.	DESCRIPTION
NC	03/26/10	XXXXXX	INITIAL RELEASE



SCALE 4.000



1. FREQUENCY RANGE: DC 0-3 GHz
2. VSWR(RETURN LOSS): 1.15, MAX.

4	SPANNER NUT	BRASS	GOLD	1
3	INSULATOR	PTFE	NATURAL	1
2	CONTACT PIN	BER. COPPER	GOLD	1
1	BODY	BRASS	GOLD	1
	DESCRIPTION	MATERIAL	FINISH	QTY

<small>UNLESS OTHERWISE SPECIFIED DIMENSIONS ARE IN MILLIMETERS. DIMENSIONS IN [ ] ARE IN INCHES AND FOR CUSTOMER REFERENCE ONLY.</small> <small>UNLESS OTHERWISE SPECIFIED TOLERANCES FOR MILLIMETERS ARE:  0.5 - 8mm ± 0.20mm  8 - 30mm ± 0.40mm  30 - 120mm ± 0.50mm</small> <small>UNLESS OTHERWISE SPECIFIED TOLERANCES FOR INCHES ARE:  .020 - .315 = ± 0.007"  .315 - 1.180 = ± 0.015"  1.180 - 4.724 = ± 0.020"</small>	APPROVALS	DATE
	DRAWN T.DENG	03/26/10
	CHECKED	
	ISSUED	
	SHEET 1 OF 1	
CAD FILE C:/CONNEX/282134-75.DWG	DO NOT SCALE DRAWING	

**Amphenol Connex**

PART DESCRIPTION  
**1.0/2.3/PCB RECEPTACLE SURFACE MOUNT**

PART NO.  
**282134-75**

DWG. NO. 282134-75.DWG    REV. 1    SIZE A    SCALE NA