

## Lightning arrester type 1 - FLT 35/3+1 CTRL-0.9/I - 2856317

Please be informed that the data shown in this PDF Document is generated from our Online Catalog. Please find the complete data in the user's documentation. Our General Terms of Use for Downloads are valid (<http://phoenixcontact.com/download>)



Type 1 / Class I / B arrester (lightning current arrester) with encapsulated arc chopping spark gap and ignition electronics with control lamp, 4-channel for 3 + 1 circuit. Protection level: 0.9/ 1.5 kV. Housing width: 70 mm (4 Div.)



### Key commercial data

Packing unit	1 pc
Weight per Piece (excluding packing)	737.3 GRM
Custom tariff number	85363030
Country of origin	Germany

### Technical data

#### Dimensions

Height	94 mm
Width	70.8 mm
Depth	65.5 mm
Horizontal pitch	4 Div.

#### Ambient conditions

Degree of protection	IP20
Ambient temperature (operation)	-40 °C ... 85 °C
Permissible humidity (operation)	≤ 95 %

#### General

Housing material	PA
Inflammability class according to UL 94	V0
Color	black
Standards for air and creepage distances	VDE 0110-1
	IEC 60664-1
	VDE 0675-6

# Lightning arrester type 1 - FLT 35/3+1 CTRL-0.9/I - 2856317

## Technical data

### General

	IEC 61643-1
Mounting type	DIN rail: 35 mm
Type	Rail-mountable module, one-piece
Surge protection fault message	Optical
Direction of action	3L-N & N-PE

### Protective circuit

IEC test classification	I
	T1
EN type	T1
Nominal voltage $U_N$	230 V AC (230/400 V AC ... 240/415 V AC)
	400 V AC
Maximum continuous operating voltage $U_C$	260 V
Maximum continuous operating voltage $U_C$ (L-N)	260 V AC
Maximum continuous operating voltage $U_C$ (N-PE)	260 V AC
Nominal frequency $f_N$	50 Hz
	60 Hz
Residual current $I_{PE}$	$\leq 20 \mu A$
Operating effective current $I_C$ at $U_N$	$\leq 7.5 \text{ mA}$ (3x L-N)
Nominal discharge current $I_n$ (8/20) $\mu s$ (L-N)	100 kA
Nominal discharge current $I_n$ (8/20) $\mu s$ (L-PE)	50 kA
Nominal discharge current $I_n$ (8/20) $\mu s$ (N-PE)	50 kA
Impulse discharge current (10/350) $\mu s$ charge	25 As
Impulse discharge current (10/350) $\mu s$ , specific energy	625 kJ/ $\Omega$
Impulse discharge current (10/350) $\mu s$ , peak value $I_{imp}$	50 kA
Voltage protection level $U_p$ (L-N)	$\leq 0.9 \text{ kV}$
Voltage protection level $U_p$ (N-PE)	$\leq 1.5 \text{ kV}$
Response time (L-N)	$\leq 100 \text{ ns}$
Response time (N-PE)	$\leq 100 \text{ ns}$
Max. backup fuse with branch wiring	125 A (gL)
Short-circuit resistance $I_p$ with max. backup fuse (effective)	25 kA
Short-circuit current self-quenching	3 kA (260 V / L-N)
	500 A (260 V / N-PE)
Follow current quenching capacity $I_f$ (L-N)	3 kA
Follow current quenching capacity $I_f$ (N-PE)	500 A

### Connection, protective circuit

Connection method	Screw connection
-------------------	------------------

# Lightning arrester type 1 - FLT 35/3+1 CTRL-0.9/I - 2856317

## Technical data

### Connection, protective circuit

Connection type IN	Biconnect screw terminal block
Connection type OUT	Biconnect screw terminal block
Connection method	Biconnect terminal block
Screw thread	M5
Tightening torque	4.5 Nm
Stripping length	14.5 mm
Conductor cross section stranded min.	0.5 mm <sup>2</sup>
Conductor cross section stranded max.	25 mm <sup>2</sup>
Conductor cross section solid min.	0.5 mm <sup>2</sup>
Conductor cross section solid max.	35 mm <sup>2</sup>
Conductor cross section AWG/kcmil min.	20
Conductor cross section AWG/kcmil max	2

### Standards and Regulations

Standards/regulations	IEC 61643-1 1998
	prEN 61643-1
	E DIN VDE 0675-6/A1 1996
	E DIN VDE 0675-6/A2 1996

## Classifications

### eCl@ss

eCl@ss 4.0	27140201
eCl@ss 4.1	27140201
eCl@ss 5.0	27140201
eCl@ss 5.1	27140201
eCl@ss 6.0	27140201
eCl@ss 7.0	27140201
eCl@ss 8.0	27140201

### ETIM

ETIM 2.0	EC000381
ETIM 3.0	EC000381
ETIM 4.0	EC000381
ETIM 5.0	EC000381

### UNSPSC

UNSPSC 6.01	30212010
-------------	----------

# Lightning arrester type 1 - FLT 35/3+1 CTRL-0.9/I - 2856317

## Classifications

### UNSPSC

UNSPSC 7.0901	39121610
UNSPSC 11	39121610
UNSPSC 12.01	39121610
UNSPSC 13.2	39121620

## Approvals

### Approvals

Approvals

GOST

Ex Approvals

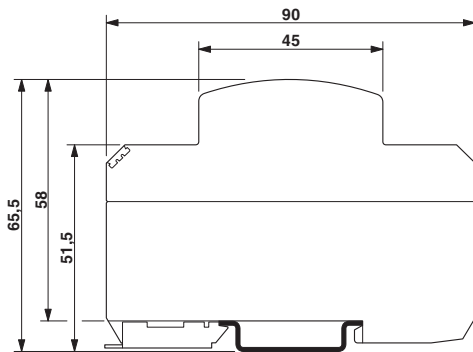
Approvals submitted

### Approval details



## Drawings

Dimensioned drawing



Circuit diagram

